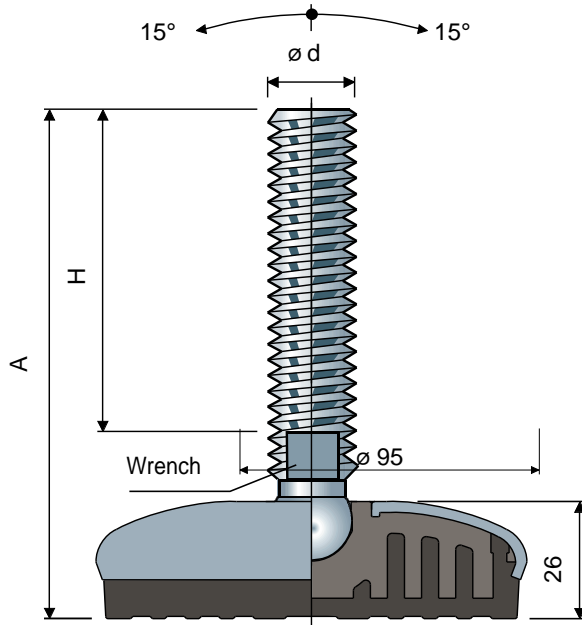


Articulated feet, sanitizable

(base in stainless steel)

Ø 95 Part. 101



Spindle measures in mm

ød	A	H	Wrench	Spindle and base in stainless steel AISI 304	
				Code	Max static load (N)
M16x2	168	125	13	101 / 83076	22000
	198	155	13	101 / 83077	
	28	205	13	101 / 83263	
M20x2,5	187	141	17	101 / 83081	24000
M24x3	198	152	19	101 / 83085	26000