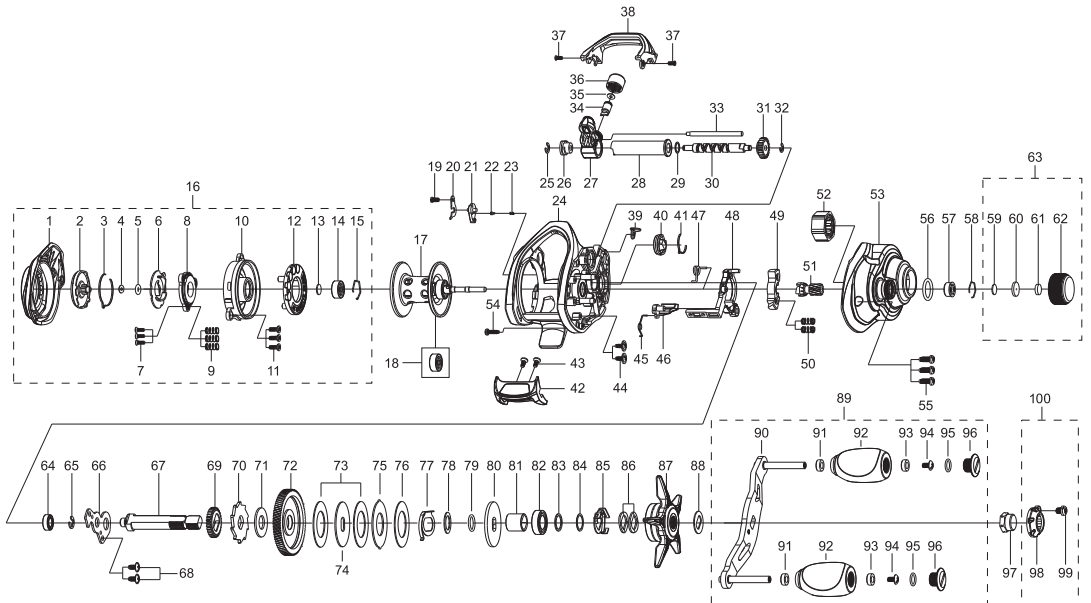
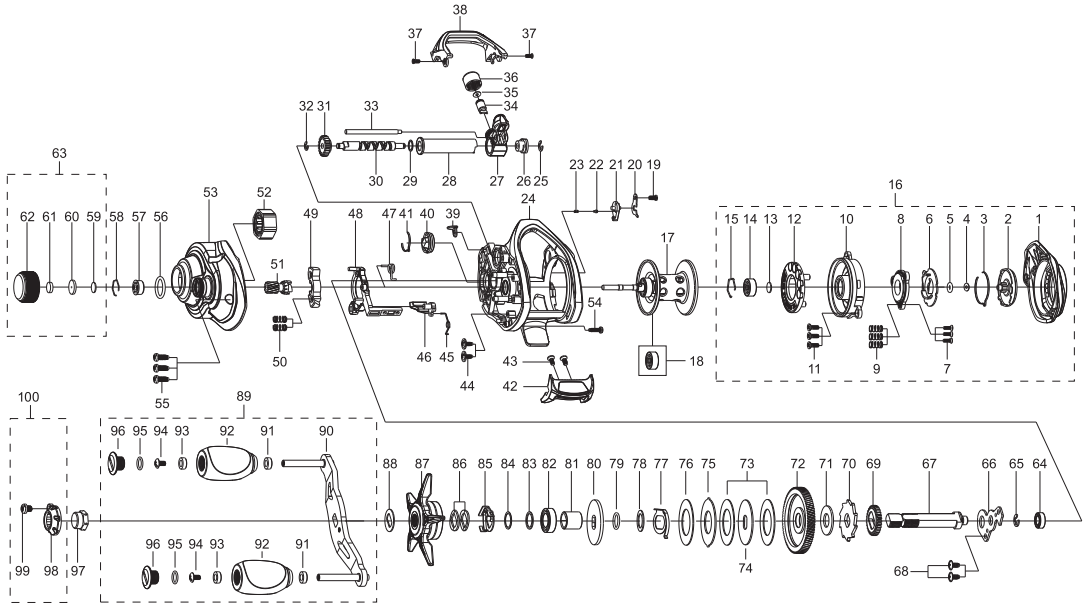


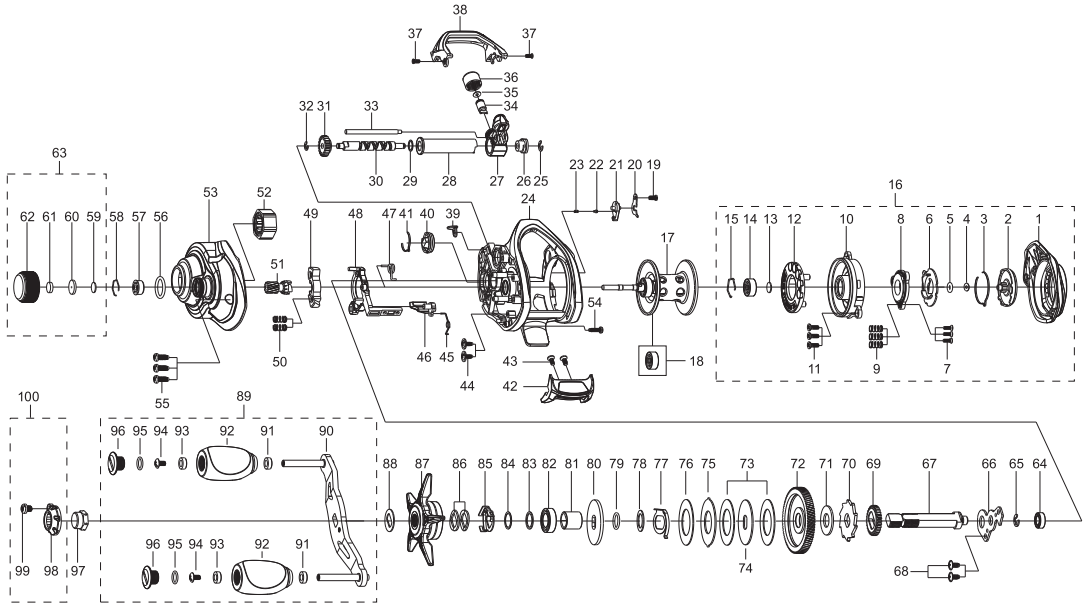
Key No.	Parts No.	Parts Name.	Key No.	Parts No.	Parts Name.
1		PALM SIDE COVER	51		PINION
2		CONTROL DIAL	52		O/WAY CLUTCH ASSY
3		LEAF SPRING	53		GEAR SIDE COVER
4		WASHER	54		TAP SCREW
5		O-RING	55		TAP SCREW
6		SLIDE CAM-A	56		O-RING
7		TAP SCREW	57		BEARING
8		SLIDE CAM	58		RING
9		COIL SPRING	59		WASHER
10		SPOOL COVER	60		COLLAR
11		TAP SCREW	61		WASHER
12		MAGNET HOLDER ASSY	62		TENSION KNOB
13		WASHER	63	700-103	TENSION KNOB ASSY
14		BALL BEARING	64		BALL BEARING
15		RING	65		RETAINER
16		PALM SIDE COVER UNIT	66		BEARING PLATE
17		SPOOL ASSY	67		GEAR METAL
18		BALL BEARING	68		SCREW
19		TAP SCREW	69		GEAR
20		PLATE	70		RATCHET
21		LEVER	71		WASHER
22		PIN	72		DRIVE GEAR
23		COIL SPRING	73		DRAG DISC-A
24		FRAME	74		DRAG D WASHER
25		RETAINER	75		WASHER-A
26		BUSH	76		DRAG DISC-A
27		LEVEL WIND ASSY	77		CLICK SPRING
28		PIPE	78		WASHER
29		WASHER	79		O-RING
30		WORM SHAFT	80		WASHER-D
31		WORM PINION	81		BUSH
32		RETAINER	82		BALL BEARING
33		PILLAR	83		WASHER
34		LEVEL WIND PIN	84		WASHER
35		WASHER	85		LEAF SPRING ASSY
36		NUT	86		SPRING WASHER
37		SCREW	87		STAR DRAG
38		FRONT SUPPORT	88	700-104	WASHER UNDER HANDLE
39		LINE STOPPER	89	700-100	HANDLE ASSY
40		LINE MEMORY KNOB	90		HANDLE ARM ASSY
41		CLICK SPRING	91		BUSH
42		THUMB BAR ASSY	92		HANDLE KNOB ASSY
43		TAP SCREW	93		BUSH
44		TAP SCREW	94		SCREW
45		SPRING	95		O-RING
46		KICK LEVER	96		HANDLE KNOB CAP
47		SPRING	97	700-101	HANDLE NUT
48		CLUTCH CAM	98		HANDLE NUT CAP
49		CLUTCH	99		SCREW
50		COIL SPRING	100	700-102	HANDLE CAP W/ SCREW



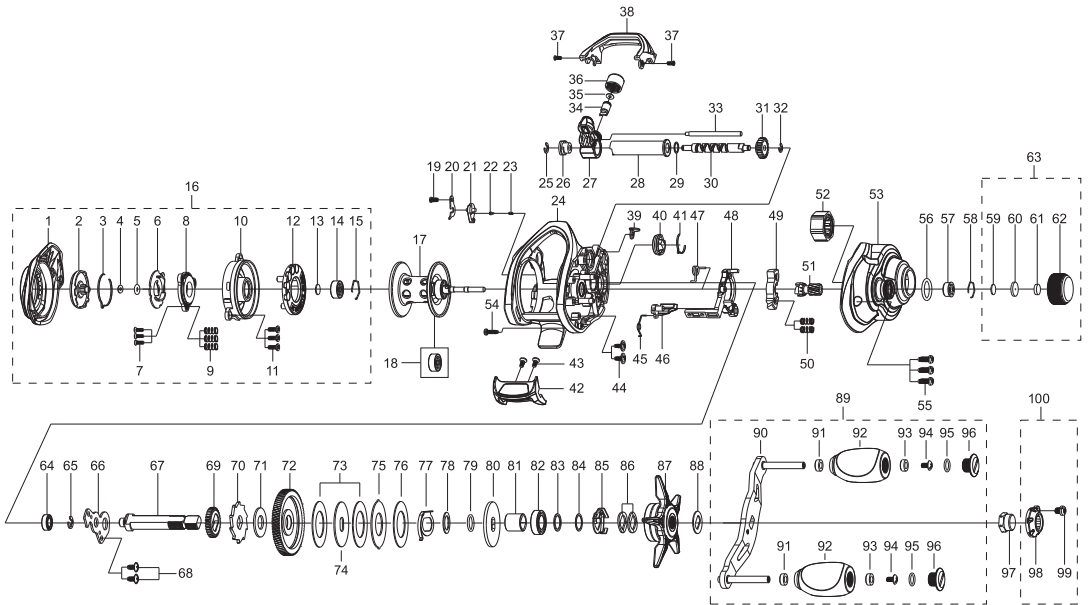
Key No.	Parts No.	Parts Name.	Key No.	Parts No.	Parts Name.
1		PALM SIDE COVER	51		PINION
2		CONTROL DIAL	52		O/WAY CLUTCH ASSY
3		LEAF SPRING	53		GEAR SIDE COVER
4		WASHER	54		TAP SCREW
5		O-RING	55		TAP SCREW
6		SLIDE CAM-A	56		O-RING
7		TAP SCREW	57		BEARING
8		SLIDE CAM	58		RING
9		COIL SPRING	59		WASHER
10		SPOOL COVER	60		COLLAR
11		TAP SCREW	61		WASHER
12		MAGNET HOLDER ASSY	62		TENSION KNOB
13		WASHER	63		TENSION KNOB ASSY
14		BALL BEARING	64	700-103	BALL BEARING
15		RING	65		RETAINER
16		PALM SIDE COVER UNIT	66		BEARING PLATE
17		SPOOL ASSY	67		GEAR METAL
18		BALL BEARING	68		SCREW
19		TAP SCREW	69		GEAR
20		PLATE	70		RATCHET
21		LEVER	71		WASHER
22		PIN	72		DRIVE GEAR
23		COIL SPRING	73		DRAG DISC-A
24		FRAME	74		DRAG D WASHER
25		RETAINER	75		WASHER-A
26		BUSH	76		WASHER-A
27		LEVEL WIND ASSY	77		DRAG DISC-A
28		PIPE	78		CLICK SPRING
29		WASHER	79		WASHER
30		WORM SHAFT	80		O-RING
31		WORM PINION	81		WASHER-D
32		RETAINER	82		BUSH
33		PILLAR	83		BALL BEARING
34		LEVEL WIND PIN	84		WASHER
35		WASHER	85		WASHER
36		NUT	86		WASHER
37		SCREW	87		LEAF SPRING ASSY
38		FRONT SUPPORT	88		SPRING WASHER
39		LINE STOPPER	89	700-104	STAR DRAG
40		LINE MEMORY KNOB	90	700-100	WASHER UNDER HANDLE
41		CLICK SPRING	91		HANDLE ASSY
42		THUMB BAR ASSY	92		HANDLE ARM ASSY
43		TAP SCREW	93		BUSH
44		TAP SCREW	94		HANDLE KNOB ASSY
45		SPRING	95		BUSH
46		KICK LEVER	96		SCREW
47		SPRING	97		O-RING
48		CLUTCH CAM	98		O-RING
49		CLUTCH	99	700-101	HANDLE KNOB CAP
50		COIL SPRING	100	700-102	HANDLE NUT
					HANDLE NUT CAP
					SCREW
					HANDLE CAP W/ SCREW



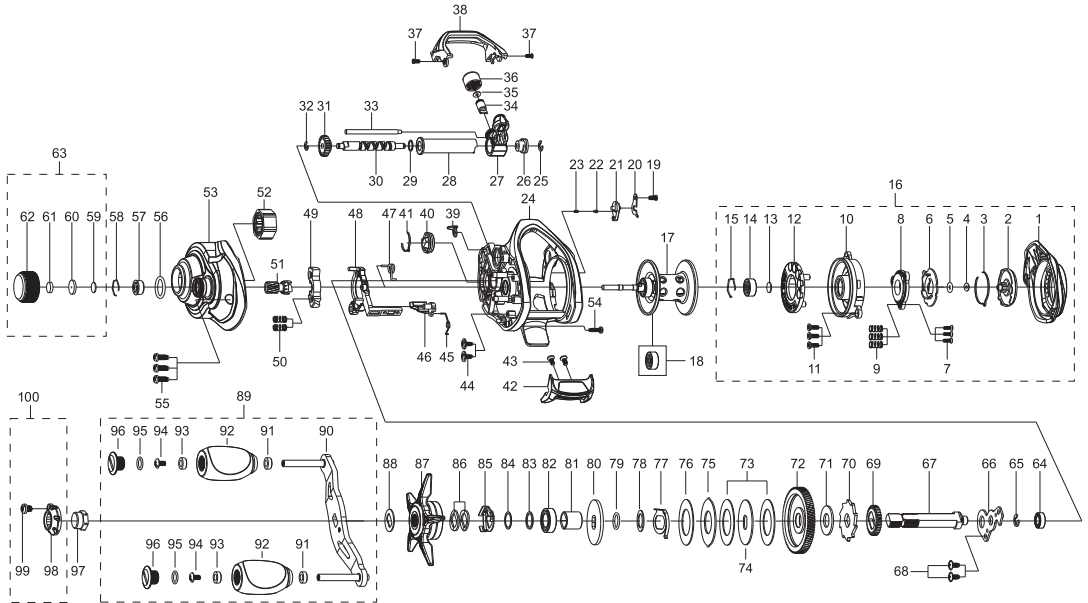
Key No.	Parts No.	Parts Name.	Key No.	Parts No.	Parts Name.
1		PALM SIDE COVER	51		PINION
2		CONTROL DIAL	52		O/WAY CLUTCH ASSY
3		LEAF SPRING	53		GEAR SIDE COVER
4		WASHER	54		TAP SCREW
5		O-RING	55		TAP SCREW
6		SLIDE CAM-A	56		O-RING
7		TAP SCREW	57		BEARING
8		SLIDE CAM	58		RING
9		COIL SPRING	59		WASHER
10		SPOOL COVER	60		COLLAR
11		TAP SCREW	61		WASHER
12		MAGNET HOLDER ASSY	62		TENSION KNOB
13		WASHER	63	700-103	TENSION KNOB ASSY
14		BALL BEARING	64		BALL BEARING
15		RING	65		RETAINER
16		PALM SIDE COVER UNIT	66		BEARING PLATE
17		SPOOL ASSY	67		GEAR METAL
18		BALL BEARING	68		SCREW
19		TAP SCREW	69		GEAR
20		PLATE	70		RATCHET
21		LEVER	71		WASHER
22		PIN	72		DRIVE GEAR
23		COIL SPRING	73		DRAG DISC-A
24		FRAME	74		DRAG D WASHER
25		RETAINER	75		WASHER-A
26		BUSH	76		DRAG DISC-A
27		LEVEL WIND ASSY	77		CLICK SPRING
28		PIPE	78		WASHER
29		WASHER	79		O-RING
30		WORM SHAFT	80		WASHER-D
31		WORM PINION	81		BUSH
32		RETAINER	82		BALL BEARING
33		PILLAR	83		WASHER
34		LEVEL WIND PIN	84		WASHER
35		WASHER	85		LEAF SPRING ASSY
36		NUT	86		SPRING WASHER
37		SCREW	87		STAR DRAG
38		FRONT SUPPORT	88	700-104	WASHER UNDER HANDLE
39		LINE STOPPER	89	700-100	HANDLE ASSY
40		LINE MEMORY KNOB	90		HANDLE ARM ASSY
41		CLICK SPRING	91		BUSH
42		THUMB BAR ASSY	92		HANDLE KNOB ASSY
43		TAP SCREW	93		BUSH
44		TAP SCREW	94		SCREW
45		SPRING	95		O-RING
46		KICK LEVER	96		HANDLE KNOB CAP
47		SPRING	97	700-101	HANDLE NUT
48		CLUTCH CAM	98		HANDLE NUT CAP
49		CLUTCH	99		SCREW
50		COIL SPRING	100	700-102	HANDLE CAP W/ SCREW



Key No.	Parts No.	Parts Name.	Key No.	Parts No.	Parts Name.
1		PALM SIDE COVER	51		PINION
2		CONTROL DIAL	52		O/WAY CLUTCH ASSY
3		LEAF SPRING	53		GEAR SIDE COVER
4		WASHER	54		TAP SCREW
5		O-RING	55		TAP SCREW
6		SLIDE CAM-A	56		O-RING
7		TAP SCREW	57		BEARING
8		SLIDE CAM	58		RING
9		COIL SPRING	59		WASHER
10		SPOOL COVER	60		COLLAR
11		TAP SCREW	61		WASHER
12		MAGNET HOLDER ASSY	62		TENSION KNOB
13		WASHER	63	700-103	TENSION KNOB ASSY
14		BALL BEARING	64		BALL BEARING
15		RING	65		RETAINER
16		PALM SIDE COVER UNIT	66		BEARING PLATE
17		SPOOL ASSY	67		GEAR METAL
18		BALL BEARING	68		SCREW
19		TAP SCREW	69		GEAR
20		PLATE	70		RATCHET
21		LEVER	71		WASHER
22		PIN	72		DRIVE GEAR
23		COIL SPRING	73		DRAG DISC-A
24		FRAME	74		DRAG D WASHER
25		RETAINER	75		WASHER-A
26		BUSH	76		DRAG DISC-A
27		LEVEL WIND ASSY	77		CLICK SPRING
28		PIPE	78		WASHER
29		WASHER	79		O-RING
30		WORM SHAFT	80		WASHER-D
31		WORM PINION	81		BUSH
32		RETAINER	82		BALL BEARING
33		PILLAR	83		WASHER
34		LEVEL WIND PIN	84		WASHER
35		WASHER	85		LEAF SPRING ASSY
36		NUT	86		SPRING WASHER
37		SCREW	87		STAR DRAG
38		FRONT SUPPORT	88	700-104	WASHER UNDER HANDLE
39		LINE STOPPER	89	700-100	HANDLE ASSY
40		LINE MEMORY KNOB	90		HANDLE ARM ASSY
41		CLICK SPRING	91		BUSH
42		THUMB BAR ASSY	92		HANDLE KNOB ASSY
43		TAP SCREW	93		BUSH
44		TAP SCREW	94		SCREW
45		SPRING	95		O-RING
46		KICK LEVER	96		HANDLE KNOB CAP
47		SPRING	97	700-101	HANDLE NUT
48		CLUTCH CAM	98		HANDLE NUT CAP
49		CLUTCH	99		SCREW
50		COIL SPRING	100	700-102	HANDLE CAP W/ SCREW



Key No.	Parts No.	Parts Name.	Key No.	Parts No.	Parts Name.
1		PALM SIDE COVER	51		PINION
2		CONTROL DIAL	52		O/WAY CLUTCH ASSY
3		LEAF SPRING	53		GEAR SIDE COVER
4		WASHER	54		TAP SCREW
5		O-RING	55		O-RING
6		SLIDE CAM-A	56		O-RING
7		TAP SCREW	57		BEARING
8		SLIDE CAM	58		RING
9		COIL SPRING	59		WASHER
10		SPOOL COVER	60		COLLAR
11		TAP SCREW	61		WASHER
12		MAGNET HOLDER ASSY	62		TENSION KNOB
13		WASHER	63	700-103	TENSION KNOB ASSY
14		BALL BEARING	64		BALL BEARING
15		RING	65		RETAINER
16		PALM SIDE COVER UNIT	66		BEARING PLATE
17		SPOOL ASSY	67		GEAR METAL
18		BALL BEARING	68		SCREW
19		TAP SCREW	69		GEAR
20		PLATE	70		RATCHET
21		LEVER	71		WASHER
22		PIN	72		DRIVE GEAR
23		COIL SPRING	73		DRAG DISC-A
24		FRAME	74		DRAG D WASHER
25		RETAINER	75		WASHER-A
26		BUSH	76		DRAG DISC-A
27		LEVEL WIND ASSY	77		CLICK SPRING
28		PIPE	78		WASHER
29		WASHER	79		O-RING
30		WORM SHAFT	80		WASHER-D
31		WORM PINION	81		BUSH
32		RETAINER	82		BALL BEARING
33		PILLAR	83		WASHER
34		LEVEL WIND PIN	84		WASHER
35		WASHER	85		LEAF SPRING ASSY
36		NUT	86		SPRING WASHER
37		SCREW	87		STAR DRAG
38		FRONT SUPPORT	88	700-104	WASHER UNDER HANDLE
39		LINE STOPPER	89	700-100	HANDLE ASSY
40		LINE MEMORY KNOB	90		HANDLE ARM ASSY
41		CLICK SPRING	91		BUSH
42		THUMB BAR ASSY	92		HANDLE KNOB ASSY
43		TAP SCREW	93		BUSH
44		TAP SCREW	94		SCREW
45		SPRING	95		O-RING
46		KICK LEVER	96		HANDLE KNOB CAP
47		SPRING	97	700-101	HANDLE NUT
48		CLUTCH CAM	98		HANDLE NUT CAP
49		CLUTCH	99		SCREW
50		COIL SPRING	100	700-102	HANDLE CAP W/ SCREW



Key No.	Parts No.	Parts Name.	Key No.	Parts No.	Parts Name.
1		PALM SIDE COVER	51		PINION
2		CONTROL DIAL	52		O/WAY CLUTCH ASSY
3		LEAF SPRING	53		GEAR SIDE COVER
4		WASHER	54		TAP SCREW
5		O-RING	55		TAP SCREW
6		SLIDE CAM-A	56		O-RING
7		TAP SCREW	57		BEARING
8		SLIDE CAM	58		RING
9		COIL SPRING	59		WASHER
10		SPOOL COVER	60		COLLAR
11		TAP SCREW	61		WASHER
12		MAGNET HOLDER ASSY	62		TENSION KNOB
13		WASHER	63	700-103	TENSION KNOB ASSY
14		BALL BEARING	64		BALL BEARING
15		RING	65		RETAINER
16		PALM SIDE COVER UNIT	66		BEARING PLATE
17		SPOOL ASSY	67		GEAR METAL
18		BALL BEARING	68		SCREW
19		TAP SCREW	69		GEAR
20		PLATE	70		RATCHET
21		LEVER	71		WASHER
22		PIN	72		DRIVE GEAR
23		COIL SPRING	73		DRAG DISC-A
24		FRAME	74		DRAG D WASHER
25		RETAINER	75		WASHER-A
26		BUSH	76		DRAG DISC-A
27		LEVEL WIND ASSY	77		CLICK SPRING
28		PIPE	78		WASHER
29		WASHER	79		O-RING
30		WORM SHAFT	80		WASHER-D
31		WORM PINION	81		BUSH
32		RETAINER	82		BALL BEARING
33		PILLAR	83		WASHER
34		LEVEL WIND PIN	84		WASHER
35		WASHER	85		LEAF SPRING ASSY
36		NUT	86		SPRING WASHER
37		SCREW	87		STAR DRAG
38		FRONT SUPPORT	88	700-104	WASHER UNDER HANDLE
39		LINE STOPPER	89	700-100	HANDLE ASSY
40		LINE MEMORY KNOB	90		HANDLE ARM ASSY
41		CLICK SPRING	91		BUSH
42		THUMB BAR ASSY	92		HANDLE KNOB ASSY
43		TAP SCREW	93		BUSH
44		TAP SCREW	94		SCREW
45		SPRING	95		O-RING
46		KICK LEVER	96		HANDLE KNOB CAP
47		SPRING	97	700-101	HANDLE NUT
48		CLUTCH CAM	98		HANDLE NUT CAP
49		CLUTCH	99		SCREW
50		COIL SPRING	100	700-102	HANDLE CAP W/ SCREW