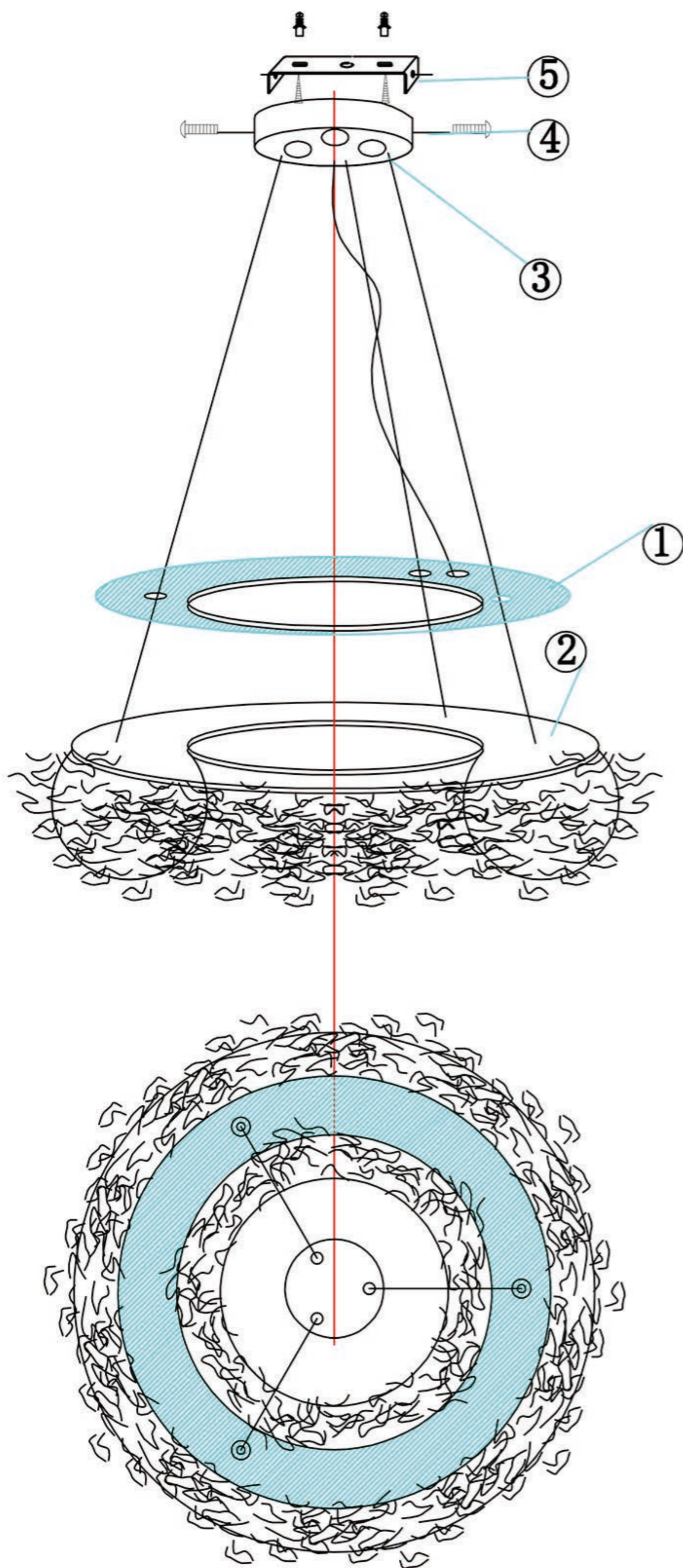


Installation Instructions

SKU:FPL002

Dear user: Thank you for using this product. Please read the instructions carefully for installation.



Installation Instructions:

1. Pick up the acrylic board;
2. Twist the bulb over the end of the lamp;
3. Insert 3 wires into 3 holes;
4. Connect the power supply. Fix the lamp plate on the hanging board with a screwdriver;
5. Fix the hanging board to the ceiling.

VAXLAMP