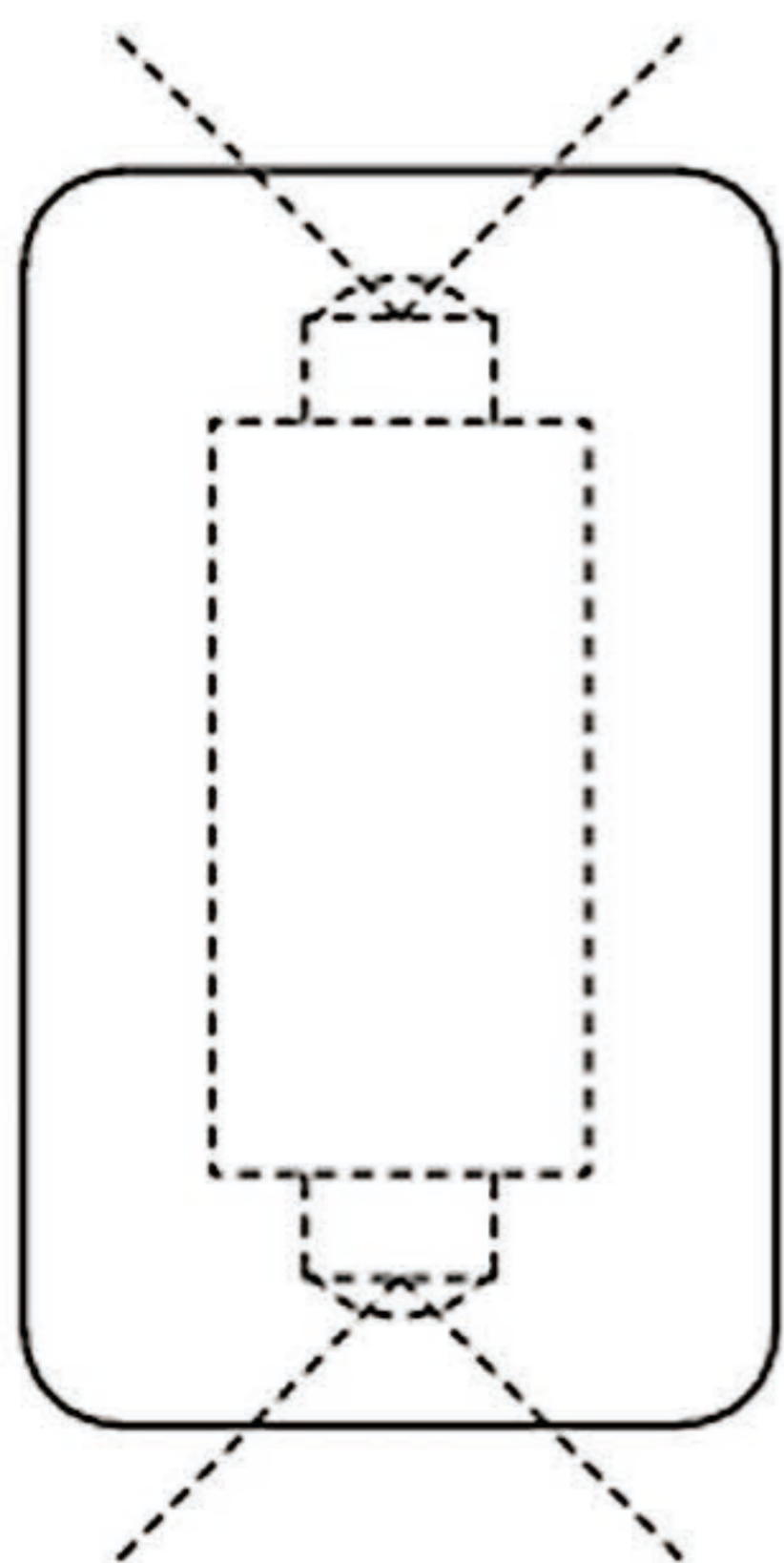
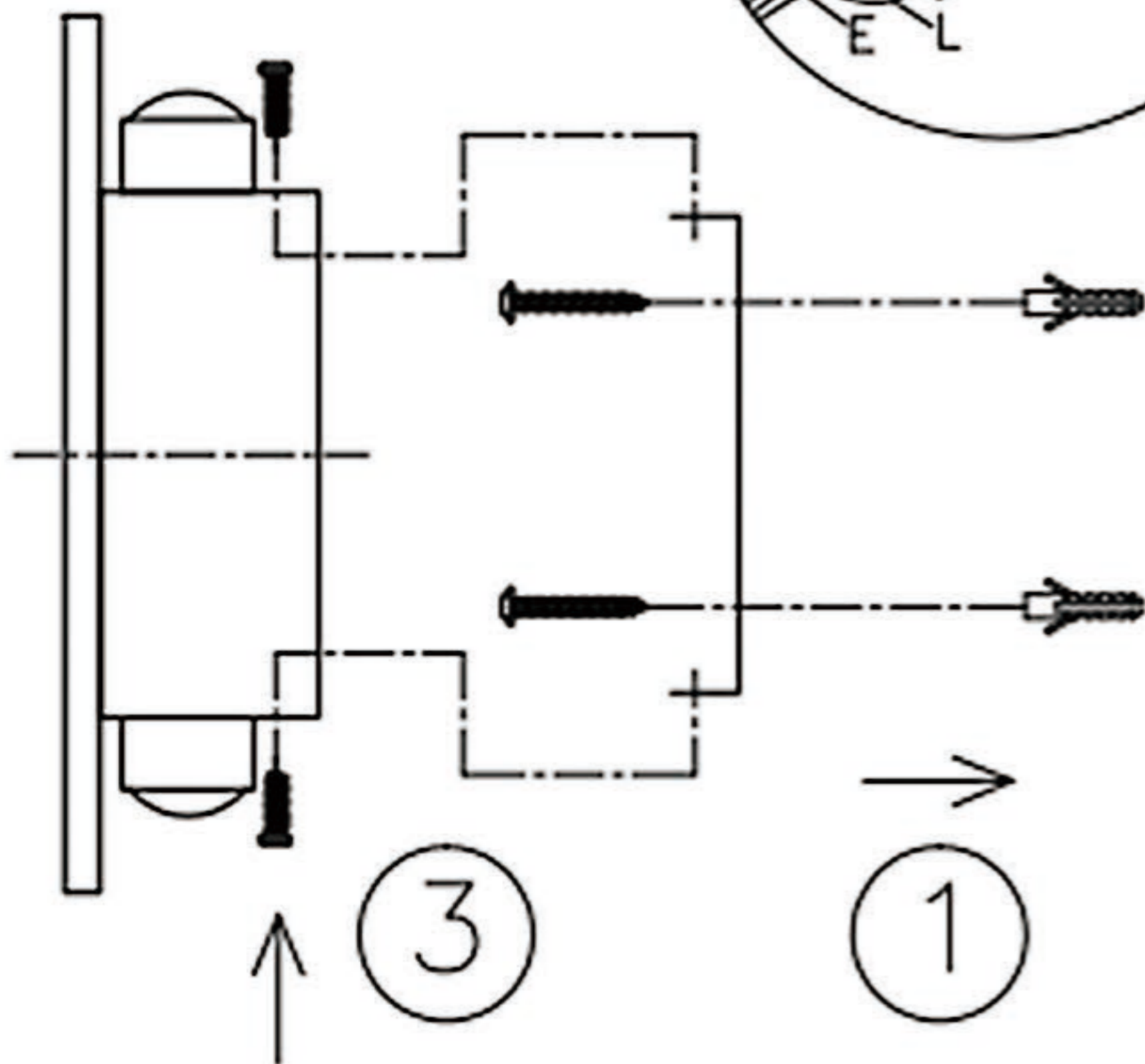
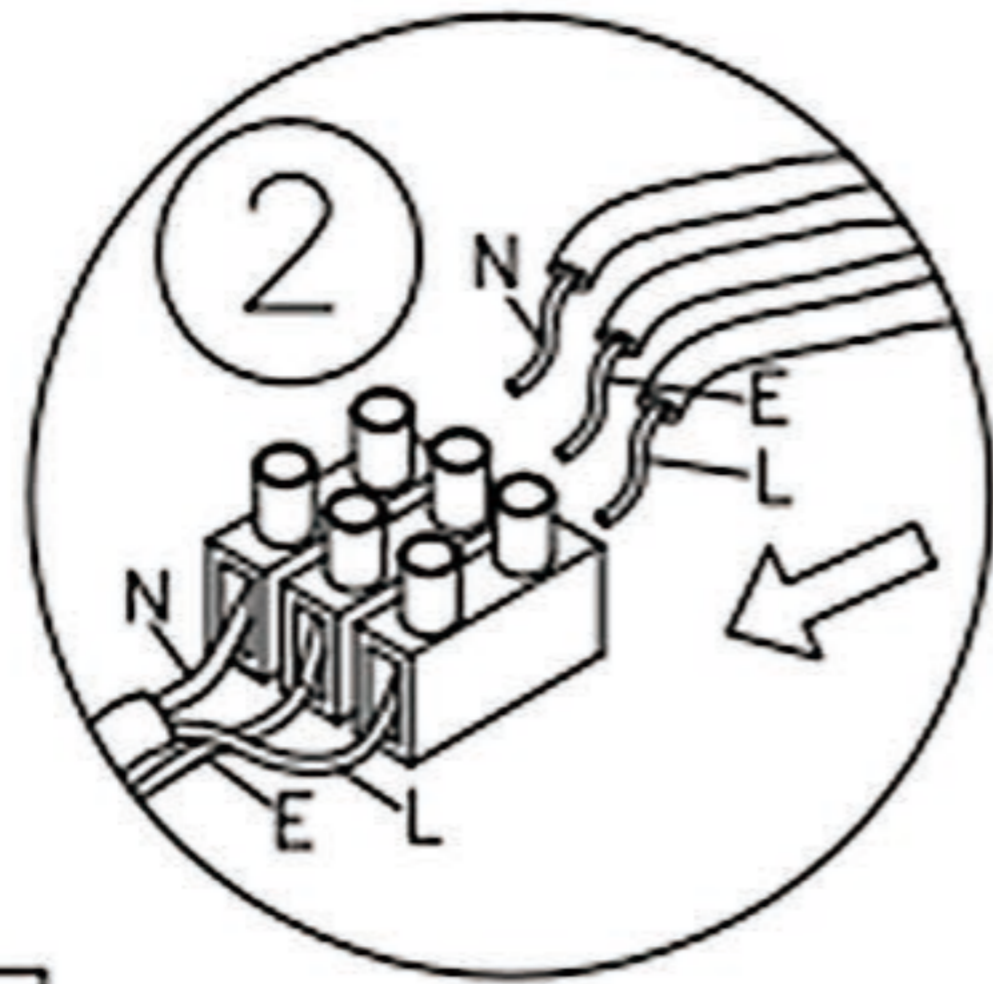


Installation Instructions

SKU: AWL009

Dear user: Thank you for using this product. Please read the instructions carefully for installation.



Model: LED wall lamp

Light source: LED 6W

Voltage: 110-240V

Installation Instructions:

1. Use adhesive particles and self tapping screws to install the hanging plate to the wall.
2. Connect the power cord.
3. Fix the lamp body with a screwdriver to the hangingplate.

VAXLAMP