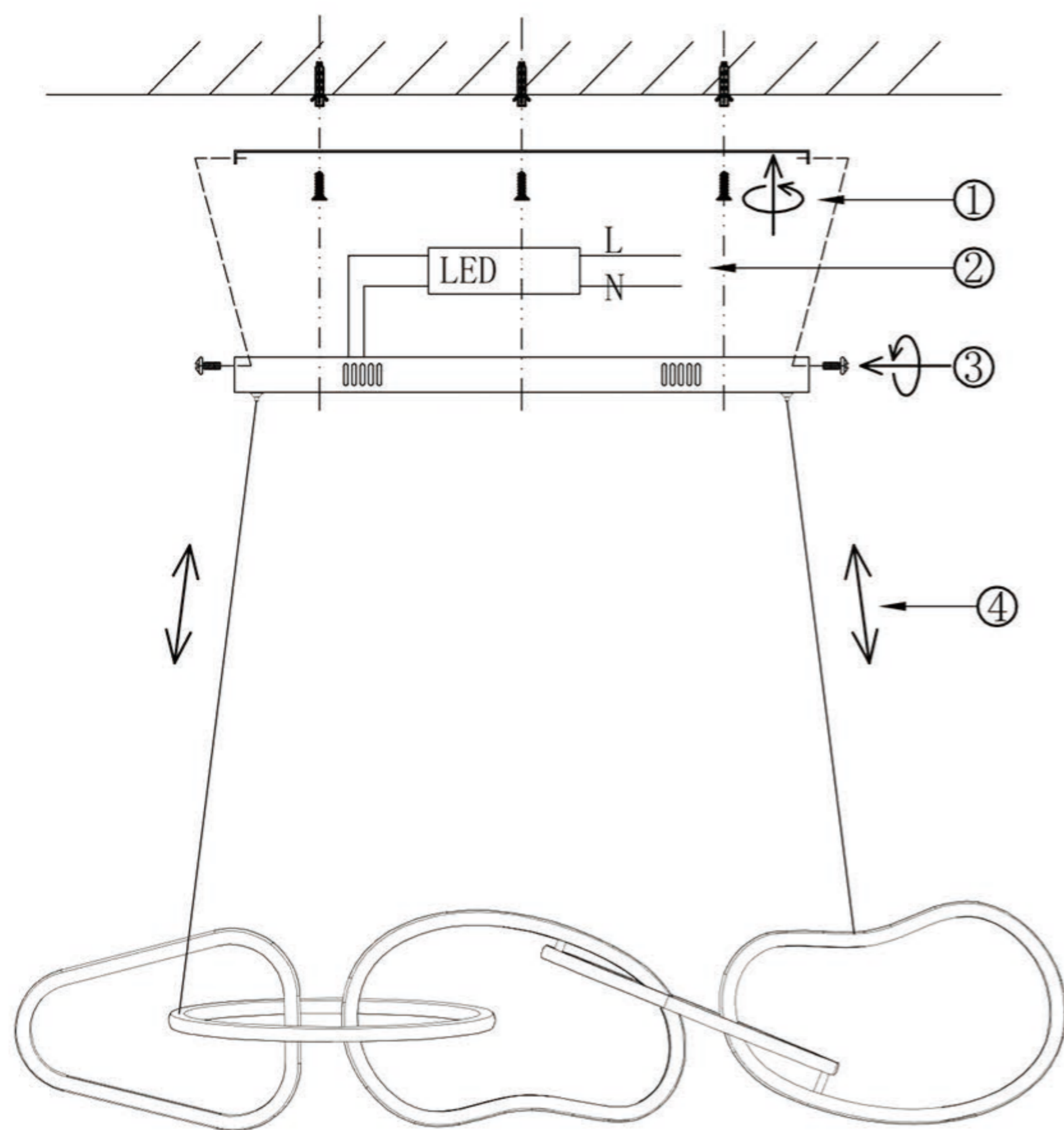


# Installation Instructions

SKU: ACL013

*Dear user: Thank you for using this product. Please read the instructions carefully for installation.*



## Precautions:

1. This light can only be used indoors;
2. Do not turn on the power before the lamp is assembled;
3. To replace the bulb, cut off the power supply and wait for the bulb;

Voltage: 110-240V

Light source: LED strip

Frequency: 50/60HZ

## Caveat :

Please do not use corrosive drugs such as gasoline or alcohol to clean the lamp, otherwise it will damage the lamp.

Repair and maintenance:

In order to use this product safely and efficiently, please clean the lamp regularly (once a month).

Before cleaning, turn off the power and wait for the lamp body to cool to room temperature before wiping it with a soft cloth dampened with water and wringing dry.

**VAXLAMP**