

**PCB with harness for elevation & oscilation & battery test connected**

**10A  
breaker**

**15A  
breaker**

**10A  
breaker**

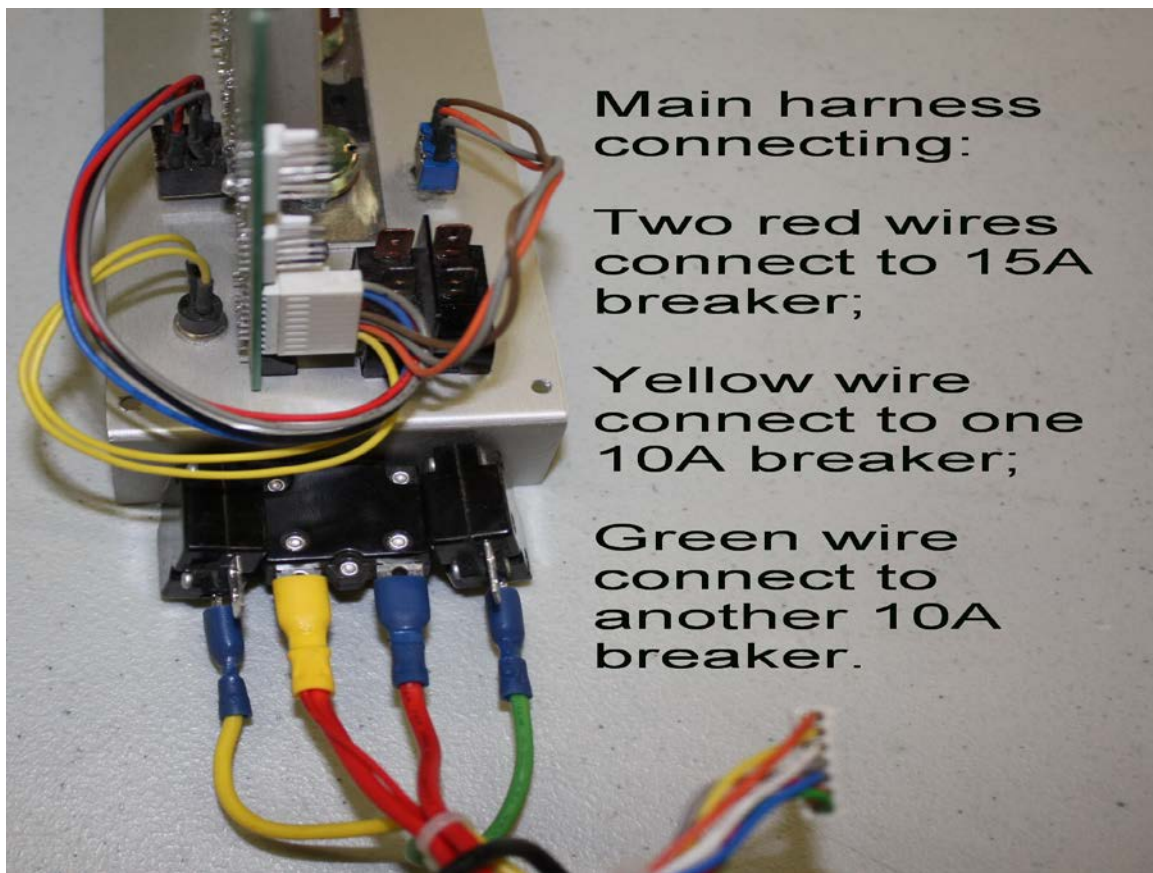


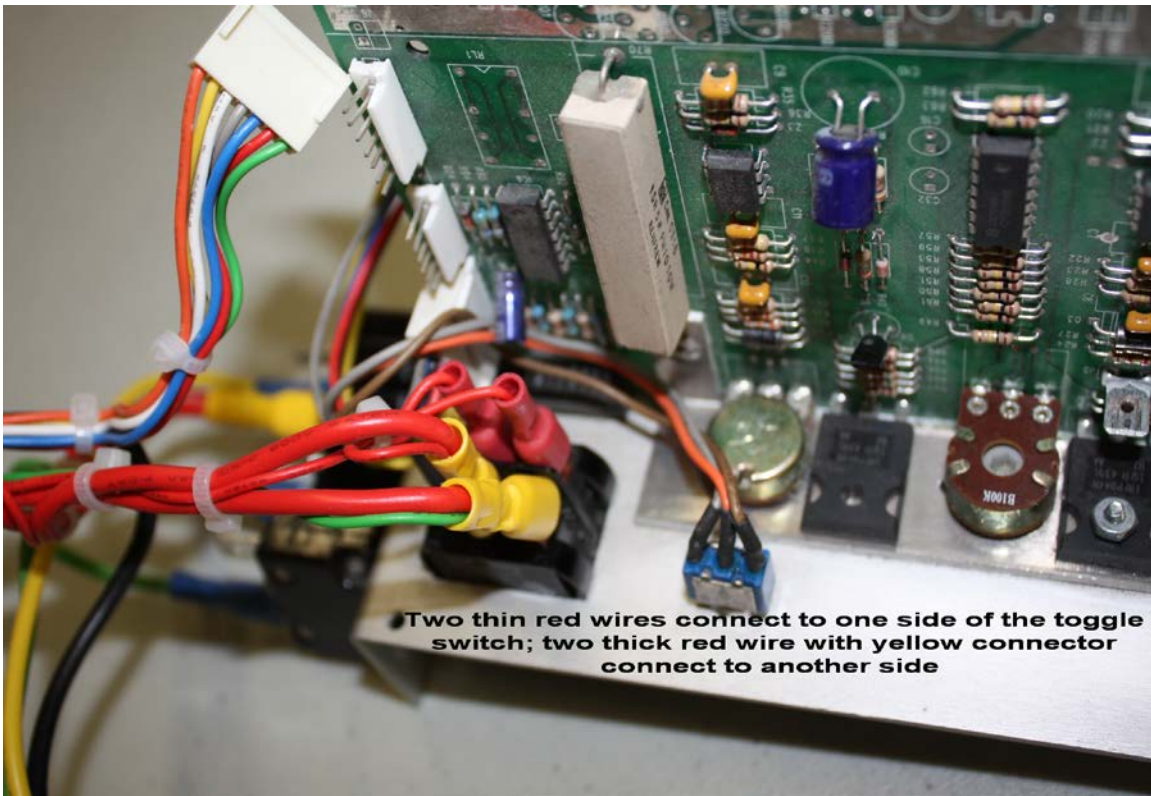
**Main harness  
connecting:**

**Two red wires  
connect to 15A  
breaker;**

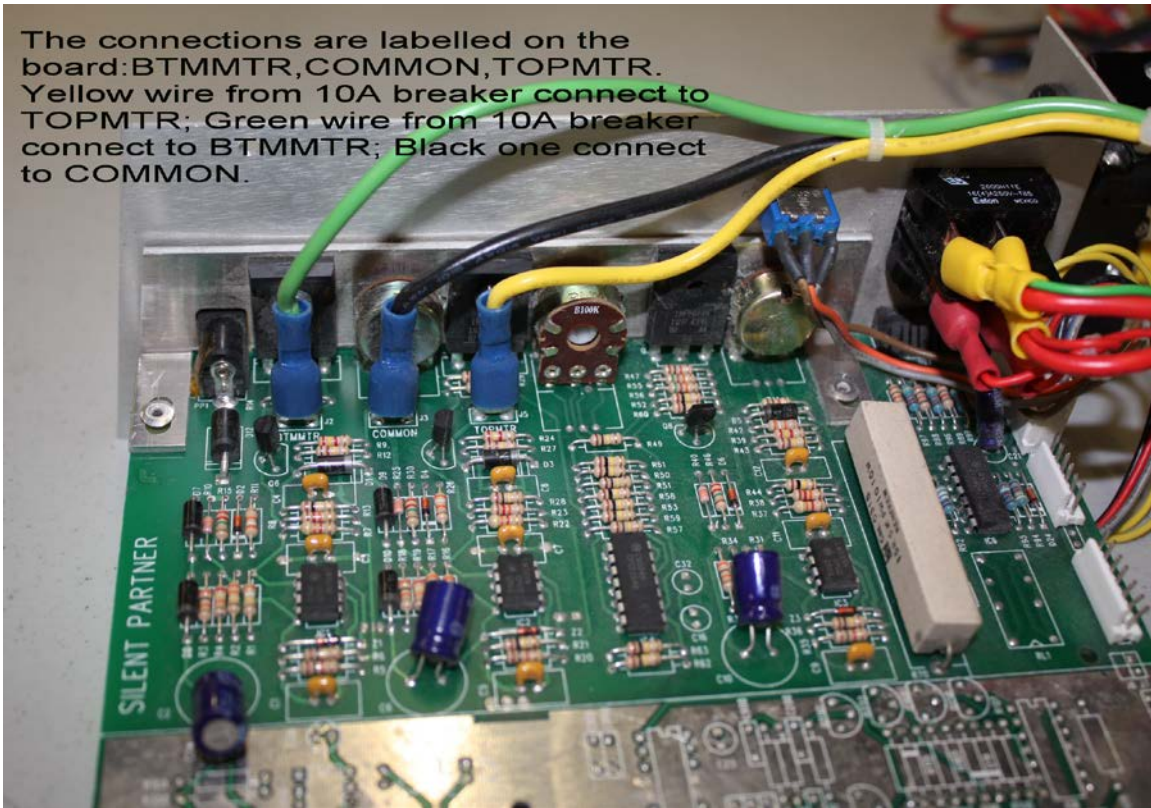
**Yellow wire  
connect to one  
10A breaker;**

**Green wire  
connect to  
another 10A  
breaker.**



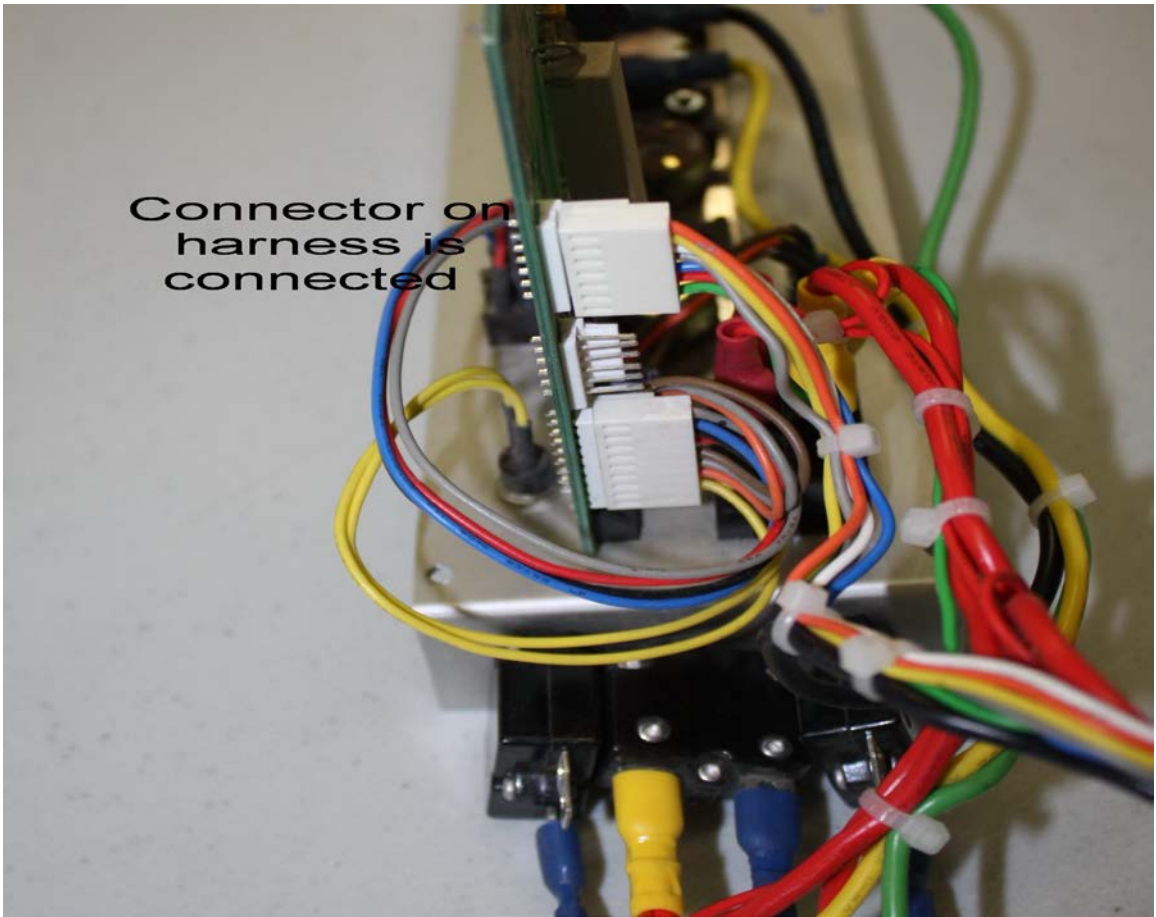


**Two thin red wires connect to one side of the toggle switch; two thick red wire with yellow connector connect to another side**

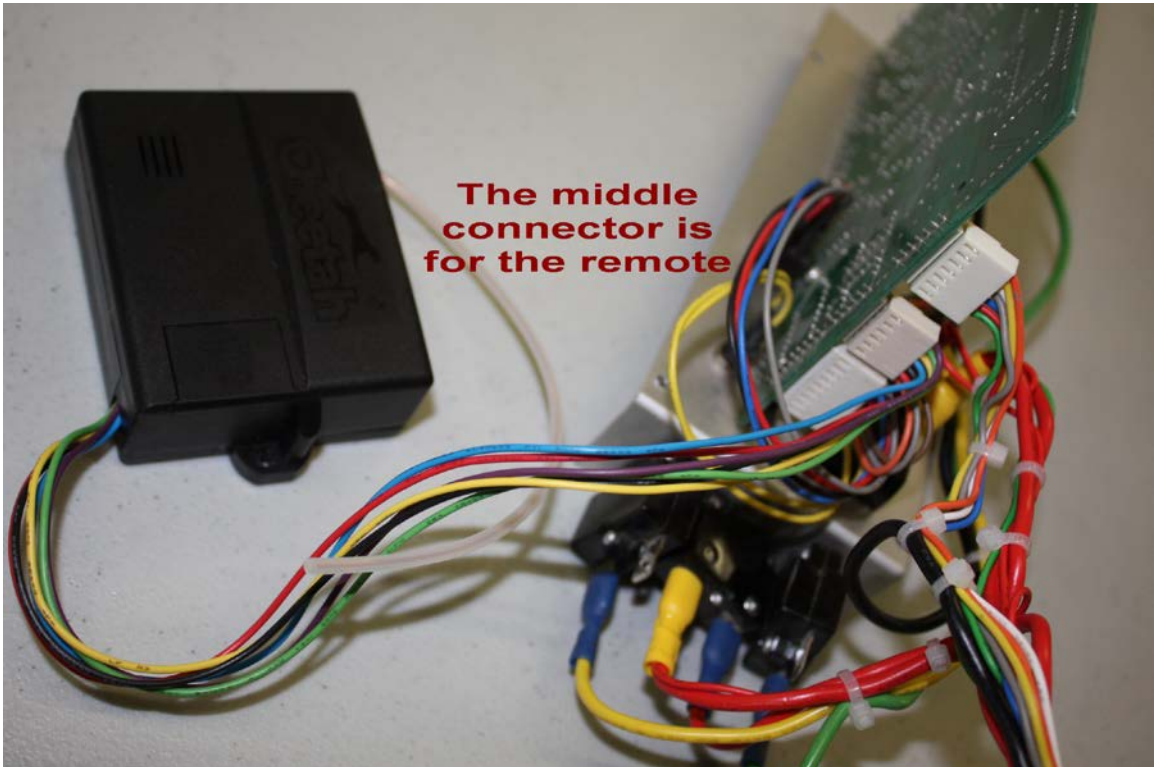


**The connections are labelled on the board:BTMMTR,COMMON, TOPMTR. Yellow wire from 10A breaker connect to TOPMTR; Green wire from 10A breaker connect to BTMMTR; Black one connect to COMMON.**





Connector on  
harness is  
connected



The middle  
connector is  
for the remote

