



PD6200/95

High Output Two-Way Mid/High Frequency Loudspeaker

PD SERIES
precision directivity

Key Features:

- ▶ High power 200 mm (8 in) dual-coil CMCD™ Cone Midrange Compression Driver provides high sensitivity and high continuous SPL capability along with low distortion, extended bandwidth and improved phase coherence.
- ▶ Large format neodymium HF driver provides clear, intelligible high frequency projection.
- ▶ Large PT™ Progressive Transition™ waveguides provide consistent 90° x 50° pattern control, low distortion at high SPL levels and smooth frequency response.
- ▶ Rotatable mid and high frequency waveguides allow either horizontal or vertical cabinet orientation.
- ▶ Sophisticated, steep-slope passive crossover network with switchable bi-amp/passive crossover modes.

Applications:

- ▶ Performing arts facilities
- ▶ Live theaters
- ▶ Auditoriums
- ▶ Houses of worship
- ▶ Dance clubs
- ▶ Sports facilities

PD6200/95 is a Precision Directivity™ 90° by 50° mid-high frequency loudspeaker designed for applications requiring high output capability with excellent pattern control.

The CMCD-82H cone midrange compression driver consists of a driver/phasing plug assembly providing high output with low distortion. CMCD-82H's extended response allows for smoother transition to the high frequency driver and the smaller entrance diameter into the waveguide provides for better pattern control. The integral 200 mm (8 inch) driver features a high power Differential Drive® dual voice coil design. The 2432H large format high frequency compression driver utilizes a neodymium magnet and aluminum diaphragm to deliver clear and intelligible high frequency projection, extended frequency response, and low distortion at even the highest drive levels.

Large PT Progressive Transition waveguides achieve an optimum balance of extremely well controlled coverage with low distortion, smooth frequency response, and natural sound character. The waveguides are rotatable for cabinet positioning in either horizontal or vertical orientation. A high-slope crossover network minimizes band overlap and the resulting well-controlled off-axis response enhances arrayability.

The loudspeaker can be operated in either bi-amplified or in full passive mode. Input connectors include both Speakon® and CE-compliant covered barrier strip for hookup versatility. The cabinet is fitted with twenty M10 threaded suspension points, supporting a wide variety of installation approaches.

PD6200/95 is part of JBL's broad lineup of installed sound loudspeakers, complementing the larger PD700 mid-high cabinets with a more compact size and supplementing the smaller AE Series cabinets with higher SPL capability and larger horns for pattern control to a lower frequency.



Specifications:

Frequency Range ¹ (-10 dB):	200 Hz to 17 kHz
Frequency Response ¹ (±3 dB):	240 Hz to 15 kHz
Coverage Pattern:	90° x 50°
Directivity Factor (Q):	10.5
Directivity Index (DI):	10.2 dB
Crossover Modes:	Bi-amp/Passive switchable
Passive Crossover:	1.5 kHz
Transducer Power Ratings (AES):	MF: 350 W (1400 W peak), 100 hrs HF: 75 W (300 W peak), 2 hrs
Long-Term System Power Rating (IEC):	Passive Mode: 300 W (1200 W peak), 100 hrs.
Maximum SPL:	Bi-amp mode: MF: 134 dB-SPL cont avg (140 dB peak) HF: 133 dB-SPL cont avg (139 dB peak) Passive mode: 133 dB-SPL cont avg (139 dB peak)
System Sensitivity (1W @ 1m):	Passive Mode: 109 dB-SPL
Transducers:	
Mid Frequency Driver:	CMCD-82H cone mid-range compression driver with integral 200 mm (8 in) diameter Differential Drive® dual voice coil driver
Nominal Impedance:	8 ohms
Sensitivity* (1W, 1m within operational band):	109 dB-SPL
High Frequency Driver:	2432H, 38 mm (1.5 in) exit compression driver with 75 mm (3 in) voice coil
Nominal Impedance:	8 ohms
Sensitivity* (1W @ 1m):	114 dB-SPL
Waveguides:	MF: PT-N95MF-1 600 x 600 mm (24 x 24 in) HF: PT-H95HF-1 300 x 300 mm (12 x 12 in)
Physical:	
Enclosure:	Trapezoidal with 15 degree side angles, 16 mm (5/8 in) exterior grade 11-ply Finnish birch plywood.
Suspension Attachment:	20 points (5 top, 5 bottom, 4 each side, 2 rear), M10 threaded hardware (eyebolts NOT included, see optional accessories).
Finish:	Black DuraFlex™ finish. White (-WH) available upon request.
Optional Weather Resistant Versions:	WRC for outdoor placement where the loudspeaker will be sheltered from direct exposure to the elements. WRX for direct exposure or extreme environments, such as tropical or beach, or in areas with salt air, extreme high humidity or rapid changes in temperature. See WRC/WRX configuration sheet for details.
Grille:	Powder coated 14 gauge perforated steel, acoustically transparent foam backing (grille cloth backing on white units)
Input Connectors:	Neutrik Speakon® NL4, plus CE-compliant covered barrier strip terminals. Barrier terminals accept up to 5.2 sq mm (10 AWG) wire or max width 9 mm (.375 in) spade lugs. Speakon in parallel with barrier strip for loop-through.
Environmental Specifications:	Mil-Std 810; IP-x3 per IEC529. For higher environmental ratings, use WRC or WRX.
Dimensions (H x W x D in vertical orientation):	991 x 673 x 706 mm (39.0 x 26.5 x 27.8 in)
Net Weight:	58.8 kg (130 lb)
Optional Accessories:	229-00009-01 kit of three M10 x 35 mm forged shoulder steel eyebolts.

¹ In bi-amp mode, with recommended active tuning.

² Resultant engineered acoustical response of crossover network and components.

³ AES standard, one decade pink noise with 6 dB crest factor within device's operational band, free air. Standard AES 2 hr rating plug long-term 100 hr rating are specified for low-frequency transducers.

⁴ IEC standard, full bandwidth pink noise with 6 dB crest factor, 100 hours.

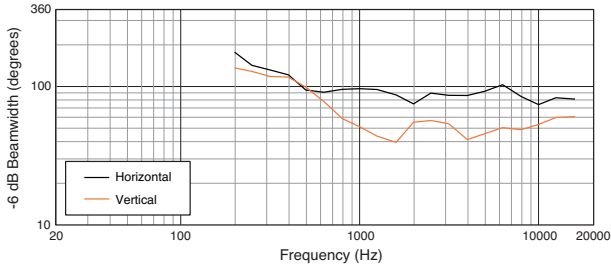
⁵ Calculated based on power rating and sensitivity, exclusive of power compression.

⁶ Anechoic sensitivity in free field, no additional sensitivity gains from boundary loading.

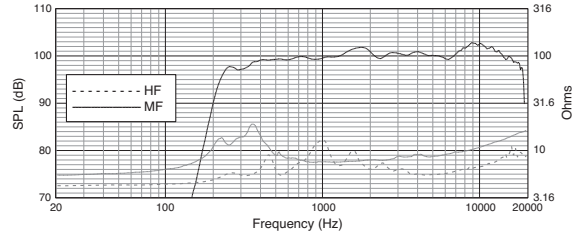
JBL continually engages in research related to product improvement. Some materials, production methods and design refinements are introduced into existing products without notice as a routine expression of that philosophy. For this reason, any current JBL product may differ in some respect from its published description, but will always equal or exceed the original design specifications unless otherwise stated.

► PD6200/95 High Output Two-Way Mid/High Frequency Loudspeaker

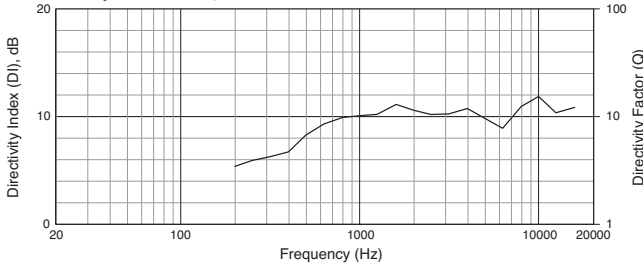
Beamwidth



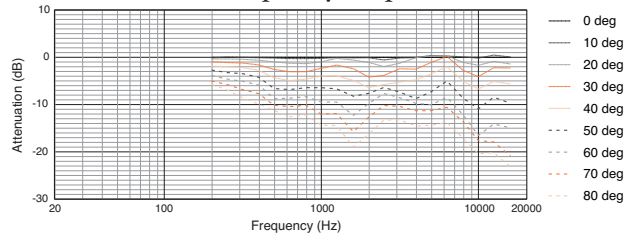
Bi-Amp FIR Frequency Response and Raw Impedance



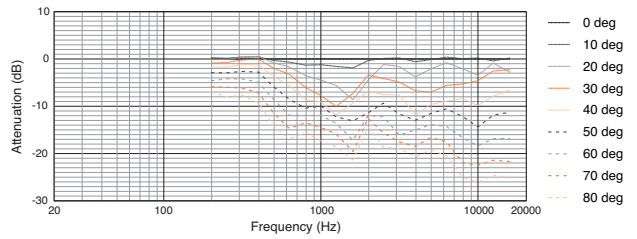
Directivity Index, Q



Horizontal Off-Axis Frequency Response



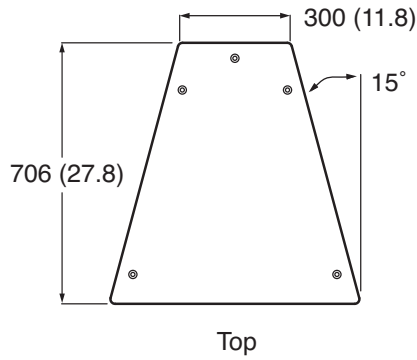
Vertical Up Off-Axis Frequency Response



Dimensions

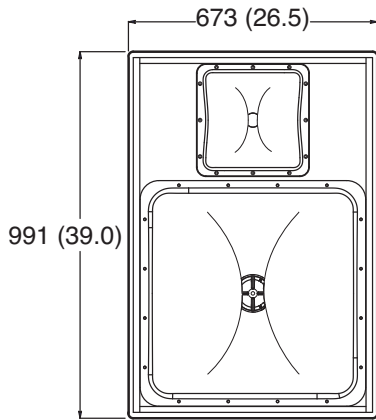
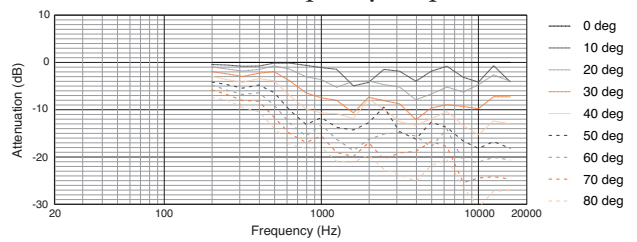
Dimensions in mm (in)

For more detailed dimensional information, refer to Application Data Sheet



Top

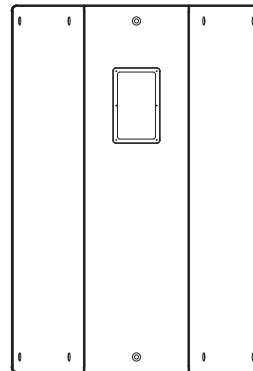
Vertical Down Off-Axis Frequency Response



Front



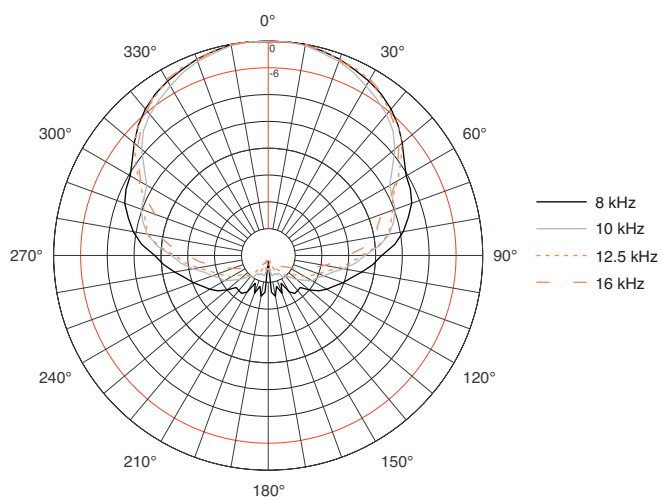
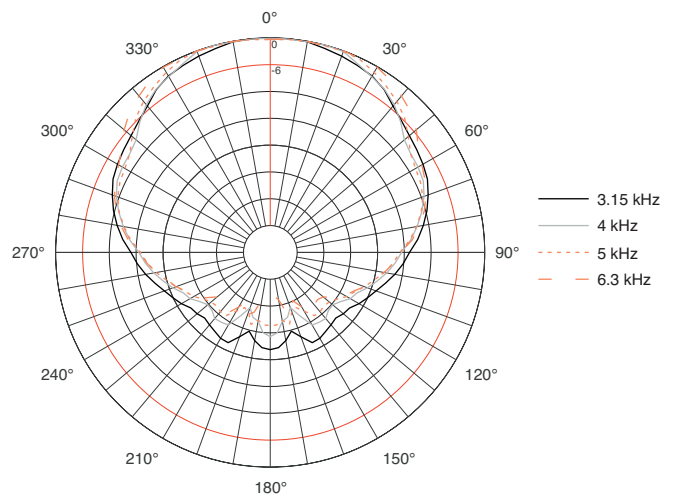
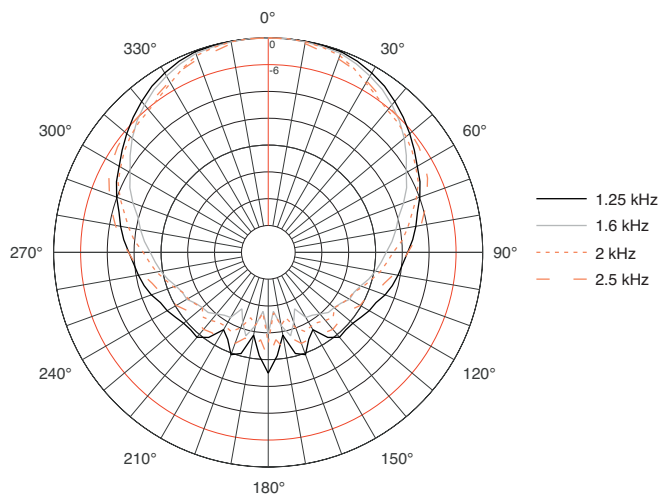
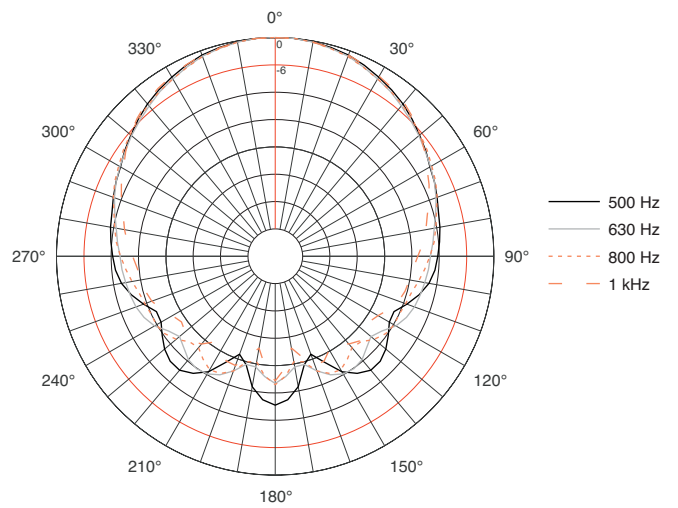
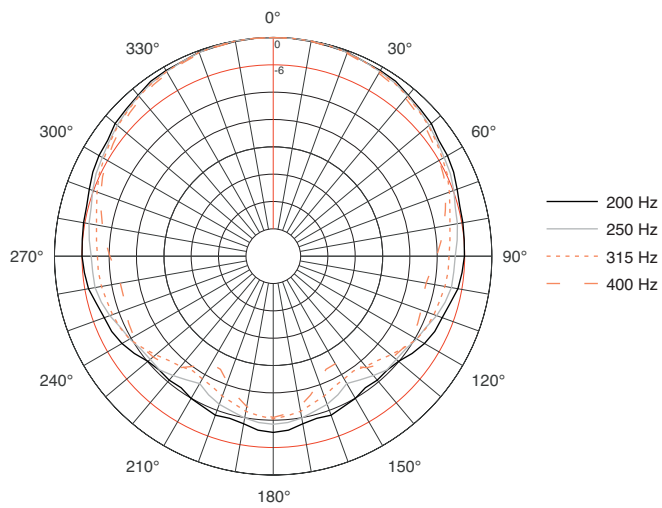
Side



Back

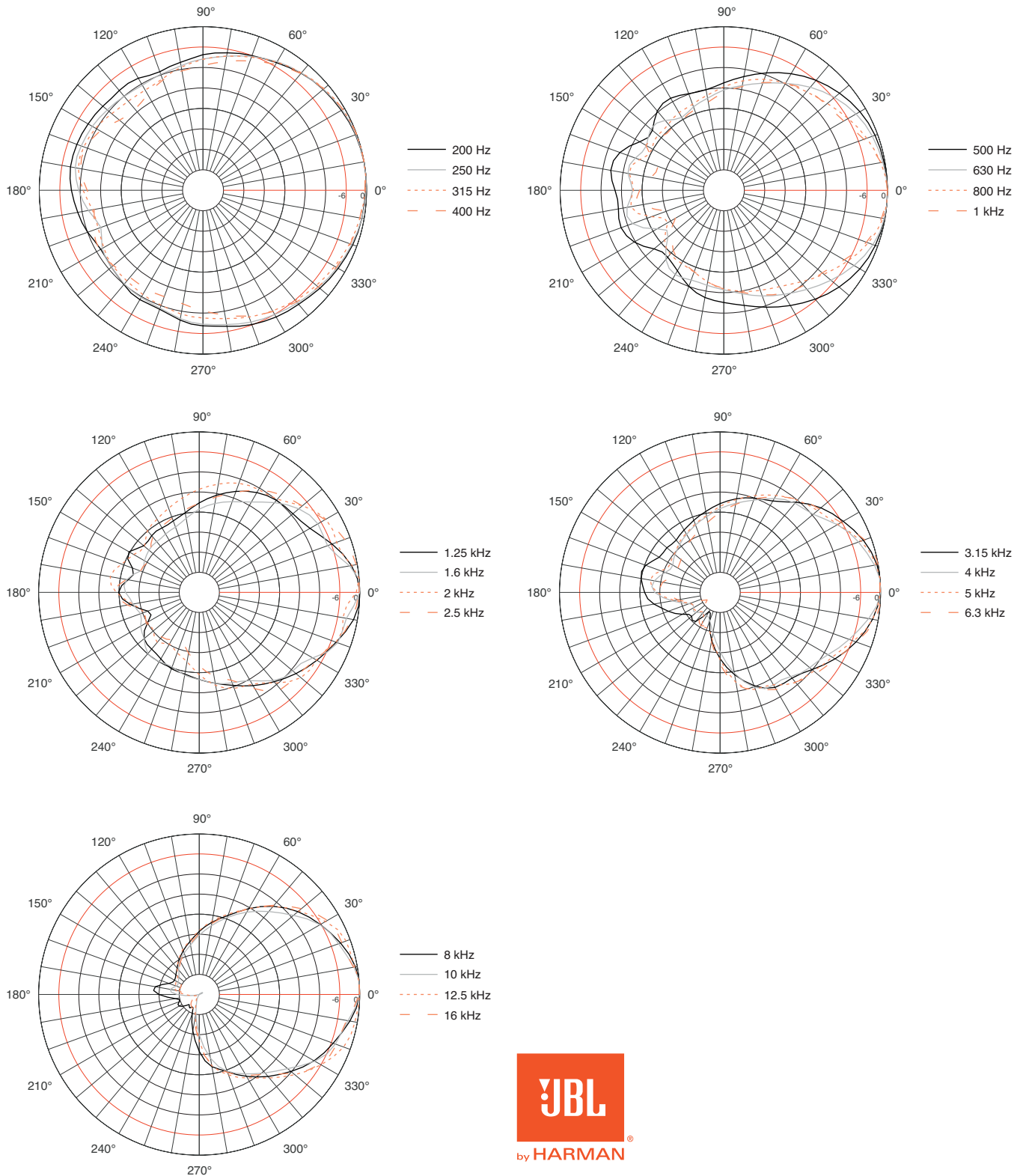
Measurements obtained in bi-amp mode using FIR filters. Graphs are from unaltered measured data.

Horizontal 1/3 Octave Polars



► PD6200/95 High Output Two-Way Mid/High Frequency Loudspeaker

Vertical 1/3 Octave Polars



JBL Professional
 8500 Balboa Boulevard, P.O. Box 2200
 Northridge, California 91329 U.S.A.

© Copyright 2014 JBL Professional
www.jblpro.com

SS PD6200/95
 CRP
 06/14