

BLACK MIRROR 2

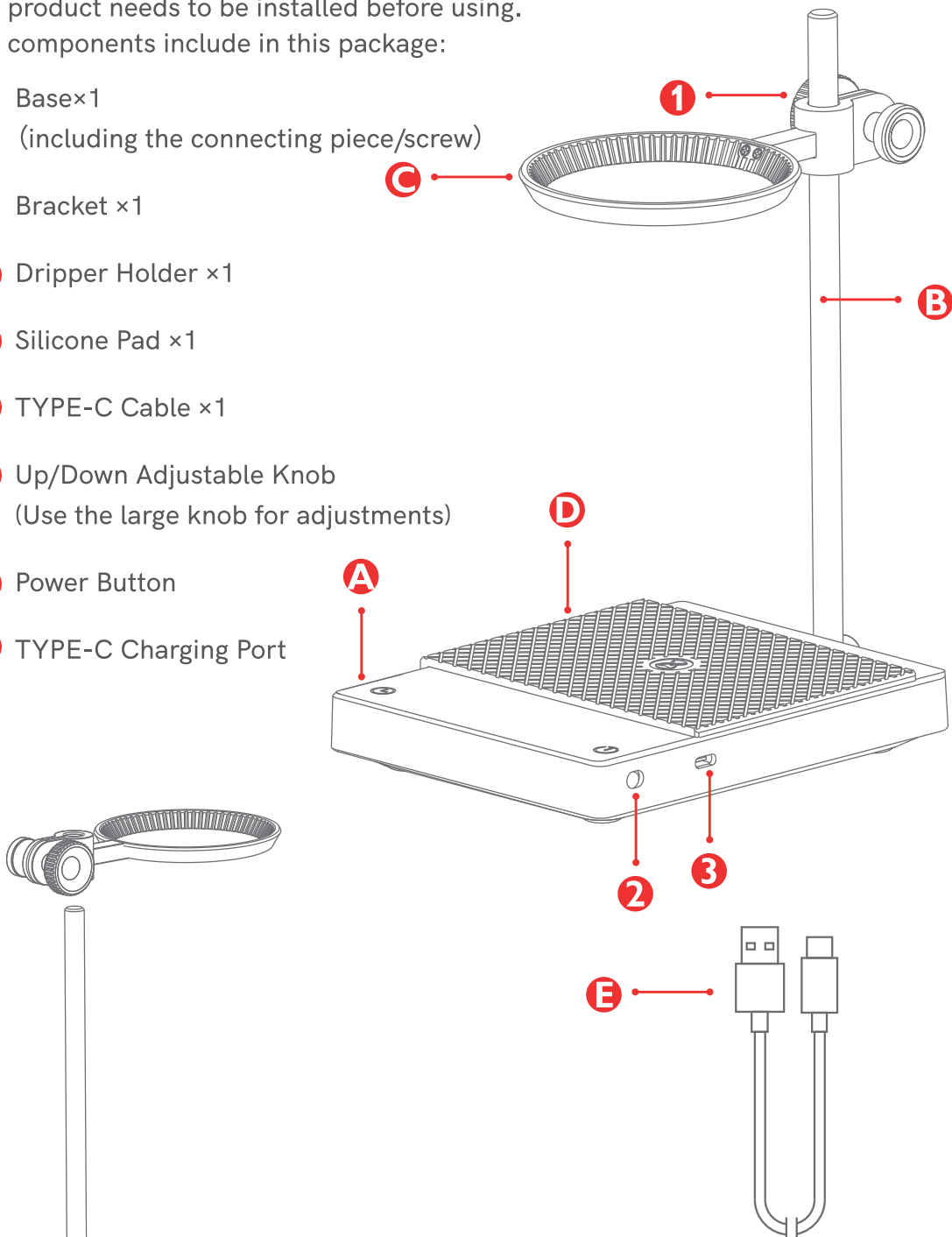
TIMEMORE BLACK MIRROR 2 COFFEE WEIGHING PANEL

User' s Manual

Package contents & functions

The product needs to be installed before using.
The components include in this package:

- A** Base×1
(including the connecting piece/screw)
- B** Bracket ×1
- C** Dropper Holder ×1
- D** Silicone Pad ×1
- E** TYPE-C Cable ×1
- 1** Up/Down Adjustable Knob
(Use the large knob for adjustments)
- 2** Power Button
- 3** TYPE-C Charging Port



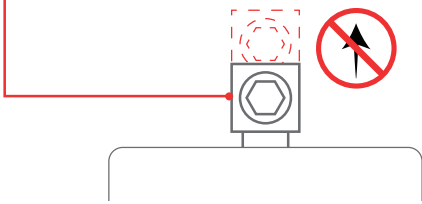
Please remove the protection pads as the picture in RED.

The dropper bracket includes a dropper rod and a dropper holder for self-installing and dismantling. Detailed instructions are in the following section.

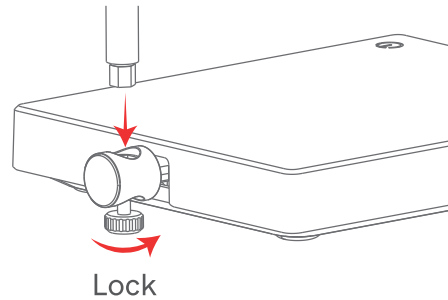
The Installation and Usage of Dripper Bracket

1. The dripper holder can be easily installed and removed. Please remove the silicone pad before installation.

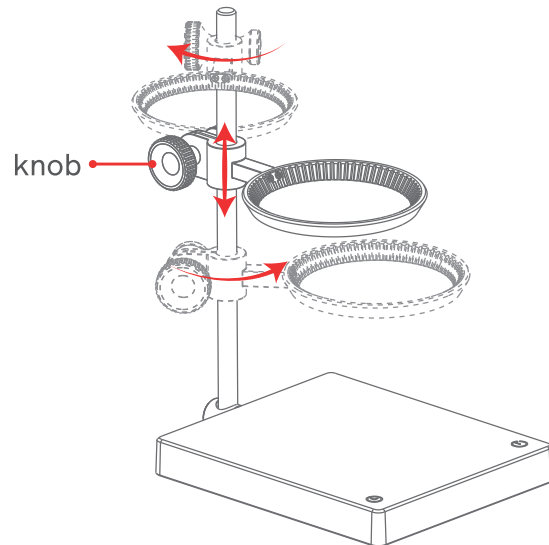
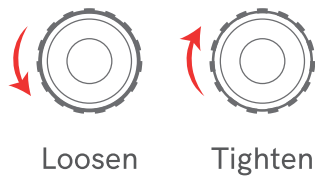
The connecting piece/screw on the back of the base is fixed and should not be pulled out.



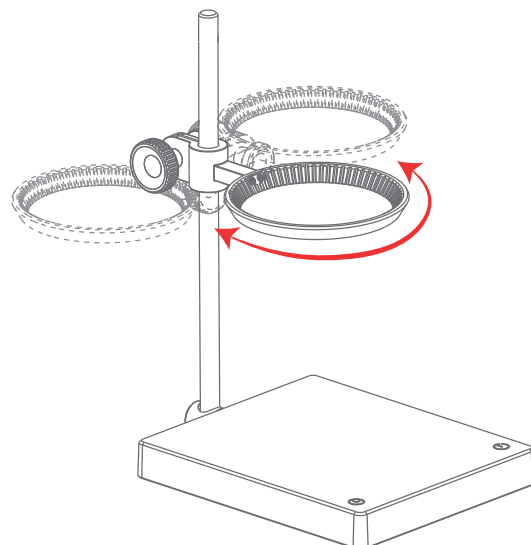
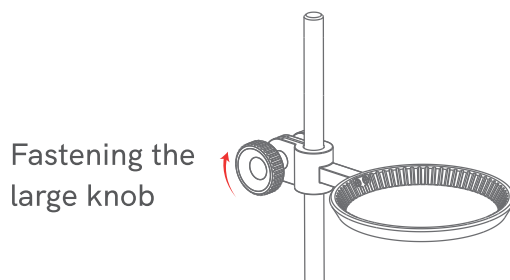
Insert the rod into the hole as shown, fix and tighten the screw below the connecting piece to fix the bracket (see the figure below).



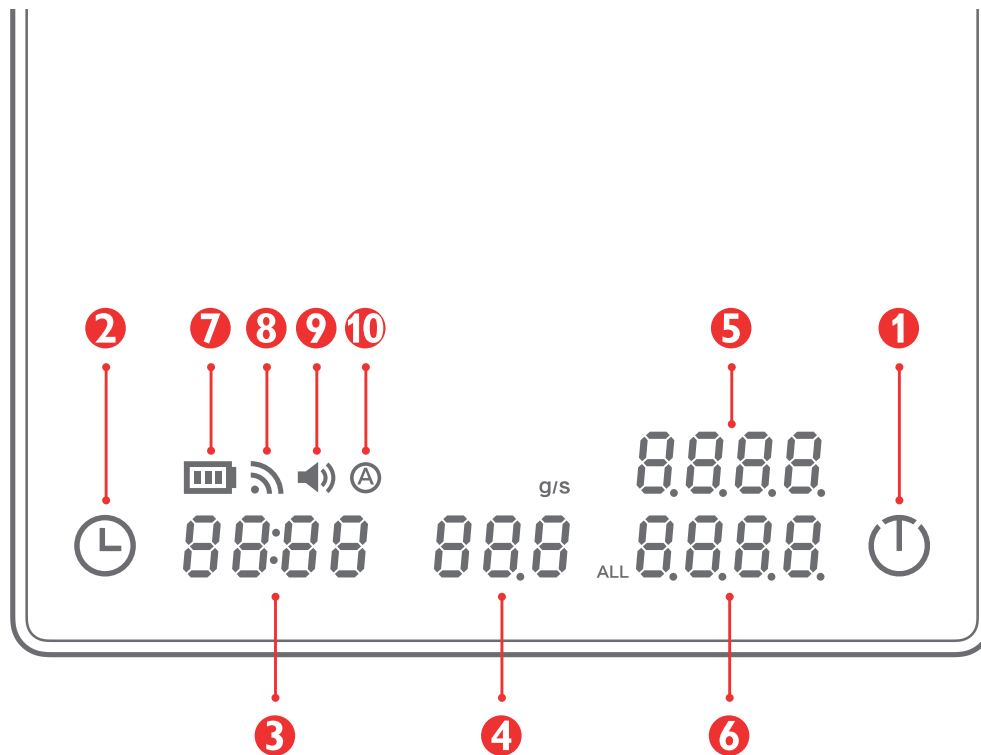
2. Loosen the large side knob to move the dripper holder freely to adapt to different height combinations of the dripper and the coffee server. After the height is adjusted to the proper height, the knob needs to be securely tightened.



3. When the dripper holder is locked, it can still rotate freely from the middle position to the left and right. Do not exceed the angle range.



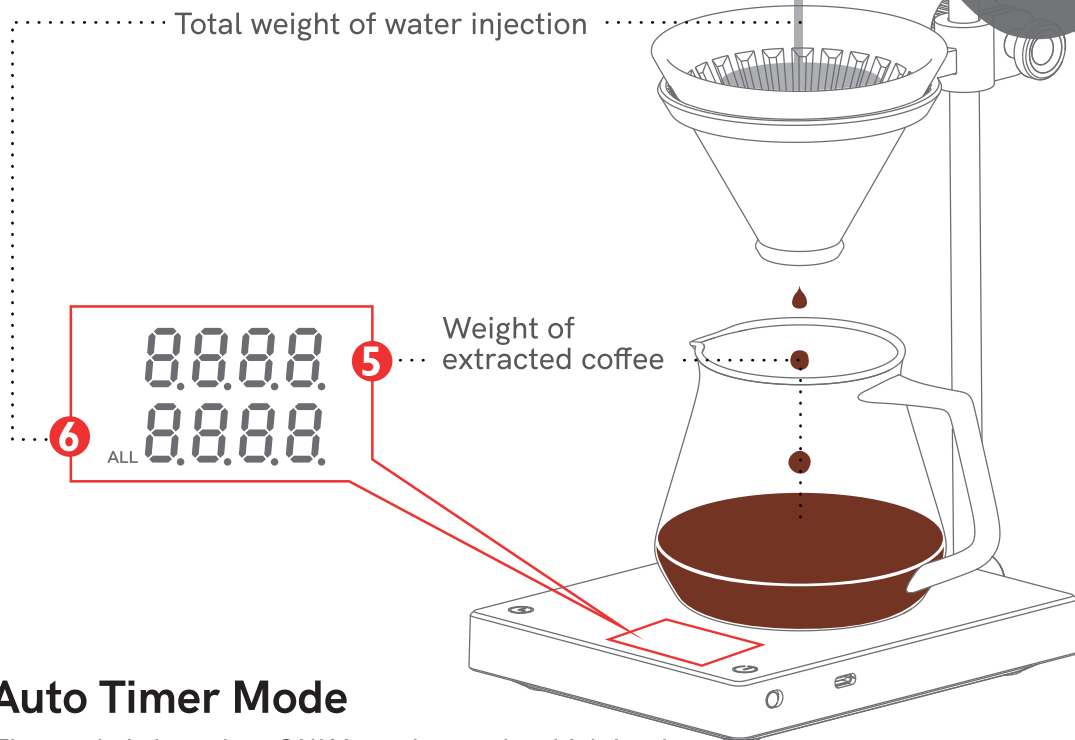
Introduction to Buttons and Display Area



- 1** Power/Tare Button: Press to power on
Short press to tare
Long press 2 seconds to power off
- 2** Timer Button: Short press to start/pause timer
Press for 1 second to reset timer
Press for 5 seconds to turn on/off the beep
Quick press 8 times to turn on/off auto timer mode
- 3** Time: Max recording time is 59m:59s
- 4** Flow Rate: The current speed of water injection
- 5** Weight of Coffee: The weight of coffee after extraction
- 6** Weight of Total Water: Total water injection weight during extraction
- 7** Battery Indicator: Shows remaining power level
- 8** Connection Indicator: Shows if it is connected with Application
- 9** Sound Indicator
- 10** Auto Timer Indicator

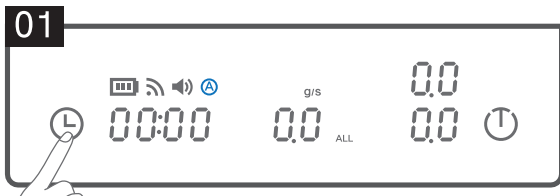
PS: The sticker on the panel when shipped marks each function and description of each key. It can be removed after you are familiar with the operations.

The Display of Dual Coffee Weights

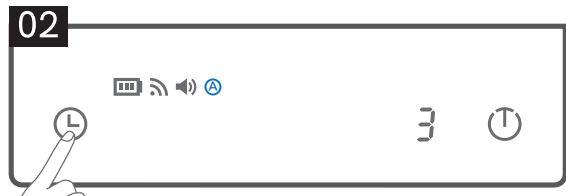


Auto Timer Mode

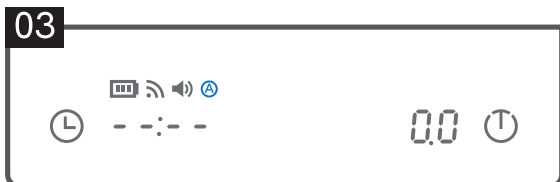
The mode is based on ONLY regular mode which is when the device is NOT connected with App or Mini Program.



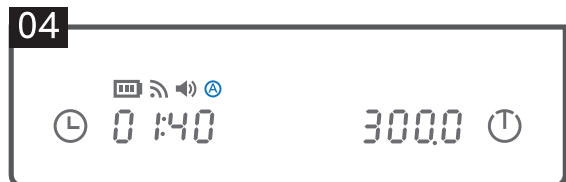
To turn on/off Auto Timer mode, press the timer button 8 times until you hear the beep. The letter A will appear on the display when the Auto Timer Mode is on.



Prepare brewing equipment and place on the scale. Add the coffee. Short press the timer button once. The display will count down 3, 2, 1.



The weight will go to zero. As you add water the scale will sense the weight and the timer will start timing your brew.



If the brewing equipment is removed from the scale the timer will stop and the display will show the time of the brew and the weight. If you place the brewing equipment back on the scale to add more water, short press the timer button to continue the timer and weighing functions. Short press the timer button again and the timer will stop. Long press the timer button to clear the display to start a new pour over.

Specification

01. Product Name: TIMEMORE BLACK MIRROR 2 Coffee Weighing Panel
02. Measure range: 0.5g-2000g
03. Storage temperature: -10℃ to 55℃
04. Use temperature: Surface -10℃ to 60℃ With silicone pad : -20℃ to 100℃
05. Key mode: Capacitive touch (no need to press hard)
06. Assistive Indicator: built-in buzzer
07. Connection: 2.4GHZ Bluetooth wireless connection compatible for Bluetooth 4.2
08. Battery: Built-in 2300mAh Lithium Ion rechargeable battery standard
Voltage: 3.7V Voltage range: 3.4V - 4.25V
09. Charge: 5V DC/1A with TYPE-C cable
Built-in Smart system to control battery charge. Adaptor is not included.
Type of adaptor: 220VAC / 110VAC Out put: 5V/1A
10. Smart device requirements: Android or iOS smartphone,
install the latest version of Wechat app

Note

1. The battery does not support a fast charging function.
It's recommended to use 5V, 1a-2a adapter for charging.
2. Place the device on a horizontal and smooth surface.
3. It's recommended to use the Silicone pad to protect the surface and internal parts of the product.
4. The device is powered by a lithium battery. DO NOT charge after the power is completely used up. It is recommended to charge the battery after every usage.
If the battery is used up, there will be a protection time of 10 min during which you'll not be able to use the device.
5. Do not use the device during charging.
6. When timer is off, it will be on standby for 3 min then shut down automatically.
When timer is on, but there is no change in weight, it will shut down after 15 min.
7. The surface of scale is waterproof. DO NOT allow liquid to enter the gap between shells and charging port. DO NOT soak it in any liquid.
8. DO NOT attempt to dismantle or repair.
9. The limited warranty only covers any defect in material or workmanship under normal use during warranty period.
10. The device is an accessory for coffee brewing only. DO NOT use it for trade settlement or other occasions.

For full warranty coverage the device must be used properly following the instructions provided by the manufacturer.

Smartphone App

1. Scan the below QR code and get into www.timemore.com - Download Center to download [TIMEMORE] application.



iOS



Android



After installation, please complete the registration or login account to learn more under [Brewing], [Data], [Device] interfaces.



2. Scan the QR code and get into Mini Program [TIMEMORE] via Wechat.



- Please turn on the Bluetooth on the mobile phone to connect the device with Bluetooth according to the prompts in the Application or Mini Program.
- Please make sure the device is not paired with other mobile phones.
- The function, content and format of the App will be updated and improved periodically. Please pay attention to the latest product news.

BLACKMIRROR 2



品名：泰摩黑镜2智能咖啡手冲平台

品号：TES008

内容物：测量平台、滤杯杆、滤杯环、硅胶隔热垫、充电线、说明书(含保修卡)、合格证

委托商：上海泰摩咖啡器具有限公司 质保期限：1年

网址：www.timemore.com 电话：400-684-0200

生产商：可瑞尔科技(扬州)有限公司

地 址：江苏省扬州市开发区兴扬路28号

Product name: TIMEMORE BLACK MIRROR 2 Coffee Weighing Panel

Item's number: TES008

Contents: Weighing Panel, Bracket, Dripper Holder, Silicone Pad, Charge Cable,
User's manual (Warranty Card), Certification

Company : Shanghai TIMEMORE Coffee Equipment CO., LTD.

Warranty: 1 year limited warranty

Website: www.timemore.com Tel: 400-684-0200

Manufacturer : Krell Precision (Yangzhou) CO., LTD.

ADD : No. 28 Xinyang Road, Development Zone, Yangzhou City, Jiangsu
Province, China