

FIVE YEAR WARRANTY

Confer Plastics Inc. warrants their Leisure Accents Furniture Products to be free from manufacturing and workmanship defects for five years from date of purchase.

In the event of a missing or damaged part, please email us at CustomerService@LeisureAccents.com
Upon review of the information, we will contact you to notify you if the part is covered under warranty.

This warranty gives you specific legal rights, and you may also have other rights which may vary from state to state.

Confer Plastics Inc.
97 Witmer Rd
North Tonawanda, N.Y. 14120-2421



Complete your
backyard by
shopping our entire
line at

LeisureAccents.com

LEISURE ACCENTS™

MADE IN THE USA

 **CONFER**
plastics inc.
Printed in USA

⚠️ WARNING Safety Information

- Read all of the instructions in this manual before you begin assembly. Failure to do so may result in faulty assembly and potential injury!
- Check that you have all required parts: Do not attempt to assemble if any parts are missing. Call 800-635-3213 or visit www.LeisureAccents.com for assistance.

LEISURE ACCENTS™ 36" DOUBLE BAR By Confer Plastics

ASSEMBLY MANUAL



 SCAN ME
Installation
video

LEISURE ACCENTS™

MADE IN U.S.A. BY

 **CONFER**
plastics inc.

36" DOUBLE BAR

If missing parts - Toll free U.S./Canada - 800-635-3213 or www.LesureAccents.com

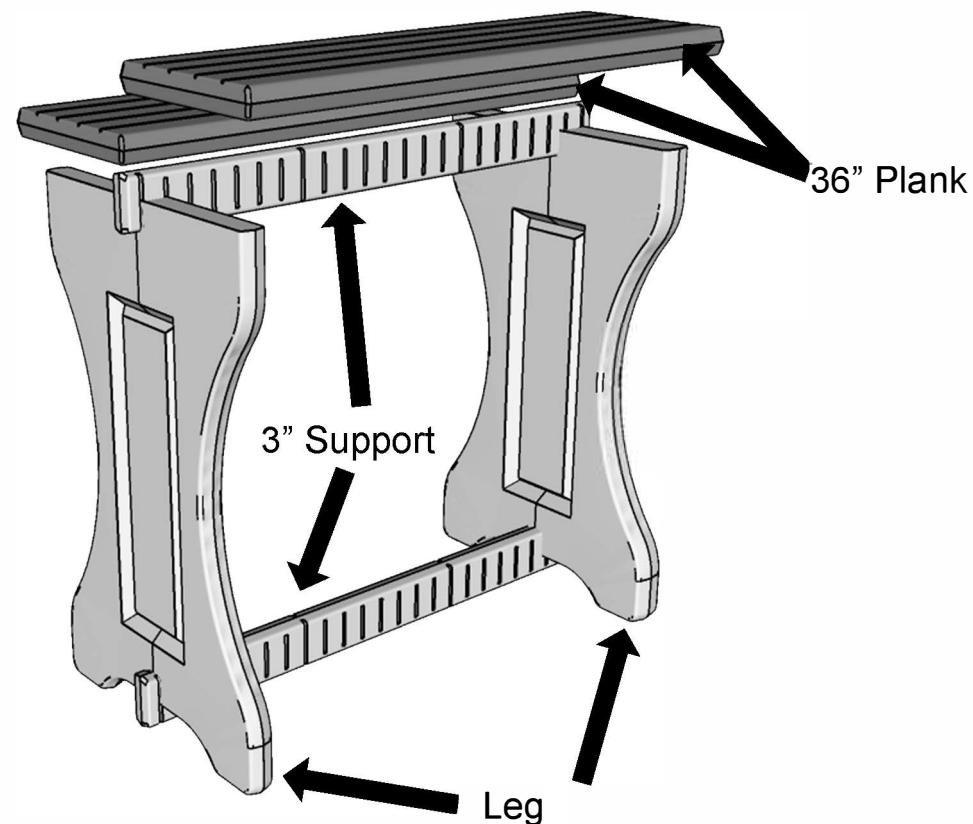
Exploded Labeled Diagram

Parts List:

- Leg (2)
- 3" Support (2)
- 36" Plank (2)

Tools Required:

- Rubber Mallet



ASSEMBLY:



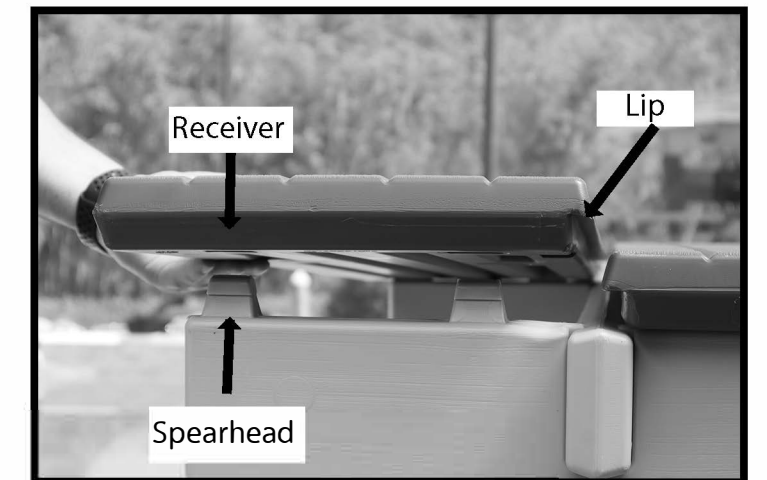
1. Place the 3" support into the bottom of the leg and tap into place with a rubber mallet.



2. Stand the bar upright and install the other leg by placing it over the groove on the 3" support and tap into place.



3. Place the second 3" support in the center slot of the legs. Tap into place with a rubber mallet.



4. Place the 36" plank receivers over the spearheads such that the lip is situated in the middle of the legs. Tap into place with a rubber mallet above the spearhead connections.

Safe Installation

⚠ WARNING

- Read all of the instructions in this manual before you begin assembly. Failure to do so may result in faulty assembly and potential injury!
- Check that you have all required parts: Do not attempt to assemble if any parts are missing. Call 800-635-3213 or visit www.LesureAccents.com for assistance.
- Use product for intended purpose only: DO NOT stand on furniture
- Double check after installation: Before using the product, after assembly and installation, review instructions and procedures again to make sure nothing has been overlooked

Questions, problems, missing parts?
Call customer service at 800-635-3213
Email CustomerService@LesureAccents.com
Visit our website at www.LesureAccents.com

Retain this manual for future use