

## FIVE YEAR WARRANTY

Confer Plastics Inc. warrants their Leisure Accents Furniture Products to be free from manufacturing and workmanship defects for five years from date of purchase.

In the event of a missing or damaged part, please email us at [CustomerService@LeisureAccents.com](mailto:CustomerService@LeisureAccents.com)  
Upon review of the information, we will contact you to notify you if the part is covered under warranty.

This warranty gives you specific legal rights, and you may also have other rights which may vary from state to state.

Confer Plastics Inc.  
97 Witmer Rd  
North Tonawanda, N.Y. 14120-2421



Complete your  
backyard by  
shopping our entire  
line at

[LeisureAccents.com](http://LeisureAccents.com)

# LEISURE ACCENTS™

MADE IN THE USA

 **CONFER**  
plastics inc.  
Printed in USA

## ⚠️ WARNING Safety Information

- Read all of the instructions in this manual before you begin assembly. Failure to do so may result in faulty assembly and potential injury!
- Check that you have all required parts: Do not attempt to assemble if any parts are missing. Call 800-635-3213 or visit [www.LeisureAccents.com](http://www.LeisureAccents.com) for assistance.

# LEISURE ACCENTS™ 36" SINGLE BAR By Confer Plastics

## ASSEMBLY MANUAL



SCAN ME  
Installation  
video

# LEISURE ACCENTS™

MADE IN U.S.A. BY

 **CONFER**  
plastics inc.

# 36" SINGLE BAR

If missing parts - Toll free U.S./Canada - 800-635-3213 or [www.LesureAccents.com](http://www.LesureAccents.com)

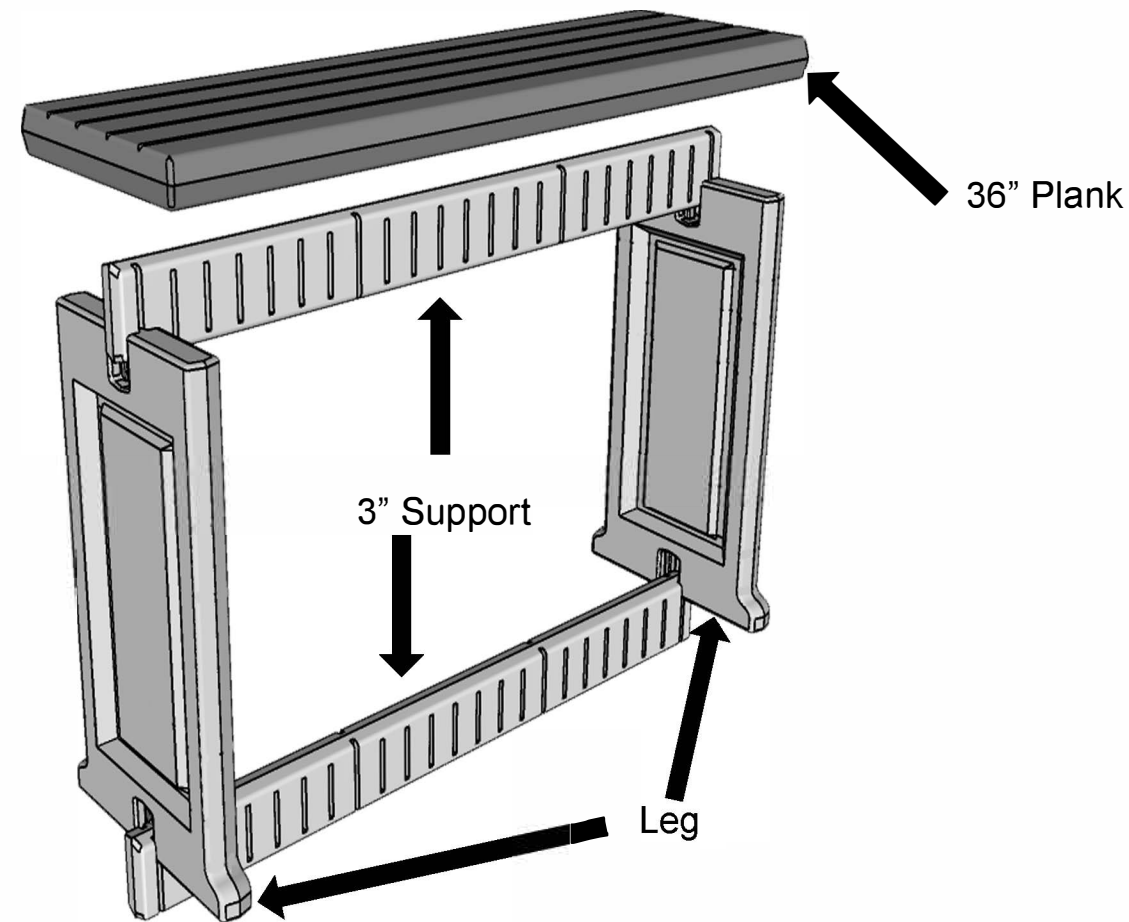
Exploded Labeled Diagram

Parts List:

- Leg (2)
- 3" Support (2)
- 36" Plank

Tools Required:

- Rubber Mallet



## Safe Installation

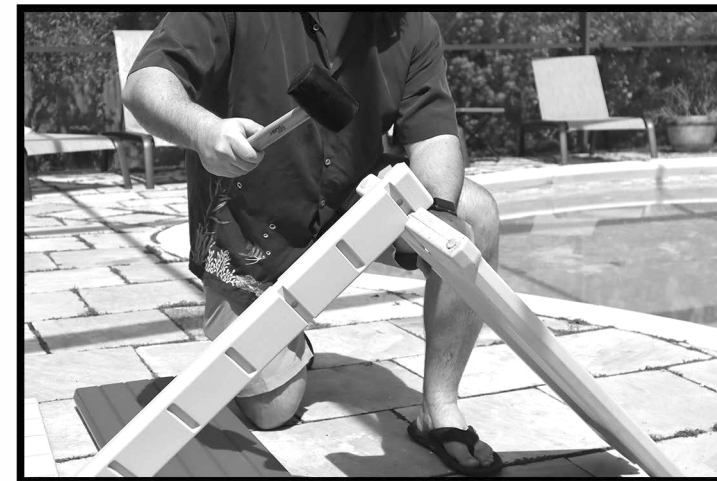
### ⚠ WARNING

- Read all of the instructions in this manual before you begin assembly. Failure to do so may result in faulty assembly and potential injury!
- Check that you have all required parts: Do not attempt to assemble if any parts are missing. Call 800-635-3213 or visit [www.LesureAccents.com](http://www.LesureAccents.com) for assistance.
- Use product for intended purpose only: DO NOT stand on furniture
- Double check after installation: Before using the product, after assembly and installation, review instructions and procedures again to make sure nothing has been overlooked

Questions, problems, missing parts?  
Call customer service at 800-635-3213  
Email [CustomerService@LesureAccents.com](mailto:CustomerService@LesureAccents.com)  
Visit our website at [www.LesureAccents.com](http://www.LesureAccents.com)

Retain this manual for future use

## ASSEMBLY:



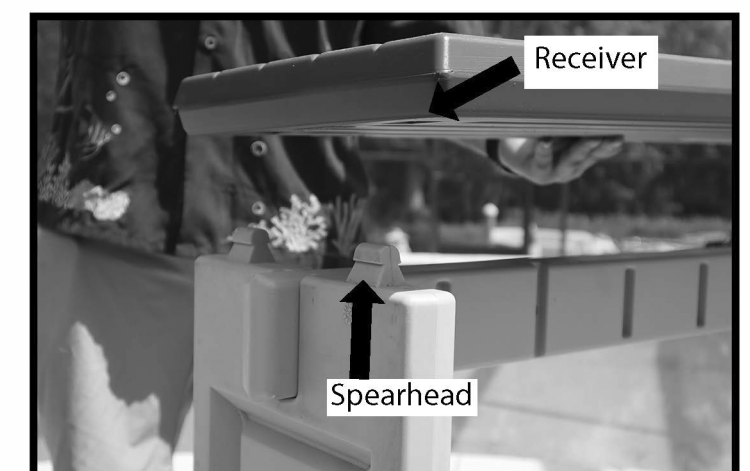
1. Place the 3" support into the groove on the bottom of the leg and tap into place with a rubber mallet.



2. Stand the bar upright. Place the other leg over the 3" support and tap into place.



3. Install the other 3" support into the top groove on the legs.



4. Place the 36" plank over the legs such that the spearheads on the leg align with the receivers on the plank. Tap into place with a rubber mallet.