

LevelMaster®

Stronger. Easier. Faster. **ADJUSTABLE HOUSE STUMPS**

PRODUCT CATALOGUE

ORDER ONLINE 24/7
FOR PROMPT DELIVERY



levelmaster.com.au



ADJUSTABLE
HOUSE STUMPS



ADJUSTABLE
BRACING



ADJUSTABLE
STAIR STRINGERS

LevelMaster

LevelMaster- The Company

For over 10 years, LevelMaster has been a leading supplier of adjustable foundation products servicing the building industry. Our industry knowledge is extensive with over 25 years combined experience in the structural arena. We offer our customers advice on the correct product selection and support that with same or next day despatch. Our products meet or exceed building regulations and are the first choice of designers and specifiers.

Our Commitment to you

We specialise in supplying our range in the shortest possible lead times ensuring that your building needs are delivered in full on time. We achieve this by stocking the correct products in our multiple warehouses and distribution points across the country. In support, all our products hold engineering certifications so that you can use and recommend our products with complete confidence. Furthermore all LevelMaster products carry a comprehensive warranty on workmanship and materials.

Solutions for the Trade

Our unique patented designs have been created to solve a multitude of problems in today's building environment. Our stump product provides solutions for areas of soil movement and building blocks with difficult terrain. Installation times have been greatly reduced as no on site welding or pre-fabrication is required.

Hand in hand with LevelMaster stumps is our certified bracing available to suit a wide range of applications.

We offer great flexibility with our stair stringer range utilizing a unique interchangeable and adjustable base to suit both cast in concrete or bolt down versions. All finished in hot dipped galvanising for added protection.

New Look Product catalogue

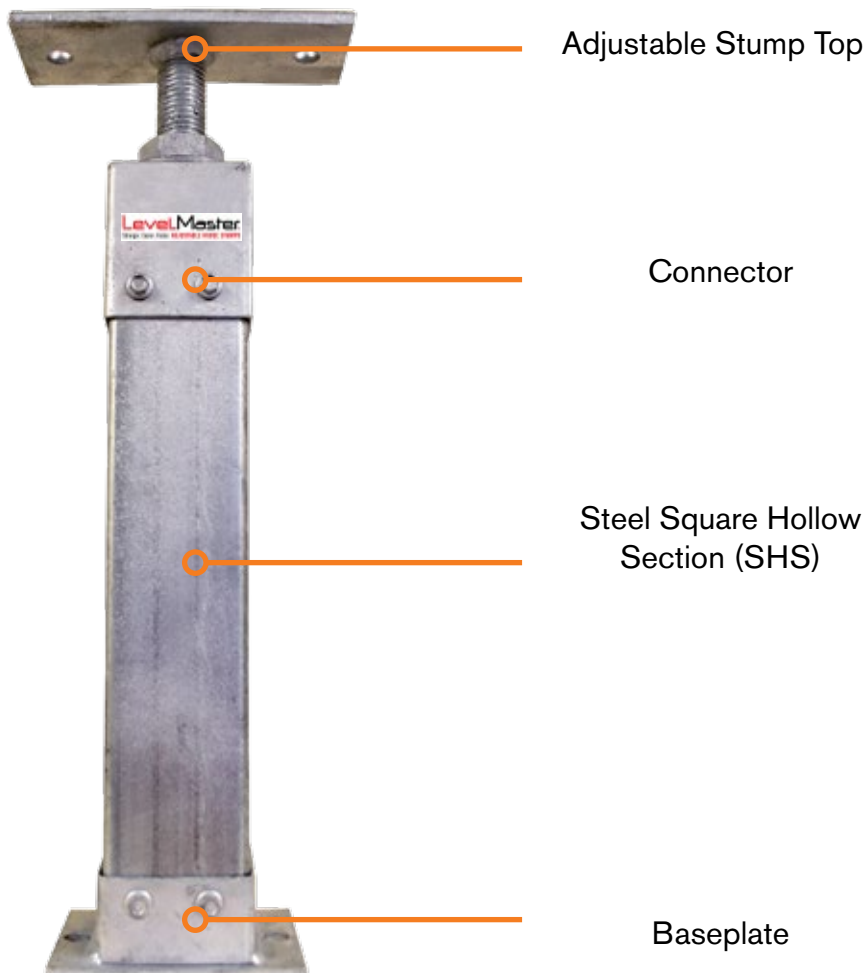
We have redesigned our latest catalogue so that selection of your LevelMaster components is easier than ever. Stumps, bracing, stair stringers and a big range of accessories, we have it all.



STUMPS & SHS



Australia's leading supplier in
Adjustable House Stumps



Adjustable Stump Top

Connector

Steel Square Hollow
Section (SHS)

Baseplate

GALVANISED INSIDE AND OUT, GALFORCE SQUARE HOLLOW SECTION

Post Material Selection Chart

Width	Stocked Wall Thicknesses		
	3mm	4mm	5mm
75mm x 75mm	3mm	4mm	5mm
89mm x 89mm	3.5mm	5mm	
100mm x 100mm	3mm	4mm	5mm

All Wall Thicknesses Available To Order
We cut to any length and can assemble for **free!**

Also available in hot dip gal (lead times apply)- **75x4mm hot dip gal NOW IN STOCK**



Stump Tops

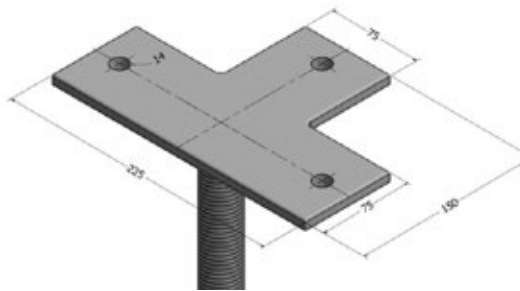
Galvanised LevelMaster Tops

All have a M30 thread that is compatible with all LevelMaster Connectors



Straight

10mm Thick
14mm Bolt Holes
Code: S



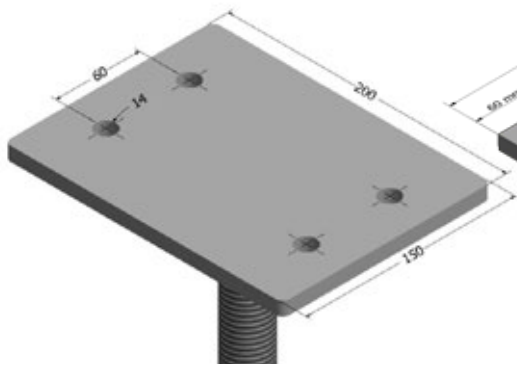
Tee

10mm Thick
14mm Bolt Holes
Code: T



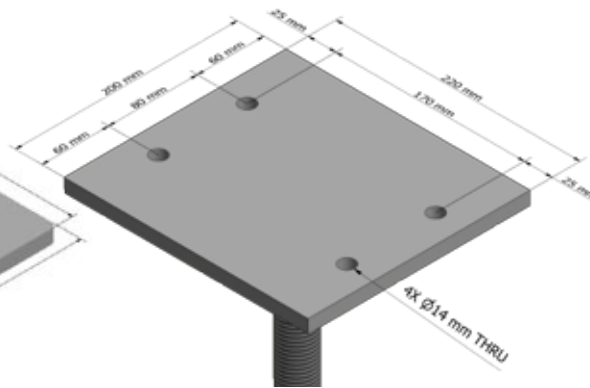
Straight Offset Hole

10mm Thick
14mm Bolt Holes
Code: SOH



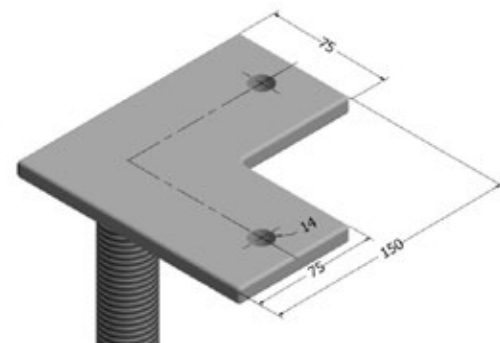
Straight 4 Hole

12mm Thick
14mm Bolt Holes
Code: S4



Straight Large

12mm Thick
14mm Bolt Holes
Code: SL



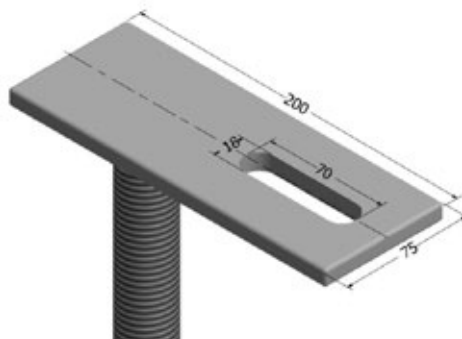
Corner

10mm Thick
14mm Bolt Holes
Code: C



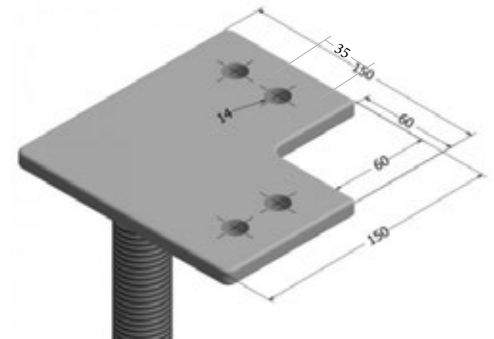
End Of Bearer

10mm Thick
14mm Bolt Hole
Code: E



End Slotted

12mm Thick
Code: ES



Corner 4 Holes

10mm Thick
14mm Bolt Holes
Code: C4

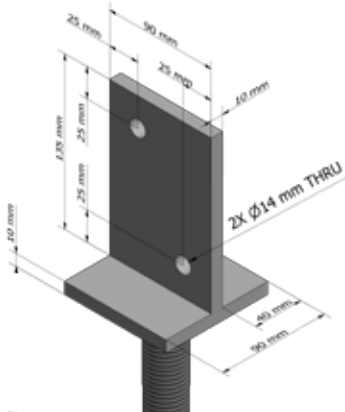
Stump Tops

Galvanised LevelMaster Tops

All have a M30 thread that is compatible with all LevelMaster Connectors

Vertical Plate 90

4mm Bolt Holes
Code: VP90



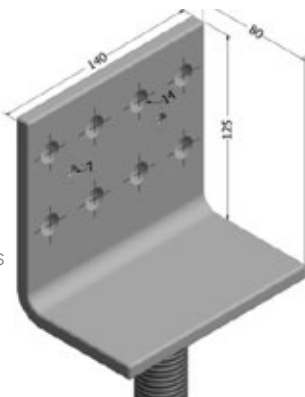
Vertical Small

6mm Thick
8mm & 14mm Bolt Holes
Code: VS



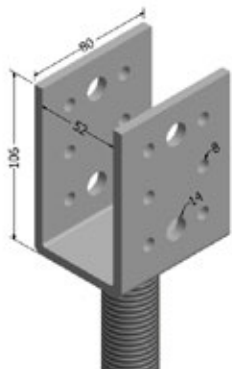
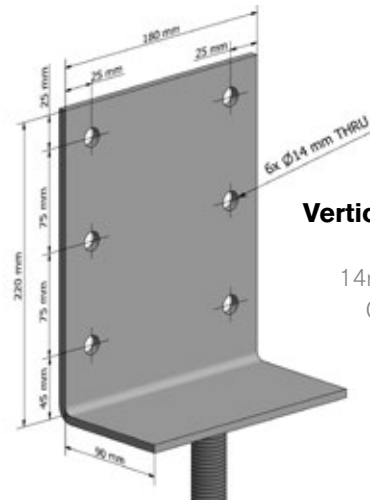
Vertical Large

6mm Thick
8mm & 14mm Bolt Holes
Code: VL



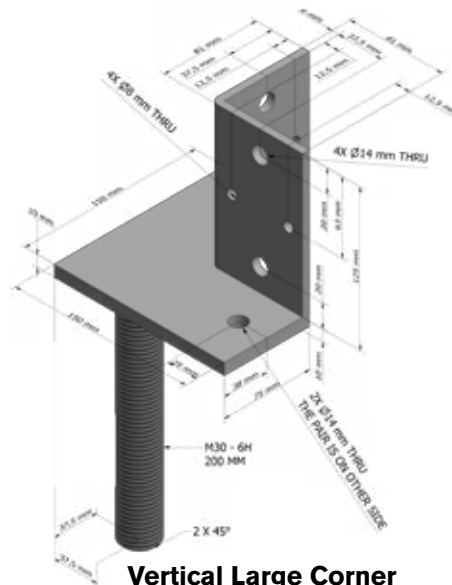
Vertical Extra Large

6mm Thick
14mm Bolt Holes
Code: VLXL



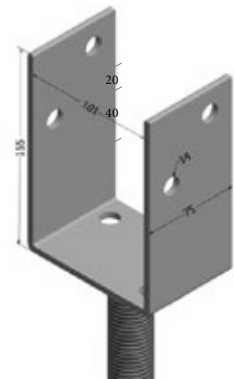
Stirrup 50mm

8mm & 14mm Bolt Holes
Code: STI-50



Vertical Large Corner

Code: VLC



Stirrup

14mm Bolt Holes
Code: STI

TOP CONNECTORS

Connects the stump to a LevelMaster top and also gives you the adjustment.

Screw On Connectors

Effortless installation, with a slip over sleeve that is fitted with tek screws.

- To suit a 75mm Post // Code: SO-75
- To suit a 90mm Post // Code: SO-90
- To suit a 100mm Post // Code: SO-100



Weld On Connectors

Welded onto SHS stump for maximum strength.



- To suit a 75mm Post // Code: WO-75
- To suit a 90mm Post // Code: WO-90
- To suit a 100mm Post // Code: WO-100

Screw Pile Connectors

Note: LevelMaster does **not** supply screw piles

- To suit a 75mm Pile // Code: SP-76
- To suit a 90mm Pile // Code: SP-90
- To suit a 114mm Pile // Code: SP-114



BASES & SHS Posts



Base to cast into concrete

Suit a 75mm Post // 90mm x 120mm Code: BCI-75-120
Suit a 90mm Post // 100mm x 150mm Code: BCI-90-150

2 Hole Base Bolt Down

Suit a 75mm Post // 80mm x 200mm Code: BBD-75-200
Suit a 90mm Post // 100mm x 200mm Code: BBD-90-200
Suit a 100mm Post // 110mm x 200mm Code: BBD-100-200
8mm Plate & 14mm Bolt Holes



4 Hole Base Bolt Down

Suit a 75mm Post // 180mm x 180mm Code: BBD-75-4H
Suit a 90mm Post // 180mm x 180mm Code: BBD-90-4H
Suit a 100mm Post // 180mm x 180mm Code: BBD-100-4H
10mm Plate & 14mm Bolt Holes



Australian Innovation Patent # 2016 10 1221

STAIR STRINGERS

Hot Dipped Galvanised

Sold in **pairs** with either an adjustable bolt down base or an adjustable concrete in base.

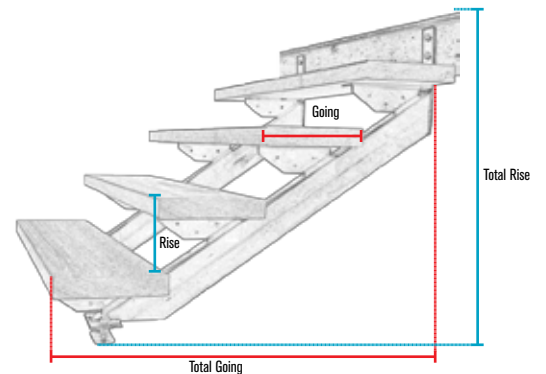
See website for calculator

Rise:175mm Going: 250mm

Treads	Total Rise	Total Going	Concrete In Code	Bolt Down Code
1	350mm	250mm	1T-SSCI	1T-SSBD
2	525mm	500mm	2T-SSCI	2T-SSBD
3	700mm	750mm	3T-SSCI	3T-SSBD
4	875mm	1000mm	4T-SSCI	4T-SSBD
5	1050mm	1250mm	5T-SSCI	5T-SSBD
6	1225mm	1500mm	6T-SSCI	6T-SSBD
7	1400mm	1750mm	7T-SSCI	7T-SSBD
8	1575mm	2000mm	8T-SSCI	8T-SSBD
9	1750mm	2250mm	9T-SSCI	9T-SSBD
10	1925mm	2500mm	10T-SSCI	10T-SSBD
11	2100mm	2750mm	11T-SSCI	11T-SSBD
12	2275mm	3000mm	12T-SSCI	12T-SSBD
13	2450mm	3250mm	13T-SSCI	13T-SSBD
14	2625mm	3500mm	14T-SSCI	14T-SSBD
15	2800mm	3750mm	15T-SSCI	15T-SSBD
16	2975mm	4000mm	16T-SSCI	16T-SSBD
17	3150mm	4250mm	17T-SSCI	17T-SSBD



4T-SSBD installed with Merbau Treads.



Stair Stringer **Cast In** Baseplate



Stair Stringer **Bolt Down** Baseplate



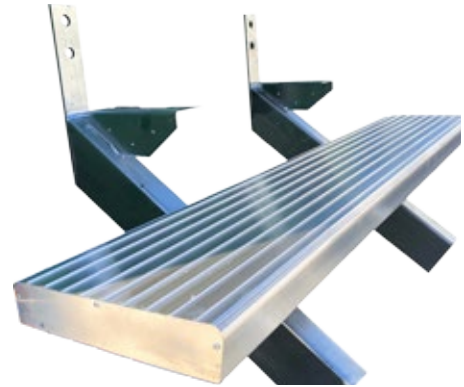
Stair Stringer Accessories



Timber Hardwood Tread

250mm W x 50mm T x 1200mm L

Code: TT-HWD-1200 // Rough Sawn Hardwood



Aluminium Tread Kit

250mm W x 50mm T x 1200mm L

Code: TT-Alum-1200-Kit // Endplates, rivets and bolts supplied loose



Merbau Tread

250mm W x 45mm T x 1200mm L

Code: TT-KWA-1200 // Dressed with non-slip nosing



Step Tread Bracket

Plated Gal

200mm x 60mm x H 70mm

Code: STBK-GAL



Non Standard Rise Bracket

Plated Gal

200mm x 70mm x H 35mm

Code: NRSB

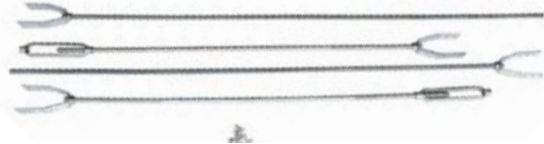
Miscellaneous



Bracing Set (Full Cross Brace) Galvanized

End Brackets suit 75mm and 90 mm posts.
3000mm, 16mm Threaded Rod, Turn Buckle and Screws
Extendable to any length; M16 Threaded rod and coupler joiners
sold separately.

Code: BR-75-90-Set



Heavy Duty Bracket

Bracket:
100mm x 75mm x 130mm x 8mm
Code: BKHD



Dog Clamp Kit

Clamp: 100mm x 75mm
Bolt: M16 x 60mm / M12 x 50mm
Code: D-CLAMP-KIT



Coach Screws

M8 x 40mm // Code: CS-40-M8
M10 x 75mm // Code: CS-75-M10
M12 x 75mm // Code: CS-75-M12
M12 x 100mm // Code: CS-100-M12



Cup Head Coach Bolt

M10 x 75mm // Code: CB-75-M10
M12 x 75mm // Code: CB-75-M12
M12 x 100mm // Code: CB-100-M12
M12 x 130mm // Code: CB130-M12



Tek Screws

14mm x 22mm
Code: TK-D14



Tek Screw Driver

To suit 3/8
Code: TK-Driver

Miscellaneous



Round Ant Cap

Suits 300mm Round Post
Code: AC-300-RD



Square Ant Cap

Suits 200mm x 200mm Square Post
Code: AC-200-SQ



Stump Antcap

Pre-fitted accessory for
SO-75 / SO-90 / SP-76 / SP-90
Code: AC-150-AJT



NIVCOMP

High Quality digital levelling device
Model:H25-HS Made in Germany
Code: NIV-LVL



LevelMaster[®]

Stronger. Easier. Faster. **ADJUSTABLE HOUSE STUMPS**



SHOP ONLINE

Visit our website for full product information and pricing

levelmaster.com.au 1300 538 356

BRISBANE 07 3390 4656
260 New Cleveland Road via Ingleston Road
Tingalpa QLD 4173

TOOWOOMBA 07 4633 3623
549 Boundary Street
Toowoomba QLD 4173