

# Blade Pool Fence - Specification Sheet

**Product Specifications**

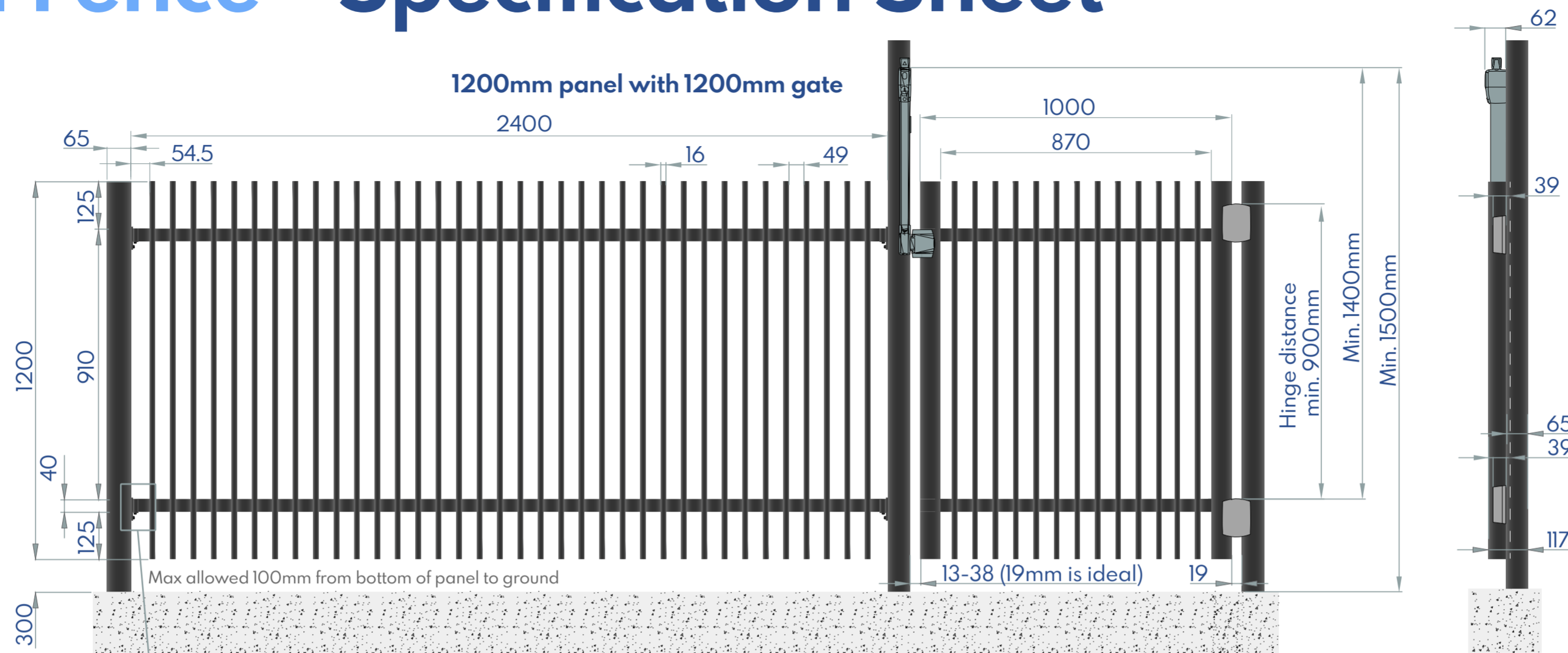
**Standards**  
AS1926.1 (2012) Pool Safety Standards

**Panels**  
6063 T5 Aluminium  
Length: 2400mm  
Heights: 1200mm, 1500mm, 1800mm  
Vertical slats: 65 x 16 x 1.2mm  
Rails: 40 x 40 x 2mm

**Fixings:**  
40 x 40mm Horizontal Rail Bracket - single lugged with two holes  
M6.3 x 25 Self Tapping Tek Screws (3 per pack)

**Gates:**  
Length: 1000mm  
Heights: 1200mm, 1500mm, 1800mm  
Vertical slats: 65 x 16 x 1.2mm  
Gate frame: 65 x 16 x 2.5mm  
Rails: 40 x 40 x 2mm

**Posts:**  
6063 T5 Aluminium  
65 x 65 x 2.5mm



Note: Detailed dimensions, other panel sizes and gates shown on following page

**Fixing Methods**

**Inground Applicaton**

For 1200mm high panels  
1800mm post required

For 1500mm high panels  
2100mm post required

For 1800mm high panels  
2400mm post required

To be set with Post Mix Concrete into hole  
200mm wide x 500 - 600mm deep

---

**Flanged Application**

For 1200mm high panels  
Min. 1300mm post required

For 1500mm high panels  
Min. 1600mm post required

For 1800mm high panels  
Min. 1900mm post required

**Structural timber:** To be fixed with  
Stainless Steel Batten Screw #10 x 75mm

**Slab:** To be fixed with Dynabolt 8 x 80mm

---

**Core Drill Application**

For 1200mm high panels  
1500mm post - cut down to desired length but no less than 1300mm

For 1500mm high panels  
1800mm post - cut down to desired length but no less than 1600mm

For 1800mm high panels  
2100mm post - cut down to desired length but no less than 1900mm

**Note:** 100mm minimum depth not including pavers or tiles

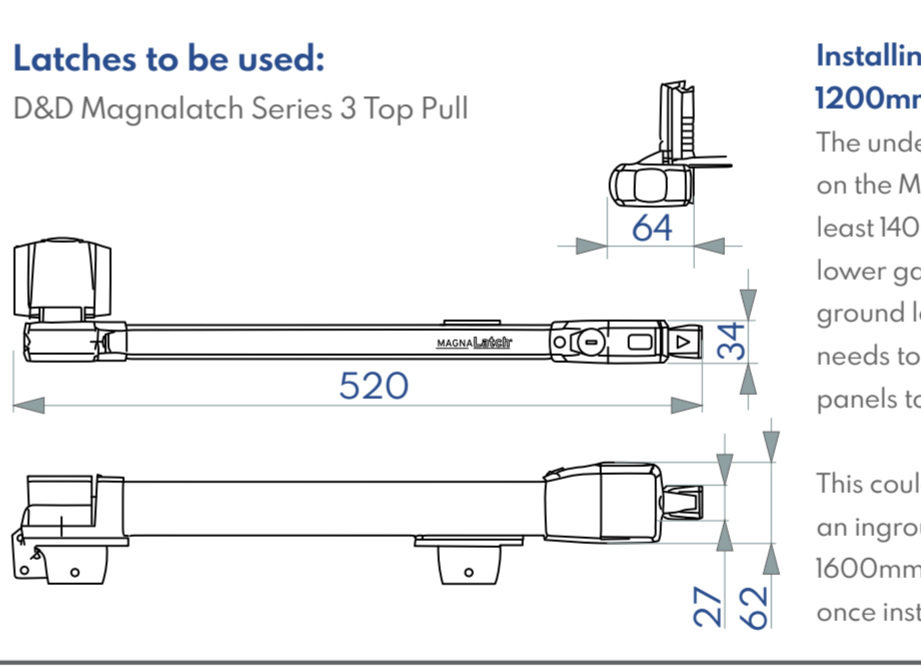
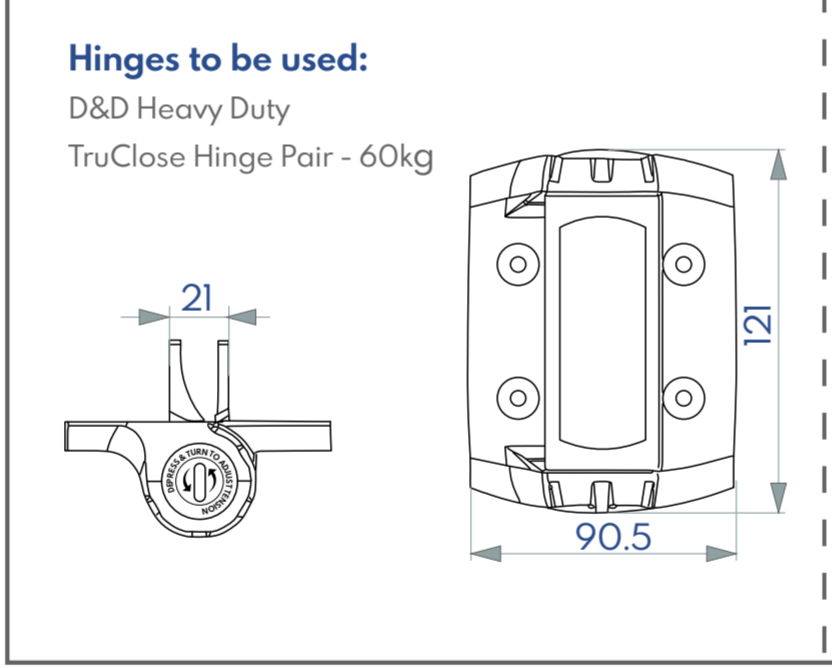
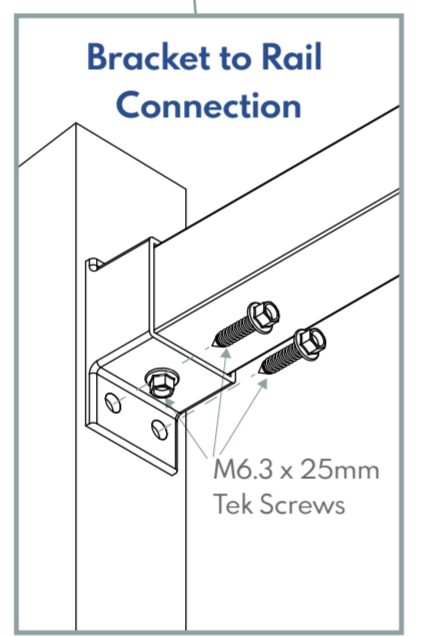
**Important**

The footing specifications in this document are general only and do not take into account site specific factors such as soil type and wind.

Independent advice relating to the appropriate footing specification should be sought prior to installation.

All measurements on Future Fence products have a manufacturing tolerance of +/- 3mm.

Gates must swing outwards, away from the pool area and self-close from any position. At no stage are pool gates to be propped open. The self closing device must be kept properly adjusted. Several clauses will depend for the installation of this system, please refer to AS1926.1.



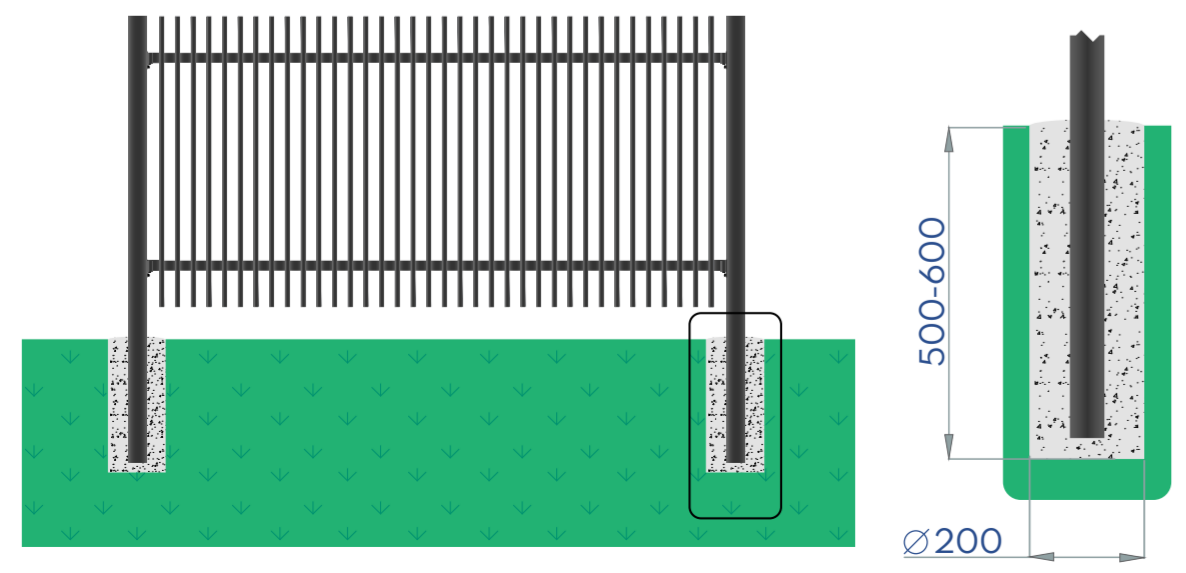
**Installing the Magnalatch for 1200mm high gates and panels:**

The underside of the latch-release handle on the Magnalatch Top Pull must be at least 1400mm higher than the top of the lower gate rail and 1500mm from finished ground level. This means a taller post needs to be installed on the 1200mm high panels to mount the Magnalatch Top Pull.

This could be a 1600mm flanged post or an inground/core drilled post that sits 1600mm above finished ground level once installed.

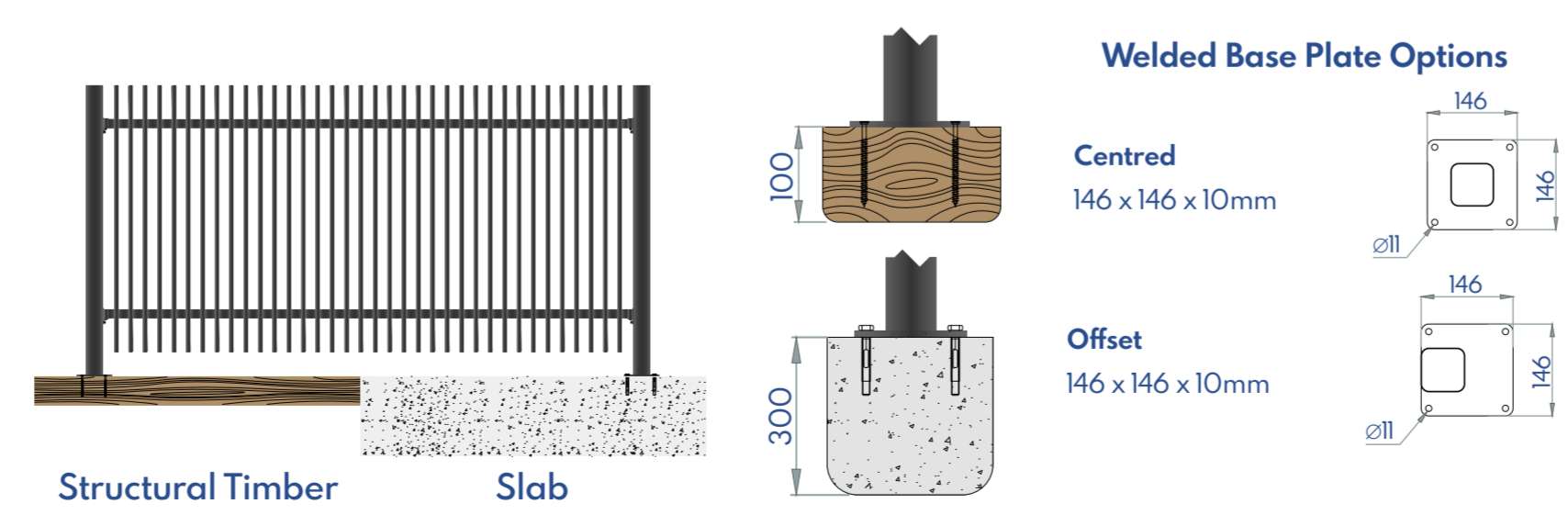
## Inground Post Detail

\*Recomended footing dimensions only



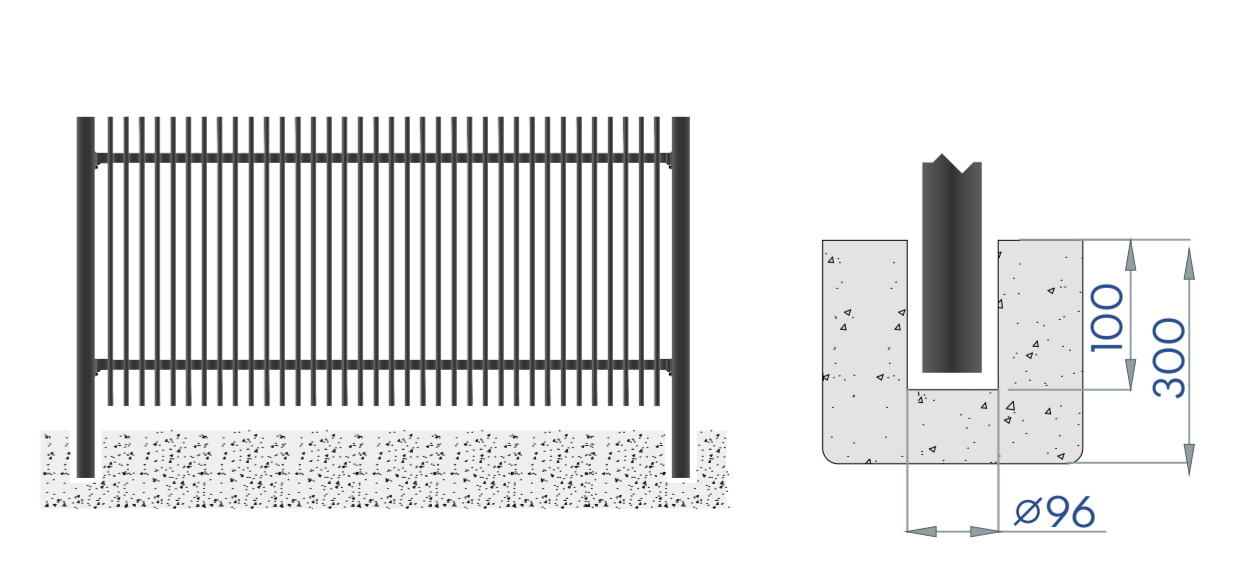
## Flanged Post Detail

\*Recomended footing dimensions only



## Core Drill Post Detail

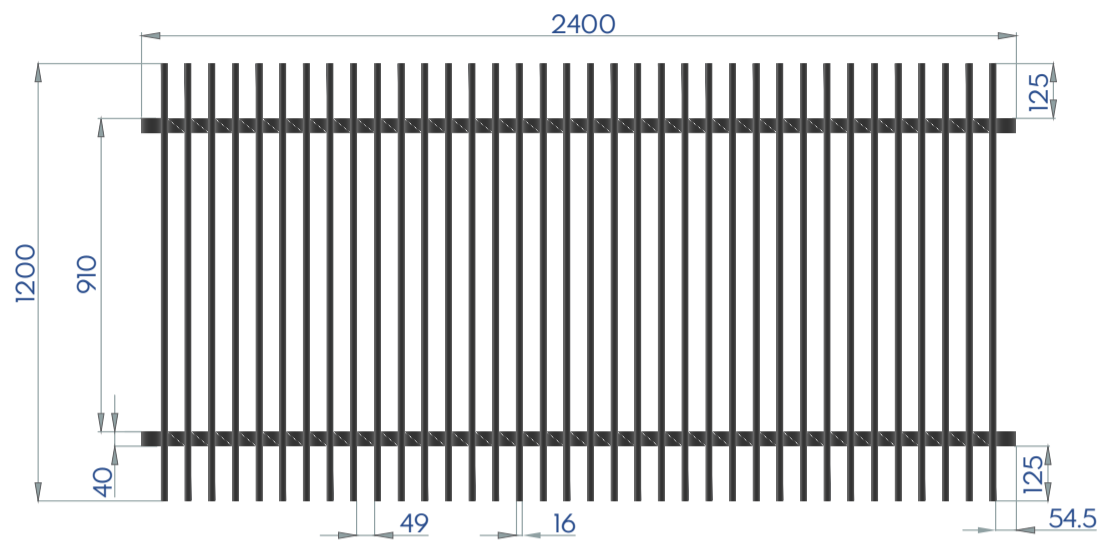
\*Recomended footing dimensions only



# Blade Panel and Gate Sizes



### 1200mm x 2400mm Panel

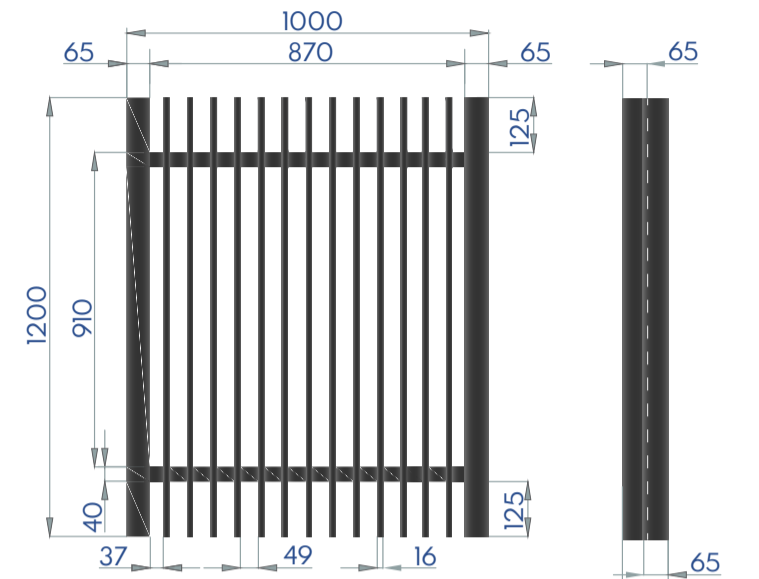


Front View

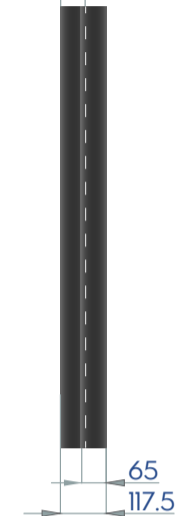


Side View

### 1200mm x 1000mm Gate

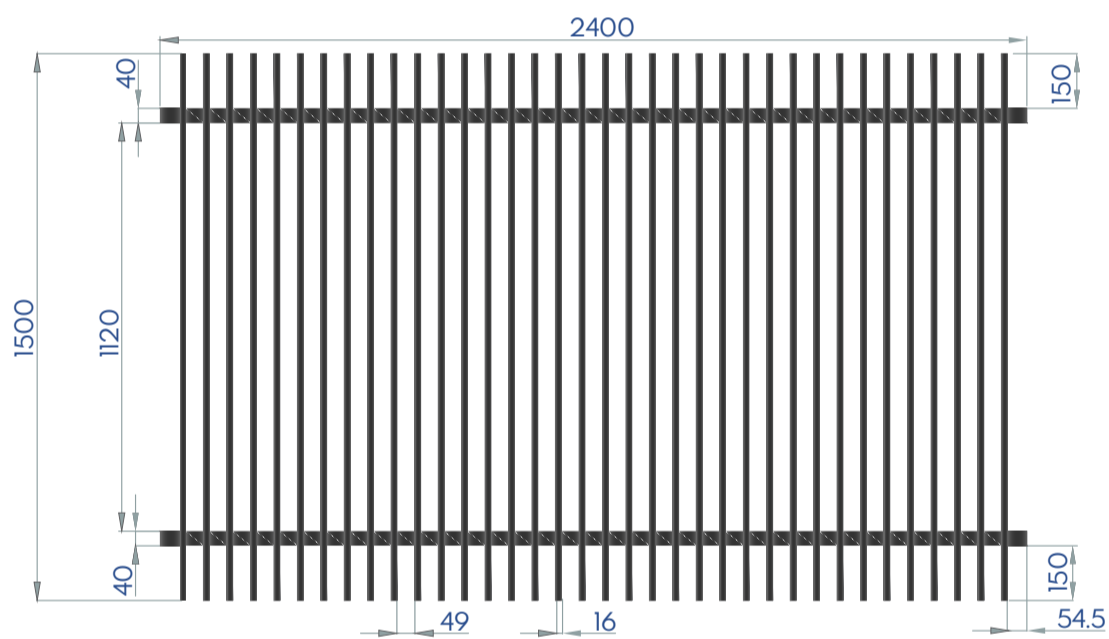


Front View



Side View

### 1500mm x 2400mm Panel

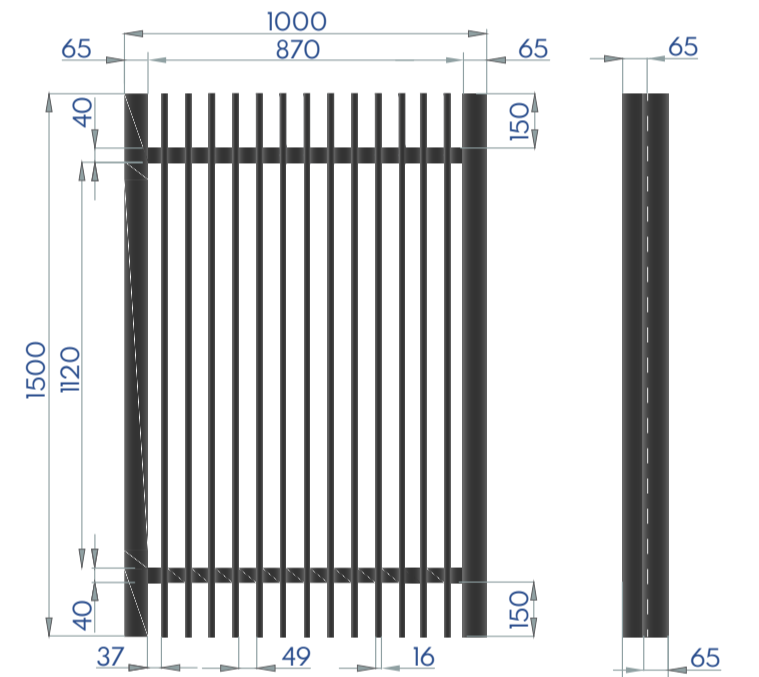


Front View

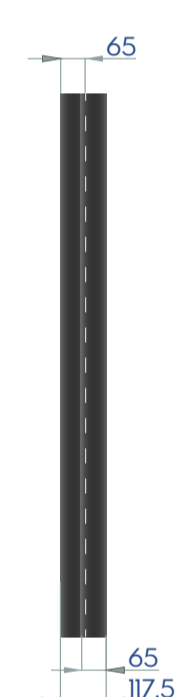


Side View

### 1500mm x 1000mm Gate

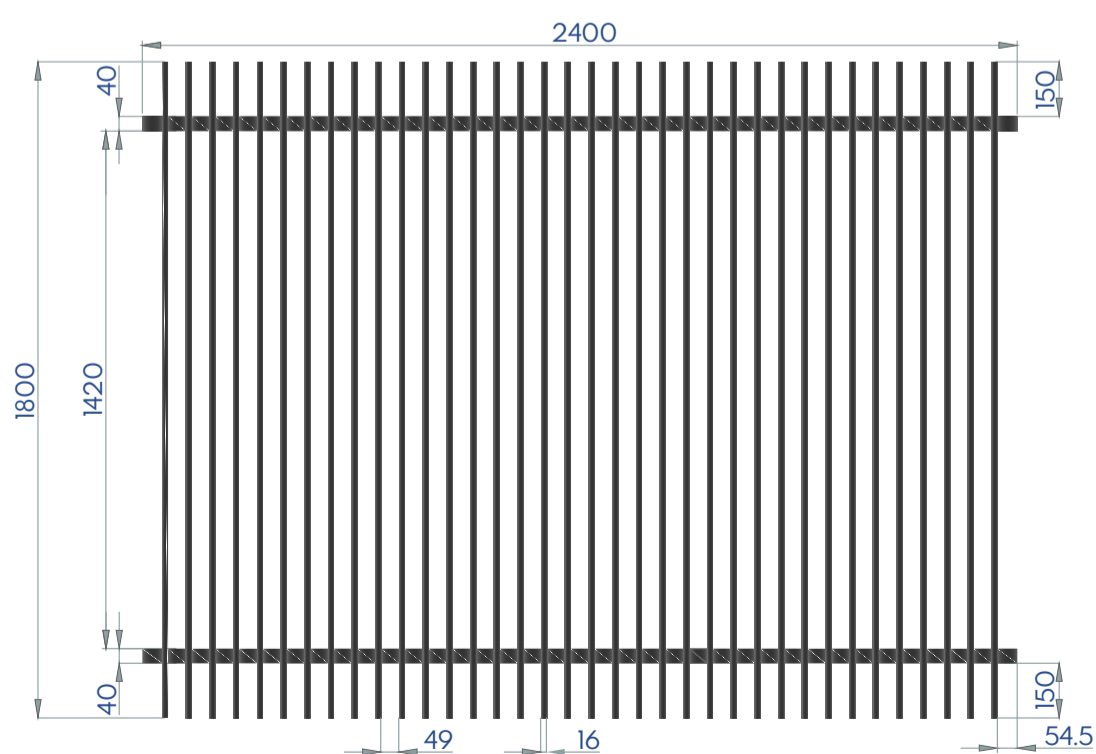


Front View



Side View

### 1800mm x 2400mm Panel

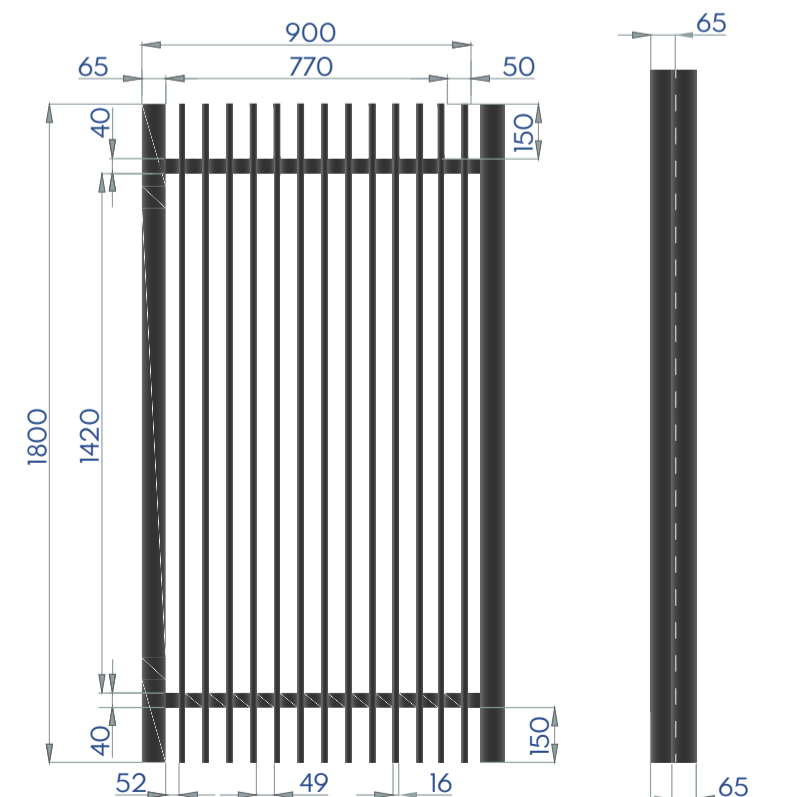


Front View

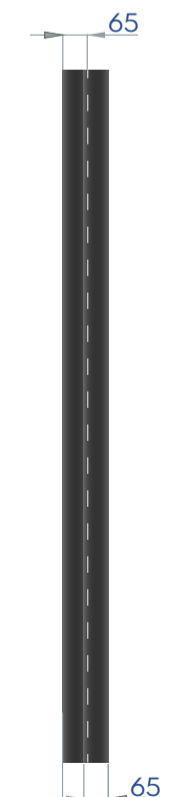


Side View

### 1800mm x 1000mm Gate



Front View



Side View