

Batten Pool Fence - Specification Sheet

Product Specifications

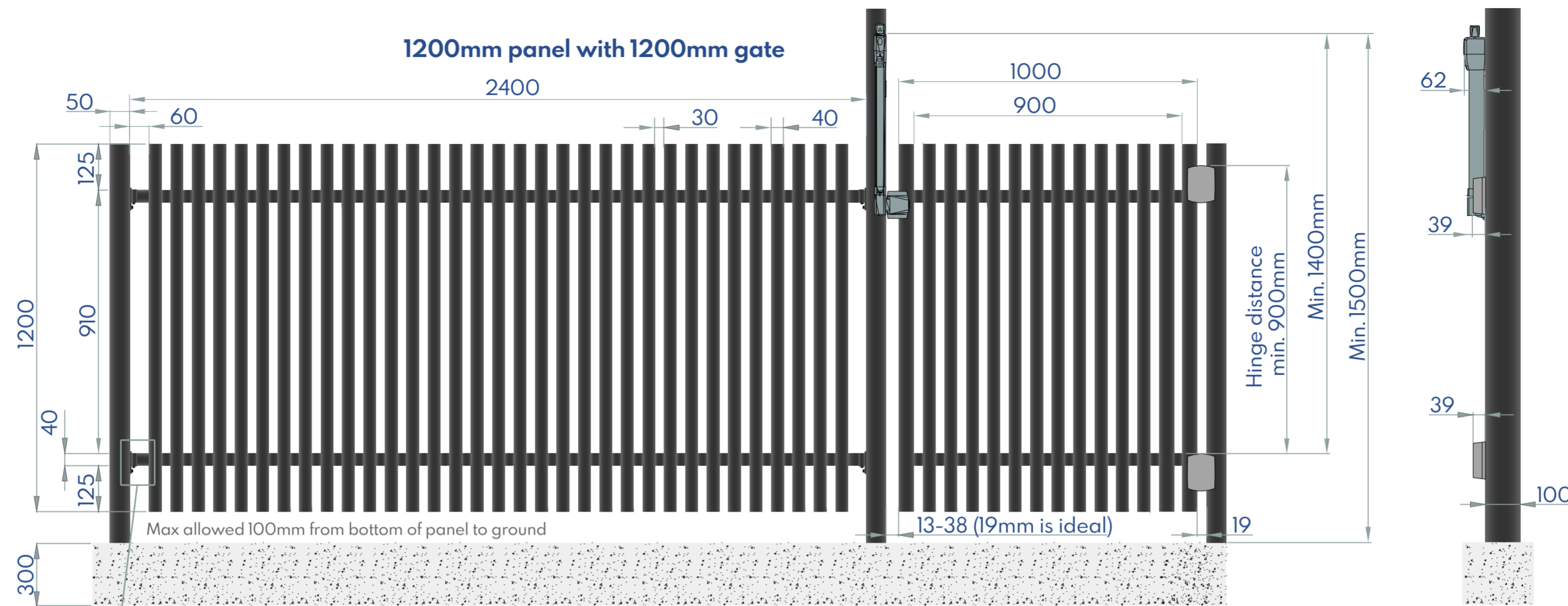
Standards
AS1926.1 (2012) Pool Safety Standards

Panels
6063 T5 Aluminium
Length: 2400mm
Heights: 1200mm, 1500mm, 1800mm
Vertical slots: 40 x 40 x 1.2mm
Rails: 40 x 40 x 2mm

Fixings:
40 x 40mm Horizontal Rail Bracket - single lugged with two holes
M6.3 x 25 Self Tapping Tek Screws (3 per bracket)

Gates:
Length: 1000mm
Heights: 1200mm, 1500mm, 1800mm
Vertical slots: 40 x 40 x 1.2mm
Gate frame: 40 x 40 x 1.2mm
Rails: 40 x 40 x 2mm

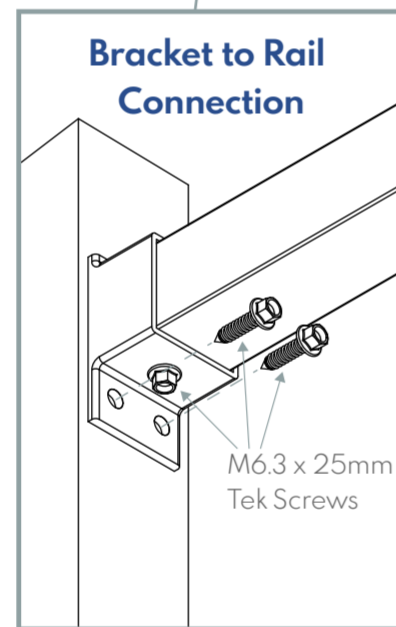
Posts:
6063 T5 Aluminium
50 x 100 x 3mm



Note: Detailed dimensions, other panel sizes and gates shown on following page

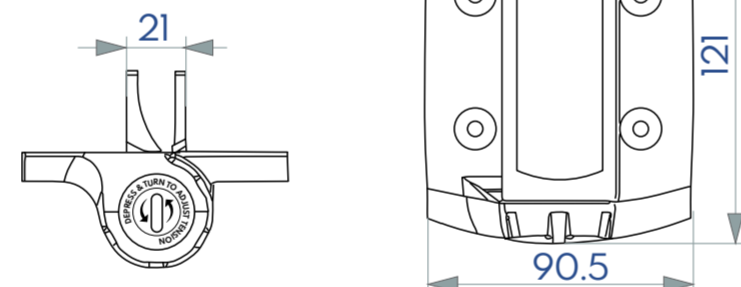
Important

The footing specifications in this document are general only and do not take into account site specific factors such as soil type and wind. Independent advice relating to the appropriate footing specification should be sought prior to installation. All measurements on Future Fence products have a manufacturing tolerance of +/- 3mm. Gates must swing outwards, away from the pool area and self-close from any position. At no stage are pool gates to be propped open. The self closing device must be kept properly adjusted. Several clauses will depend for the installation of this system, please refer to AS1926.1.



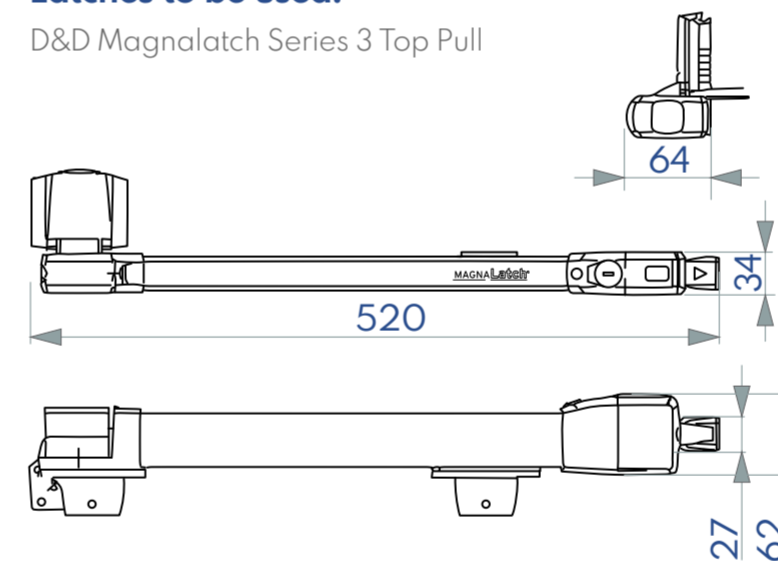
Hinges to be used:

D&D Heavy Duty
TruClose Hinge Pair - 60kg



Latches to be used:

D&D Magnalatch Series 3 Top Pull



Installing the Magnalatch for 1200mm high gates and panels:

The underside of the latch-release handle on the Magnalatch Top Pull must be at least 1400mm higher than the top of the lower gate rail and 1500mm from finished ground level. This means a taller post needs to be installed on the 1200mm high panels to mount the Magnalatch Top Pull.

This could be a 1600mm flanged post or an inground/core drilled post that sits 1600mm above finished ground level once installed.

Fixing Methods

Inground Applicaton

For 1200mm high panels
1800mm post required
For 1500mm high panels
2100mm post required
For 1800mm high panels
2400mm post required

To be set with Post Mix Concrete into hole 200mm wide x 500 - 600mm deep

Flanged Application

For 1200mm high panels
Min. 1300mm post required
For 1500mm high panels
Min. 1600mm post required
For 1800mm high panels
Min. 1900mm post required

Structural timber: To be fixed with Stainless Steel Batten Screw #10 x 75mm
Slab: To be fixed with Dynabolt 8 x 80mm

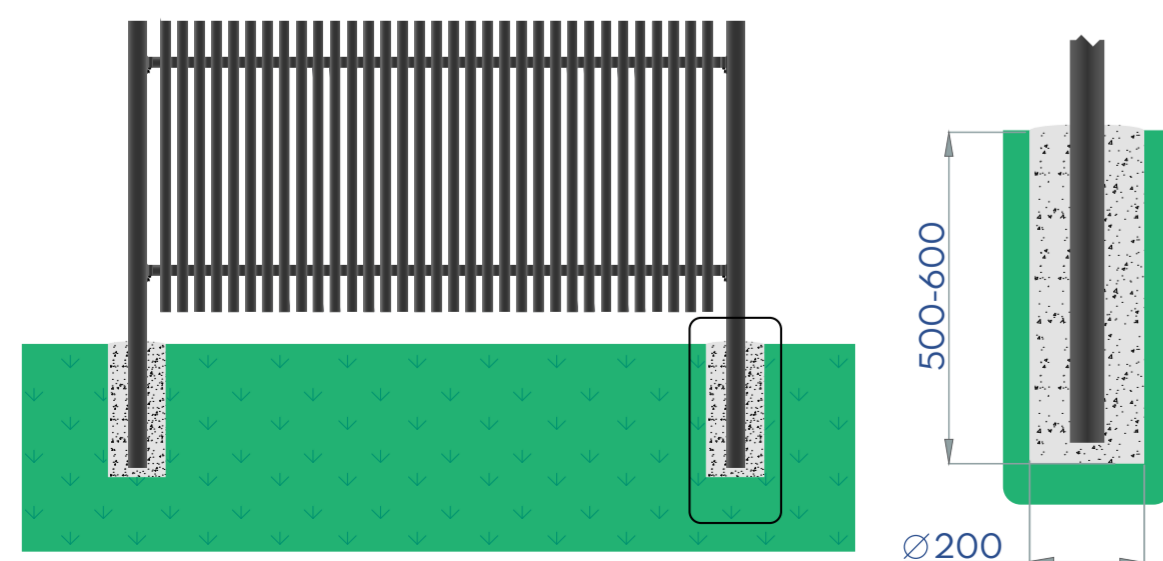
Core Drill Application

For 1200mm high panels
1500mm post - cut down to desired length but no less than 1300mm
For 1500mm high panels
1800mm post - cut down to desired length but no less than 1600mm
For 1800mm high panels
2100mm post - cut down to desired length but no less than 1900mm

Note: 100mm minimum depth not including pavers or tiles

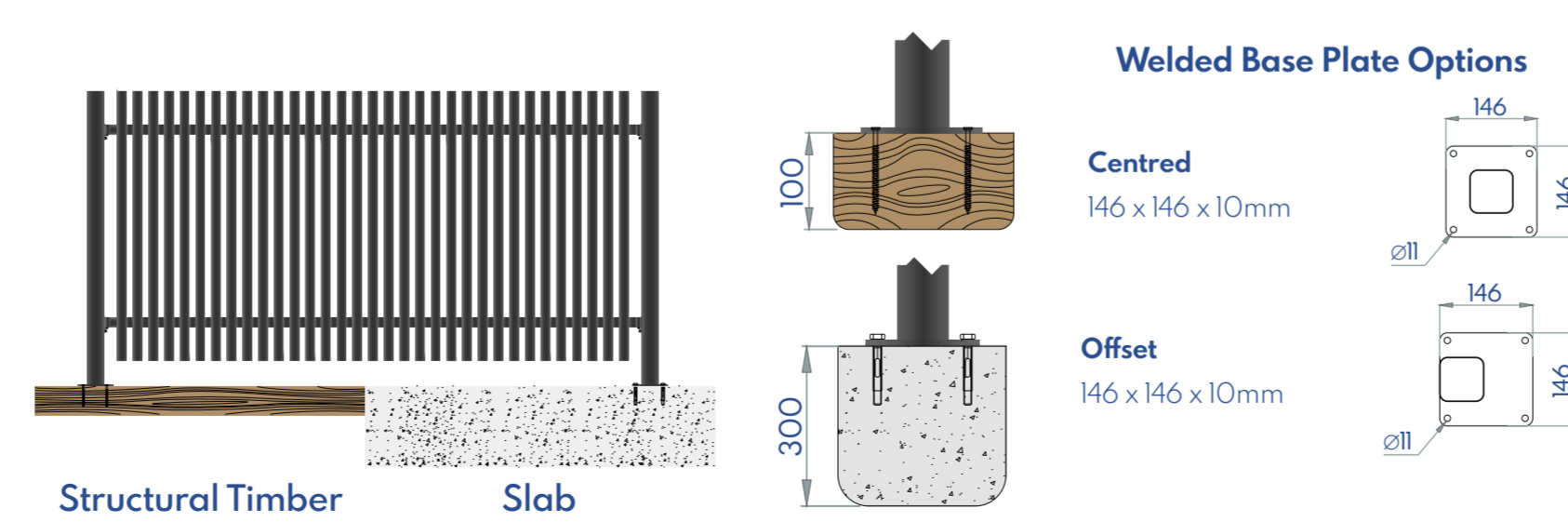
Inground Post Detail

*Recomended footing dimensions only



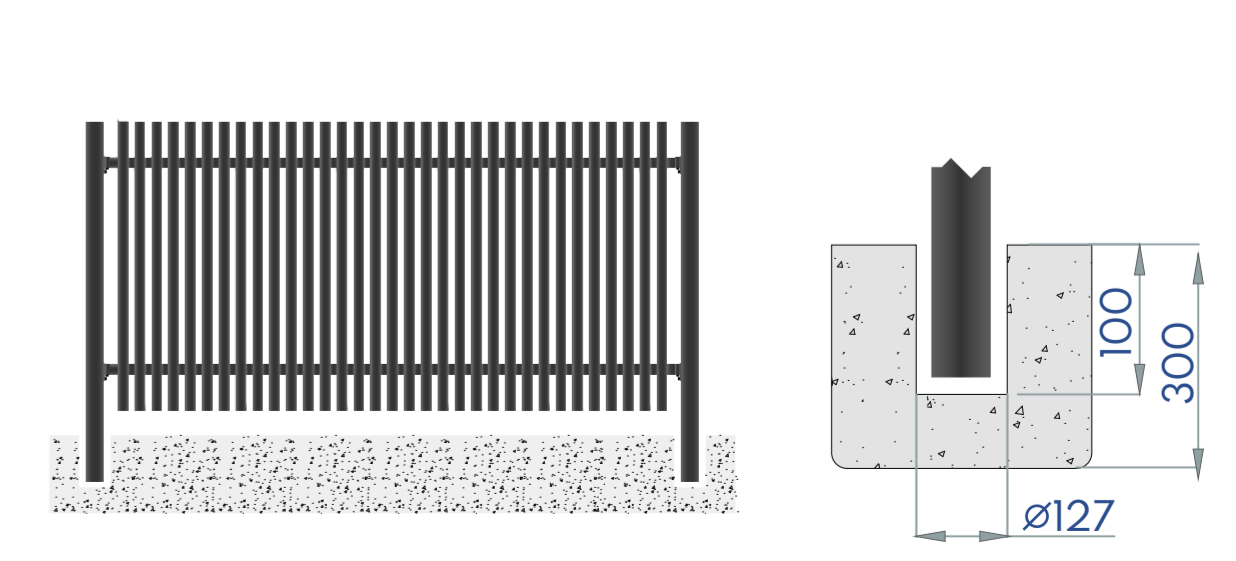
Flanged Post Detail

*Recomended footing dimensions only



Core Drill Post Detail

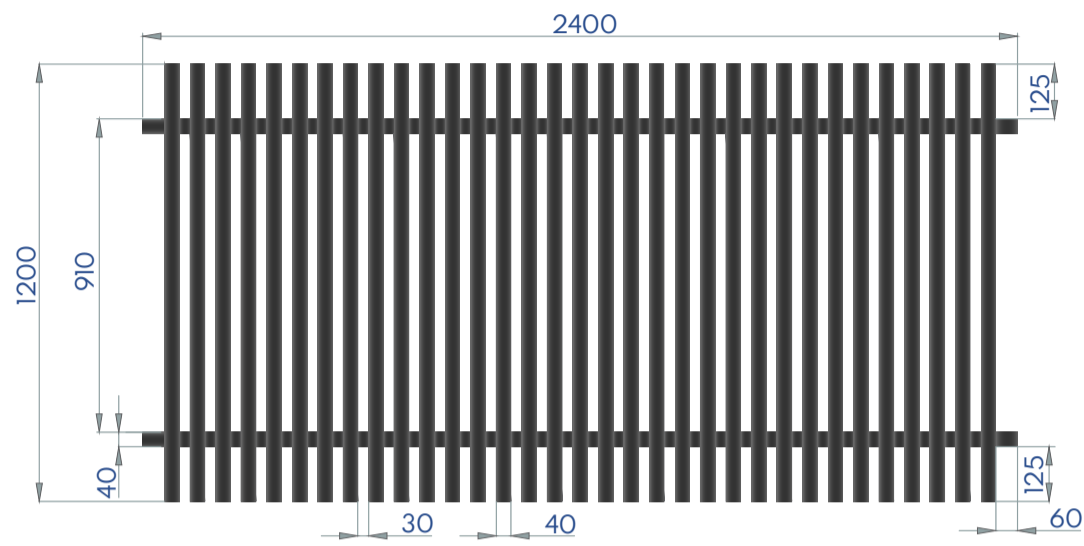
*Recomended footing dimensions only



Batten Panel and Gate Sizes



1200mm x 2400mm Panel

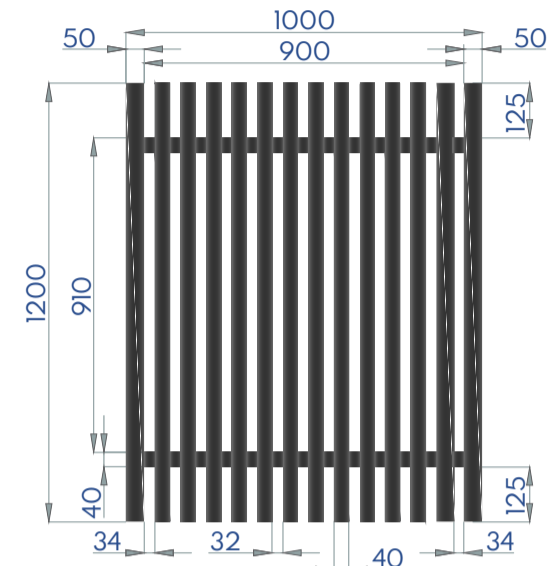


Front View

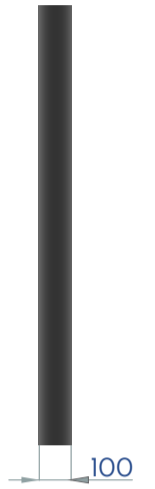


Side View

1200mm x 900mm Gate

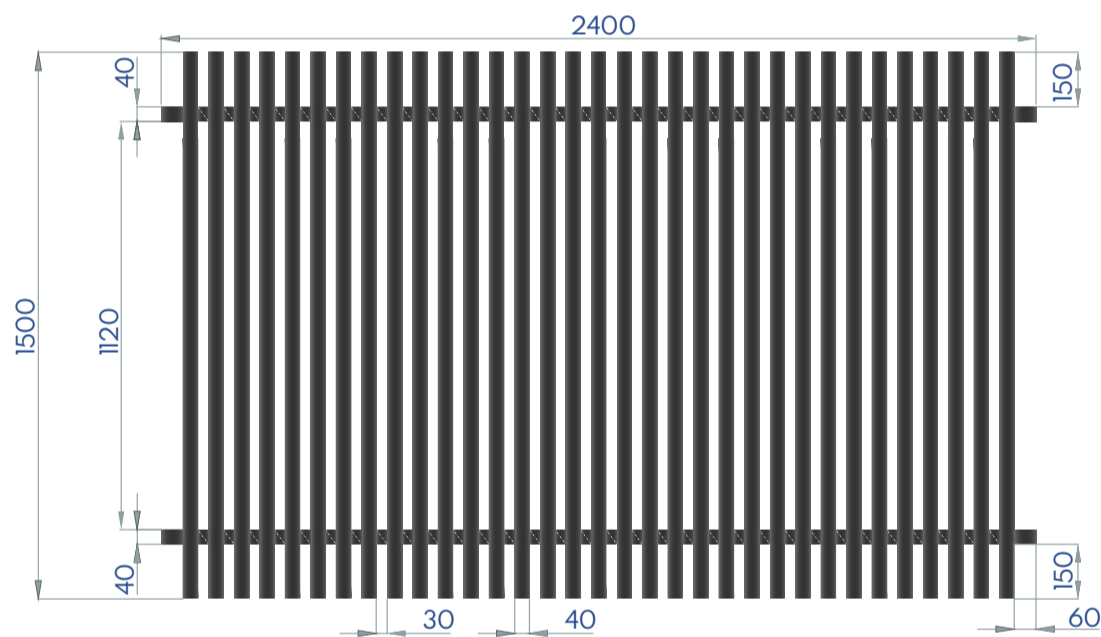


Front View



Side View

1500mm x 2400mm Panel

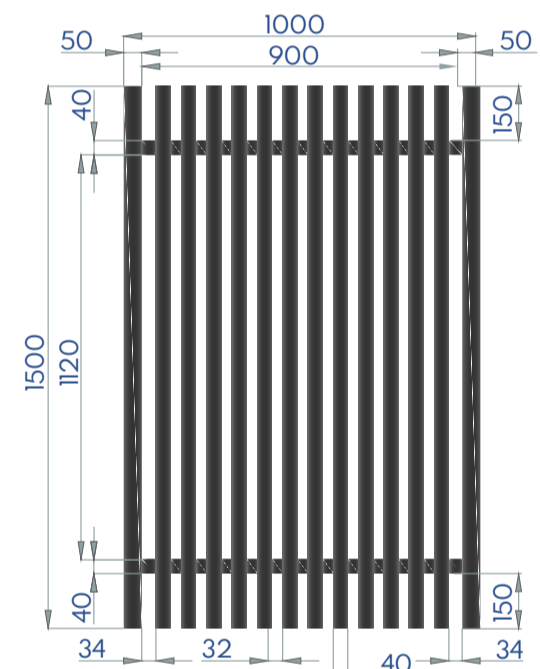


Front View

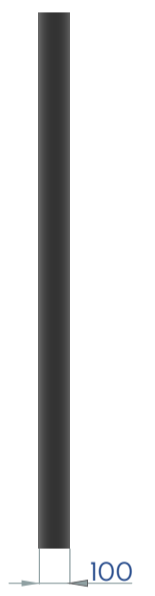


Side View

1500mm x 1000mm Gate

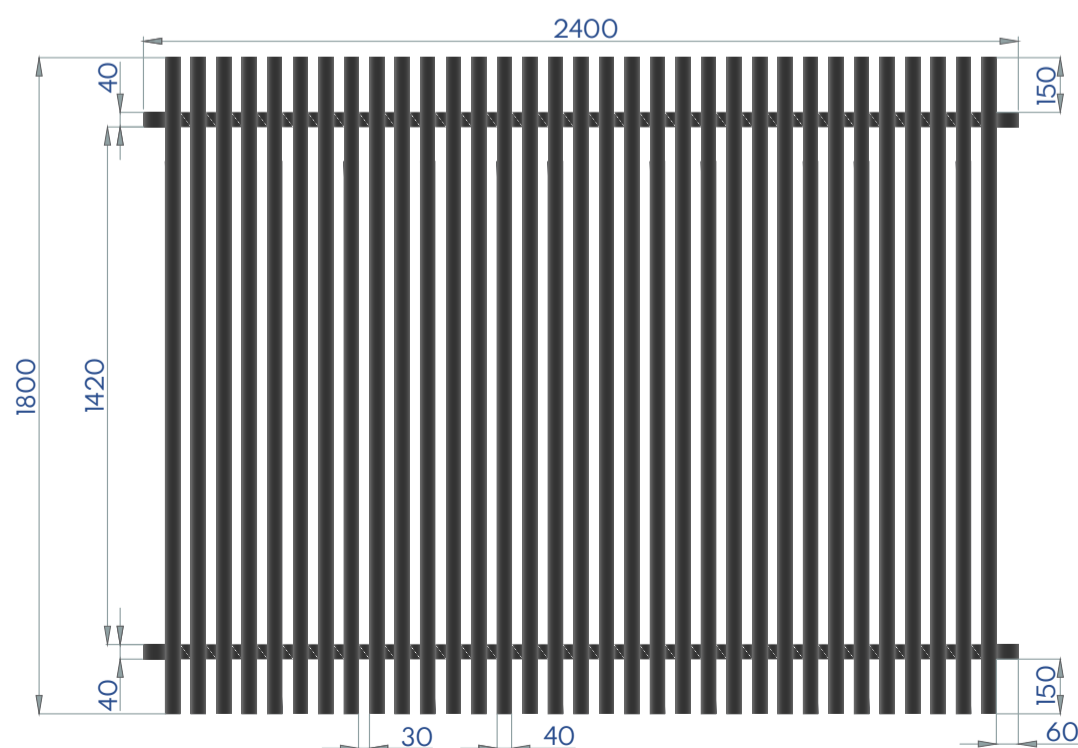


Front View



Side View

1800mm x 2400mm Panel

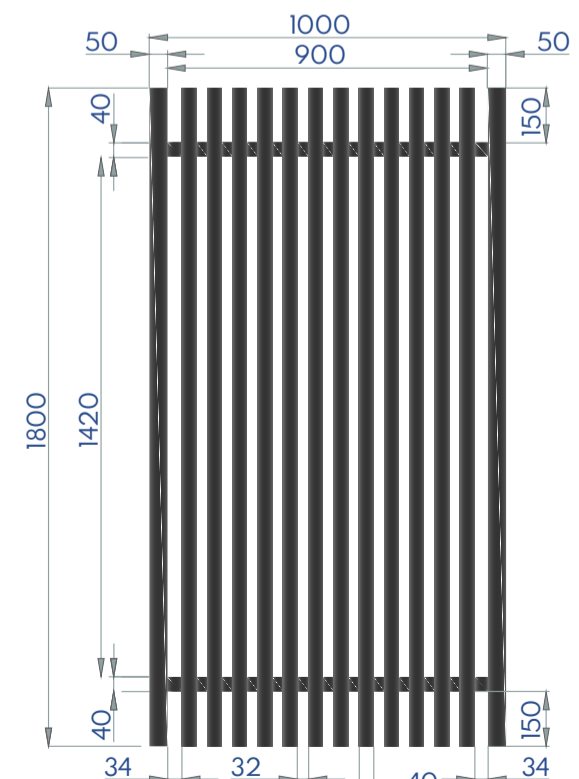


Front View

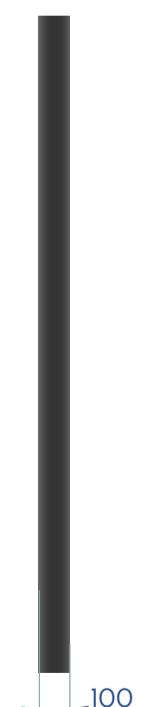


Side View

1800mm x 1000mm Gate



Front View



Side View