

# COMEUP WINCH

## Seal Slim 12.5rs 12,500 lbs Severe Duty Winch



### COMEUP USA

PN: 295057 / 12V

w/Synthetic Rope & hawse fairlead

- Tough aluminum die cast housings withstand strength of 2.0 x rated load of winch
- U.S. Germany, U.K. France, etc patented mechanical cone brake holds the full load.

### Specifications

Rated line pull:	12,500 lb (5,670 kg) single line
Line speed (1 <sup>st</sup> layer):	25.3 fpm / 7.7 mpm 45 A at 12V no load 3.0 fpm / 0.9 mpm 470 A at 12V full load
Motor:	5.0 hp / 3,730 w 12V series wound
Gear ratio:	3-stage planetary 225:1
Clutch (freespooling):	Rotating ring gear
Brake (outside the drum):	Automatic, full load CBS (Cone Brake Structure)
Winch construction:	Aluminum die cast housings with steel drum
Drum size:	2.5" x 8.9" L (63.5 x 227 mm L)
Control:	Both built-in digital signal two way wireless remote control and waterproof remote with thermometric indicator LED w/ 17' (5 m) cord
Rope:	Synthetic rope
Size:	7/16" x 82' (11 mm x 25 m)
Mounting bolt pattern:	10" x 4.5" (254 x 114 mm)
Mounting:	Foot forward mounting only
Finish:	Matte black powder-coated

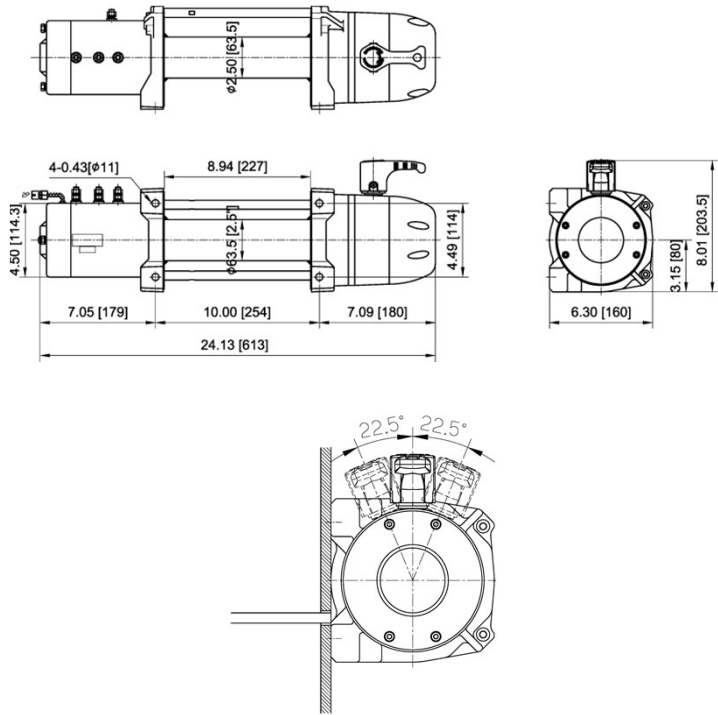
Comeup USA Inc.

Web site: [www.comeupusa.com](http://www.comeupusa.com)

Contact: [sales@comeupusa.com](mailto:sales@comeupusa.com) (503) 783 6142



## Dimension in in/mm



16 equally positioned pin holes ensure seamless clutch transmission and make it easily rotate by 22.5° Increments.

## Standard Accessories

- Hawse fairlead
- Built-in wireless remote control modules
- Remote control w/17' (5 m) cord
- Detachable control box
- Synthetic rope w/sling hook
- 6' (1.8 m) 2 gauge battery lead
- Handsaver strap
- Clamp x 2

## Warning

- The winch is not intended to be used in any manner for the movement or lifting of personnel.
- The rated line pull shown is based on the first layer of synthetic rope on the drum.
- The synthetic rope winding on the drum shall remain 10 wraps from the drum.

## Warranty

Limited lifetime warranty for mechanical components and three ( 3 ) years warranty for electrical components from date of purchase. Synthetic ropes are not included under warranty.

**Comeup USA Inc.**

Web site: [www.comeupusa.com](http://www.comeupusa.com)

Contact: [sales@comeupusa.com](mailto:sales@comeupusa.com) (503) 783 6142

## Performance Data

Line Pull and Rope Capacity		
Layer of Wire Rope	Pull by Layer lb / kg	Total Rope on the Drum ft / m
1 <sup>st</sup>	12,500 / 5,670	15.7 / 4.8
2 <sup>nd</sup>	9,919 / 4,499	35.7 / 10.9
3 <sup>rd</sup>	8,221 / 3,729	60.7 / 18.5
4 <sup>th</sup>	7,020 / 3,184	82.0 / 25.0

Line Speed and Amp. Draw ( 1 <sup>st</sup> layer of synthetic rope on the drum )			
Line Pull	Line Speed		Amp. Draw
	lb / kg	fpm	
No Load	25.3	7.7	45
2,000 / 907	11.2	3.4	75
4,000 / 1,814	8.2	2.5	160
6,000 / 2,722	6.6	2.0	230
8,000 / 3,629	5.6	1.7	300
12,500 / 5,670	3.0	0.9	470

## Options Accessories

- Winch accessory kit

## Package

- Winch weight: 65.7 lb / 29.8 kg
- Gross weight: 90 lb / 40.8 kg
- Box dimension: 26.9 " x 8.2 " x 16.9"  
(682 x 209 x 430 mm)

