

USWater
systems.com

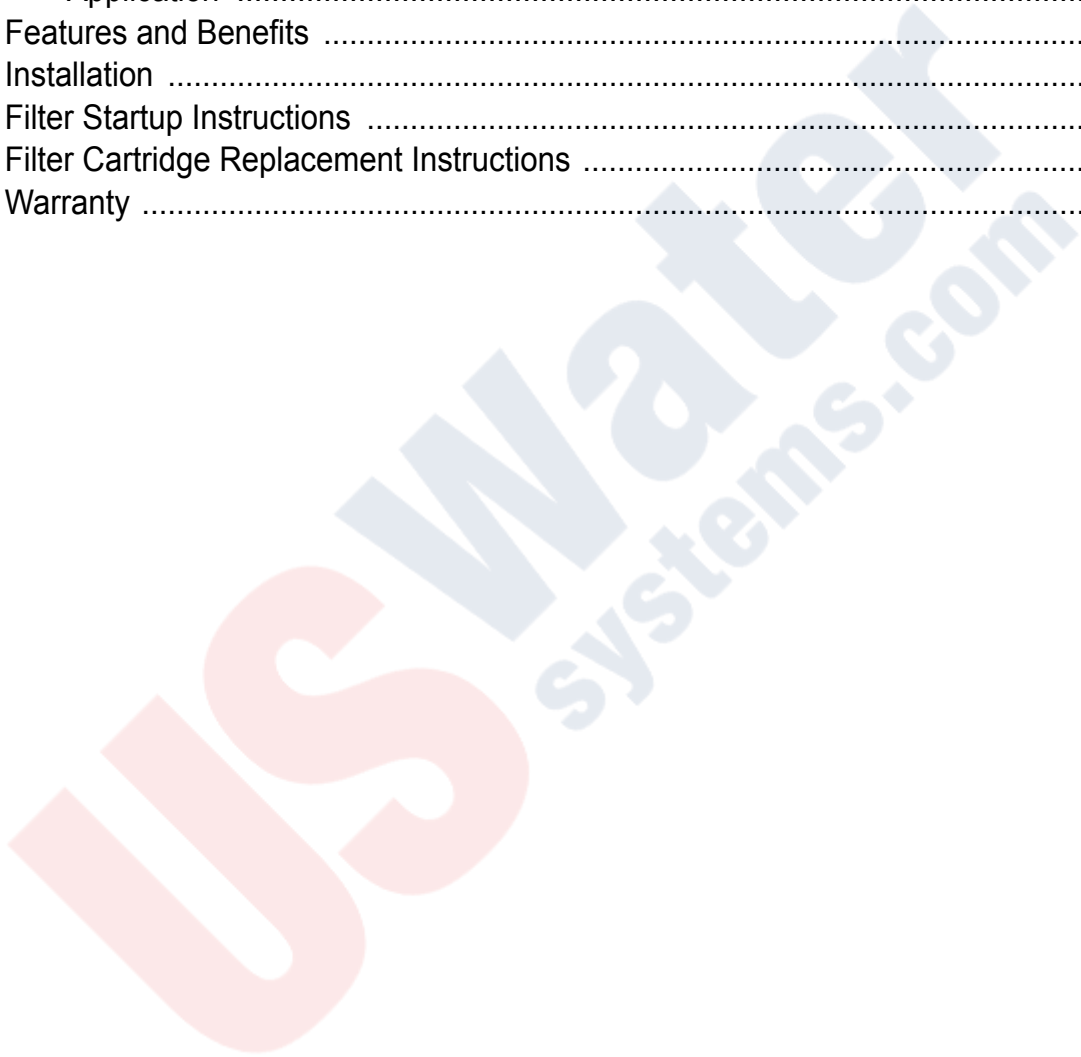
US Water High Flow Filter Housing Kit

300-H-4510-BG-222-KIT | 300-H-4520-BG-222-KIT



Table of Contents

Unpacking and Inspection	3
Safety Guide	3
System Dimensions (10")	4
System Dimensions (20")	5
High Flow Filter Specifications and Operation	6
Application	6
Features and Benefits	7
Installation	8
Filter Startup Instructions	13
Filter Cartridge Replacement Instructions	14
Warranty	17



Unpacking and Inspection

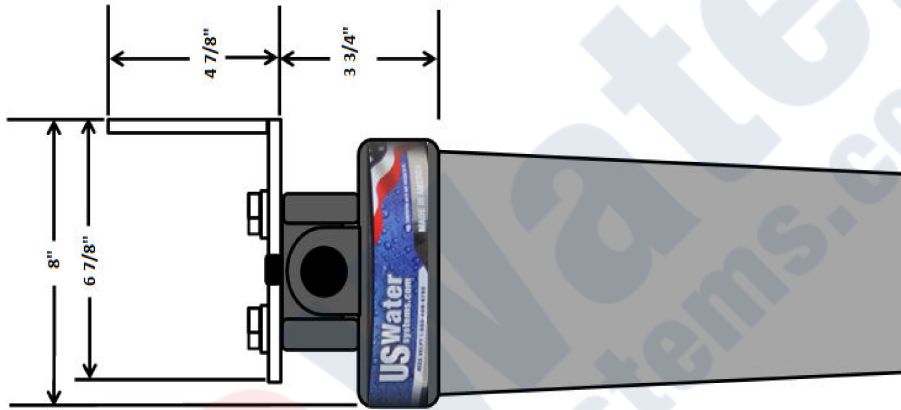
Be sure to check the entire unit for any shipping damage or lost parts. Also note damage to the shipping cartons. Contact US Water Systems at 1-800-608-8792 to report any shipping damage within **24 hours of delivery**. Claims made after 24 hours may not be honored. Small parts, needed to install the unit, will be in a parts bag. To avoid loss of the small parts, keep them in the parts bag until you are ready to use them.

Safety Guide

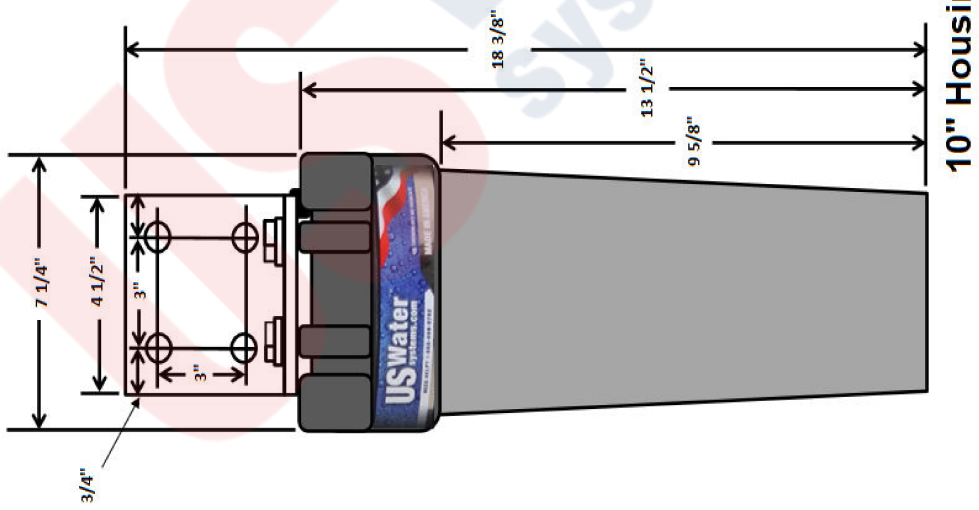
- Check and comply with your provincial / state and local codes. You must follow these guidelines
- Use care when handling the system. Do not turn upside down, drop, drag, or set on sharp protrusions
- **WARNING:** This system does not remove biological contaminants. US Water Systems recommends that bacteria levels be checked periodically to ensure there is no bacteria present. Coliform and E.coli most importantly.

System Dimensions (10")

SIDE VIEW



FRONT VIEW



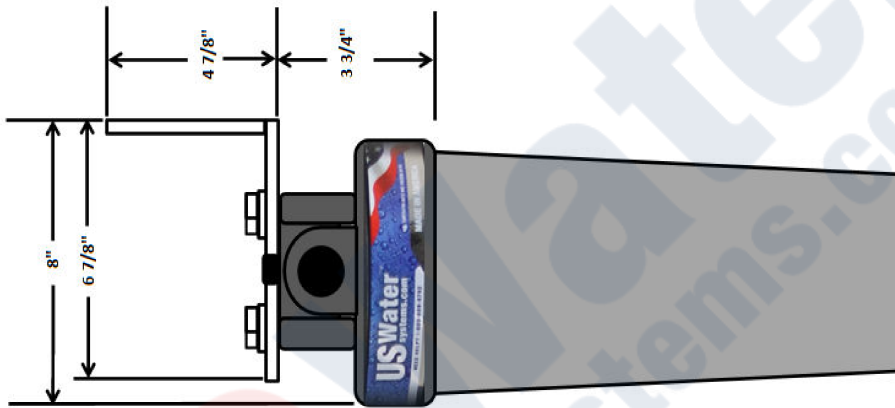
Drawn by: C. Dietz | April 24, 2019

No Scale

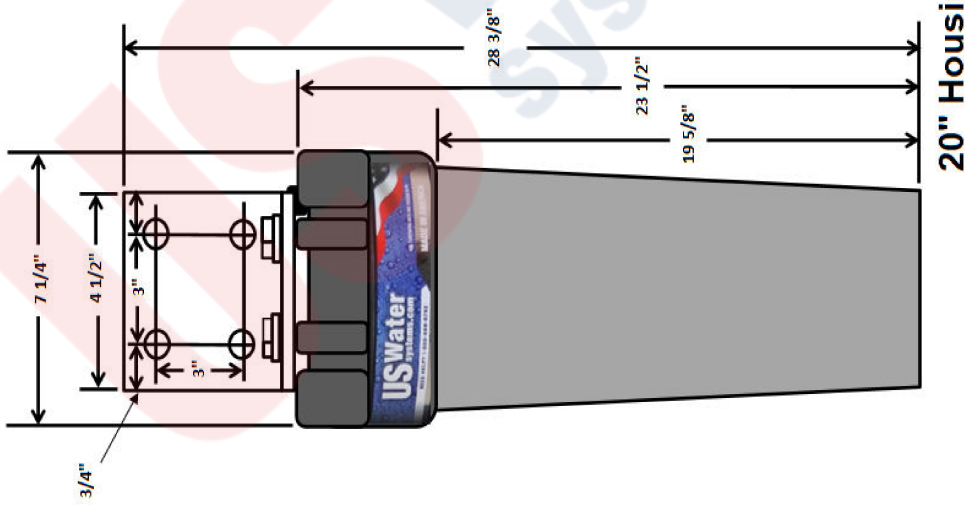
US Water Systems 4.5" x 10" Single Filtration System

System Dimensions (20")

SIDE VIEW



FRONT VIEW



High Flow Filter Specifications and Operation

The one thing most filter housings have in common is that they are made in the Far East (Usually China). Even the industry standard for "Big Blue" housings, **Pentek** is no longer made in the USA. The fact that ours are Black and Grey tells you these are not just another "Big Blue" Filter System. **These US Water Housings are made in the USA and backed with a Lifetime Warranty, which is the best in the business.**

Application

This housing is a **Whole House Filter** for point of entry such as on the main water line into the home. If you have 1" or 3/4" plumbing, this is the filter system for you. It is available with a number of different cartridges to address different water problems, such as:

- **Sediment Cartridges** - Remove sand, dirt, silt, and sediment
- **Chemical Removal Cartridges** - Remove chlorine, chloramine, chemicals, pesticides, tastes and odors.
- **Sub-Micron Cartridges** - Our Disruptor and Interceptor cartridges remove Chromium 6, heavy metals, tannin, bacteria, and many other contaminants.
- **Cartridges are Purchased Separately** - You can mix and match them as needed or call us at 800-608-8792 to talk to a Water Specialist about which cartridge is right for your application.

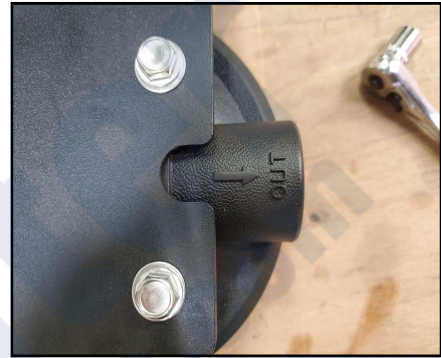
Features and Benefits

- **Black and Gray** - Made in the USA
- **Best Materials** - Built with chemical resistant reinforced Polypropylene
- **High Pressure Housings** - Pressure tested well beyond industry standards: 100°F (37.8°C) and 90 psi (6.2 bar).
- **Commercial Grade** - These rugged housings are heavy duty and built to last a lifetime.
- **Lifetime Warranty** - If you build them better, you can guarantee them better and our American Craftsmanship is unbeatable.
- **Full 1" and 3/4" Flow** - All 10 housings are 3/4" inlet/outlet and flow up to 15 GPM. All 20 inch housings have the option of 1" or 3/4" inlet/outlet and flow up to 25 GPM
- **Posi-Seal™** - Double O-Ring Posi-Seal eliminates bypass and blowby to ensure 100% filtration, unlike double open-end (DOE) filters.

Includes filter wrench, bracket, and screws.

Installation

1. Install the system in the desired location in the water treatment system. The caps are marked "IN" and "OUT" on the top of the housings.
2. Mount the housing to the bracket using the supplied screws, orienting the housing to match the applications desired flow direction.



3. Install threaded nipples or other threaded fittings in the housing. Be sure to use Teflon tape on the fittings. Tighten them with a pair of channel locks. If flex pipes with rubber gaskets are used, there is no need to Teflon tape the outer fittings. If a normal plumbing fitting is used, then be sure to Teflon tape the outer fitting.



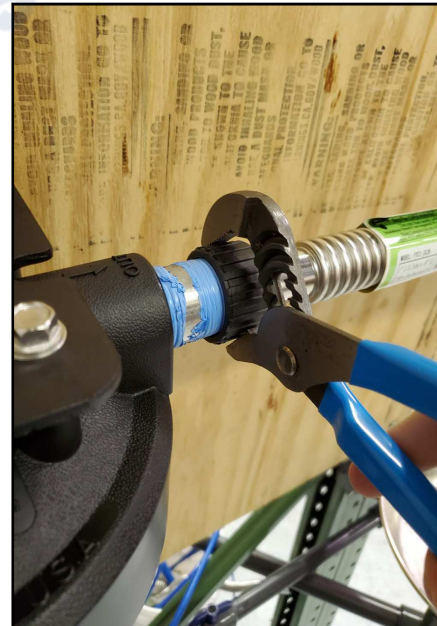
4. Use a level and pencil to mark a line on the wall. Mark the locations of the holes in the filter bracket on the wall. Make sure the correct fasteners are used to mount the system. This system needs to be mounted to a solid wall surface. A mounting board can be installed on a studded wall to ensure a good mounting surface.



5. Shut off the water and release the water pressure at the lowest sink or spigot. Cut the pipe and connect it to the filter. Connect the inlet plumbing to the inlet on the filter housing. Tighten with an adjustable wrench.



6. Connect the outlet plumbing to the outlet on the filter housing. Tighten with an adjustable wrench.



NOTE: If pipe fittings are used, be sure to use Teflon tape on the threads prior to installing the fitting on the filter housing. If copper pipe and fittings are being used, make sure all solder joints within 12-15' of the filter housing are completed and the pipe is cool, prior to connecting it to the housing fittings.

7. Remove the sump from the filter housing and install the filter. A very small amount of silicone grease or water can be used to lubricate the O-rings on the filter. The filter housing cap has a coupling that will accept the o-ringed nipple on top of the filter. Install the filter so the nipple on the top is fully seated in the filter housing cap.



8. Lubricate the O-ring on the filter housing sump and install it. Tighten the filter sump hand tight. That should be adequate. Do not use abrasive tools to tighten the housing or damage may occur.

NOTE: Adding a little bit of lubricant/silicone to the sump threads will make the sump easier to remove when replacing the filter.



NOTE: The filter will fit tightly in the housing cap. It will take force to push the filter in the cap. This ensures a positive seal. Be sure the the filter is pushed all the way in the cap.

Filter Startup Instructions

1. Open a faucet or spigot down stream of the filter. Slowly open the water shutoff valve and let the filter fill. Air will be pushed out of the filter through the open spigot or faucet downstream. Once there is no air coming out of the faucet or spigot, turn the water supply on fully and shut the faucet or spigot.
2. Check for leaks. If there are no leaks, the filter is installed and ready for service.

US Water
systems.com

Filter Cartridge Replacement Instructions

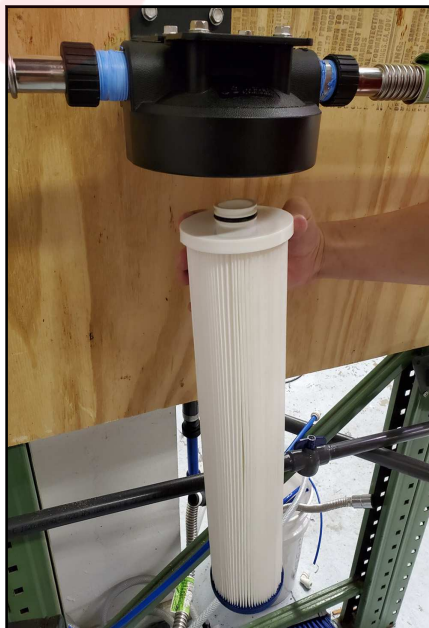
1. Shut off the water supply
2. Open the faucet or spigot closest to the filter housing and allow all the water to empty from the plumbing systems

WARNING! If the pressure is not released, the filter sump will be very difficult to get loose. It is imperative that the water pressure is released prior to attempting to remove the filter sump.

3. Remove the sump by spinning it clockwise until the sump is completely removed.



4. Remove the old filter and discard.



5. Lubricate the O-rings and install the new filter in the filter housing cap.



6. Lubricate the O-Ring for the sump and the sump threads with food grade silicone grease.



7. Install the filter sump in the filter cap by turning it counter-clockwise until it is hand tight.



8. Turn on the water supply and open a spigot downstream of the filter to release the air.
9. Once the air has been released, fully open the supply valve and close the faucet or spigot.
10. Check the housing for leaks and repair as necessary.

Warranty

For the lifetime of the original purchaser, at the original residential place of installation of this Water Conditioning System, US WATER SYSTEMS, INC. warrants the following:

Filter Housing - We warrant that for life from the date of purchase, we will replace the filter housing at no charge to you except for transportation and standard labor charges. Damages due to environmental issues or improper installation are not covered.

GENERAL PROVISIONS - This warranty does not apply to any commercial or industrial installations or to any part of the water conditioner which has been subjected to misuse, neglect, alteration or accident; or to any damage caused by fire, flood, freezing, Acts of God, or any other casualty, or if the original serial numbers have been removed.

These warranties are in lieu of all other warranties expressed, or implied, and we do not authorize any person to assume for us any other obligation on the sale of this water conditioner. No responsibility is assumed for delays or failure to meet these warranties caused by strike, government regulations or other circumstances beyond the control of US WATER SYSTEMS, INC..

To obtain warranty service, call or write: US WATER SYSTEMS, INC. 1209 Country Club Road Indianapolis, IN 46234 (800) 608-USWA.

ANY IMPLIED WARRANTIES OF FITNESS OR MERCHANTABILITY ARE LIMITED TO THE TERMS OF THIS EXPRESSED WARRANTY AND THERE ARE NO WARRANTIES WHICH EXTEND BEYOND THOSE HEREIN. US WATER SHALL NOT BE LIABLE FOR ANY INCIDENTAL OR CONSEQUENTIAL DAMAGES.

SOME STATES DO NOT ALLOW THE EXCLUSION OR LIMITATIONS OF INCIDENTAL OR CONSEQUENTIAL DAMAGES SO THE ABOVE LIMITATION MAY NOT APPLY TO YOU. THIS WARRANTY GIVES YOU SPECIFIC LEGAL RIGHTS, AND YOU MAY ALSO HAVE OTHER RIGHTS WHICH VARY FROM STATE TO STATE.

THIS WARRANTY MAY BE TRANSFERRED TO A SUBSEQUENT OWNER WITH WRITTEN APPROVAL OF US WATER AND PAYMENT OF STANDARD TRANSFER FEE.