

USWater
systems.com

US Water Big Blue Commercial Filter Housing

300-H-4510-KIT | 300-H-4520-KIT



Table of Contents

Unpacking and Inspection	3
Safety Guide	3
System Dimensions (10")	4
System Dimensions (20")	5
Installation	6
Filter Startup Instructions	10
Filter Cartridge Replacement Instructions	11



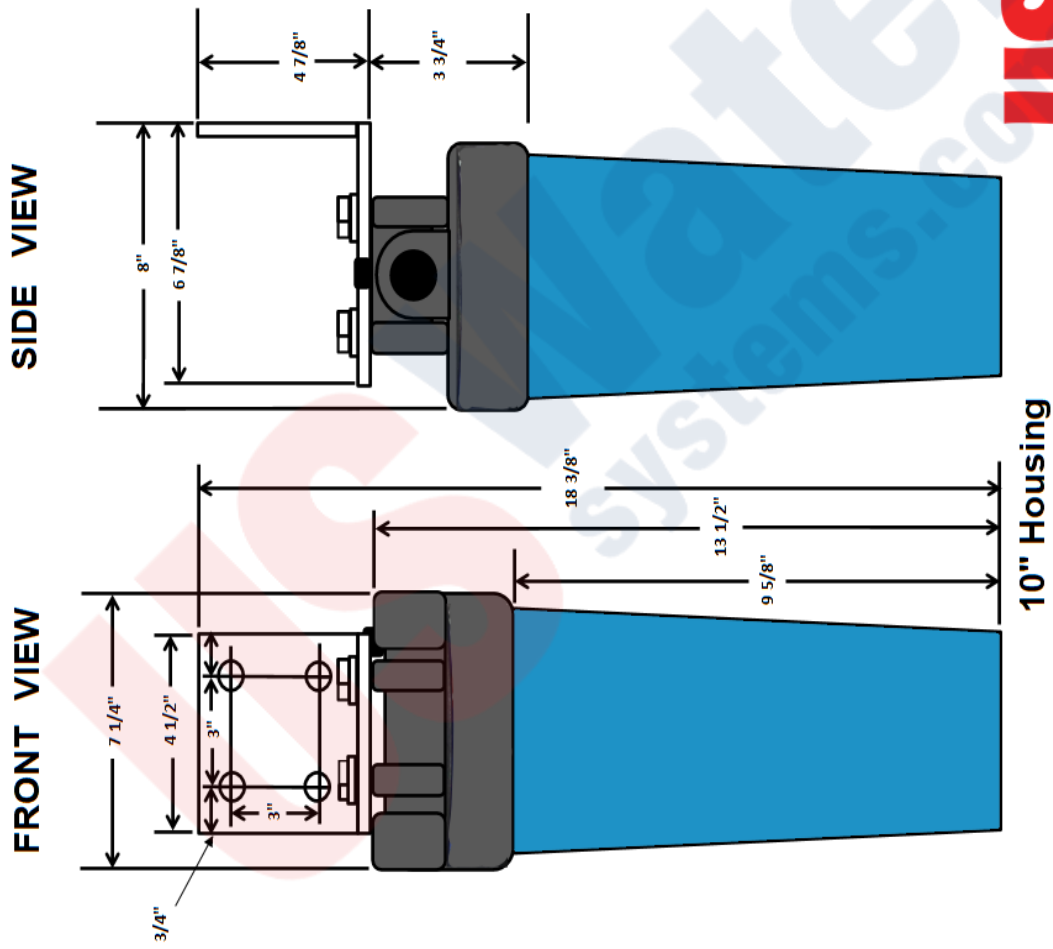
Unpacking and Inspection

Be sure to check the entire unit for any shipping damage or lost parts. Also note damage to the shipping cartons. Contact US Water Systems at 1-800-608-8792 to report any shipping damage within **24 hours of delivery**. Claims made after 24 hours may not be honored. Small parts, needed to install the unit, will be in a parts bag. To avoid loss of the small parts, keep them in the parts bag until you are ready to use them.

Safety Guide

- Check and comply with your provincial / state and local codes. You must follow these guidelines
- Use care when handling the system. Do not turn upside down, drop, drag, or set on sharp protrusions
- **WARNING:** This system does not remove biological contaminants. US Water Systems recommends that bacteria levels be checked periodically to ensure there is no bacteria present. Coliform and E.coli most importantly.

System Dimensions (10")

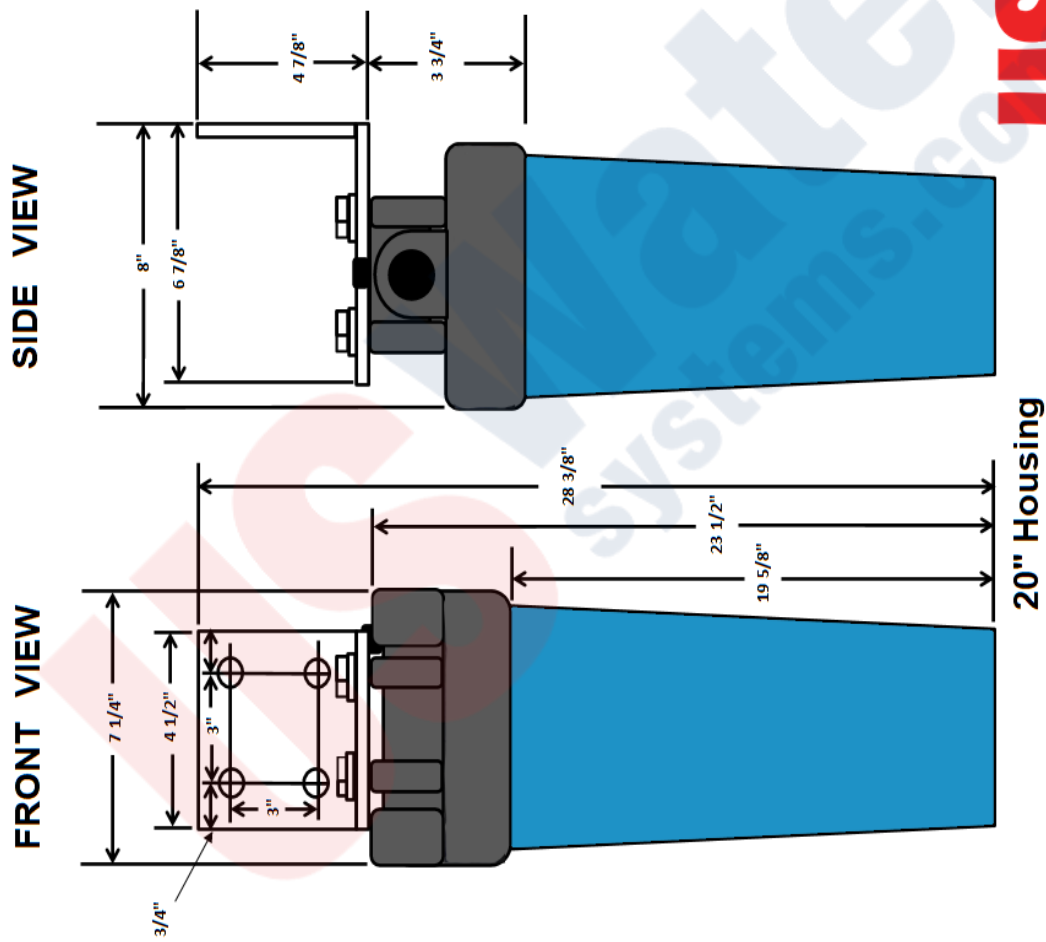


Drawn by: C. Dietz | April 24, 2019

No Scale

US Water Systems 4.5" x 10" Single Filtration System

System Dimensions (20")



Installation

1. Install the system in the desired location in the water treatment system. The caps are marked "IN" and "OUT" on the top of the housings.
2. Mount the housing to the bracket using the supplied screws, orienting the housing to match the applications desired flow direction.



3. Install threaded nipples or other threaded fittings in the housing. Be sure to use Teflon tape on the fittings. Tighten them with a pair of channel locks. If flex pipes with rubber gaskets are used, there is no need to Teflon tape the outer fittings. If a normal plumbing fitting is used, then be sure to Teflon tape the outer fitting.



4. Use a level and pencil to mark a line on the wall. Mark the locations of the holes in the filter bracket on the wall. Make sure the correct fasteners are used to mount the system. This system needs to be mounted to a solid wall surface. A mounting board can be installed on a studded wall to ensure a good mounting surface.



5. Shut off the water and release the water pressure at the lowest sink or spigot. Cut the pipe and connect it to the filter. Connect the inlet plumbing to the inlet on the filter housing. Tighten with an adjustable wrench.

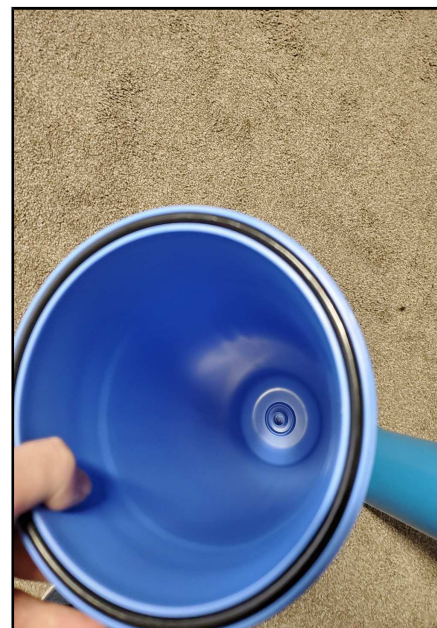


6. Connect the outlet plumbing to the outlet on the filter housing. Tighten with an adjustable wrench.



NOTE: If pipe fittings are used, be sure to use Teflon tape on the threads prior to installing the fitting on the filter housing. If copper pipe and fittings are being used, make sure all solder joints within 12-15' of the filter housing are completed and the pipe is cool, prior to connecting it to the housing fittings.

7. Remove the sump from the filter housing and install the filter. Place the filter inside the filter sump while making sure it is centered. There is a notch in the bottom of the sump to aid this. If using a carbon or specialty filter, ensure that the rubber gasket is in place on top of the filter when installing.



- Lubricate the O-ring on the filter housing sump and install it. Tighten the filter sump hand tight. That should be adequate. Do not use abrasive tools to tighten the housing or damage may occur.

NOTE: Adding a little bit of lubricant/silicone to the sump threads will make the sump easier to remove when replacing the filter.



Filter Startup Instructions

1. Open a faucet or spigot down stream of the filter. Slowly open the water shutoff valve and let the filter fill. Air will be pushed out of the filter through the open spigot or faucet downstream. Once there is no air coming out of the faucet or spigot, turn the water supply on fully and shut the faucet or spigot.
2. Check for leaks. If there are no leaks, the filter is installed and ready for service.

US Water
systems.com

Filter Cartridge Replacement Instructions

1. Shut off the water supply
2. Open the faucet or spigot closest to the filter housing and allow all the water to empty from the plumbing systems

WARNING! If the pressure is not released, the filter sump will be very difficult to get loose. It is imperative that the water pressure is released prior to attempting to remove the filter sump.

3. Remove the sump by spinning it clockwise until the sump is completely removed.



4. Remove the old filter and discard.



5. Place the filter inside the filter sump while making sure it is centered. There is a notch in the bottom of the sump to aid this. If using a specialty filter, ensure the rubber gasket on top of the filter is in place.
6. Lubricate the O-Ring for the sump and the sump threads with food grade silicone grease.
7. Install the filter sump in the filter cap by turning it counter-clockwise until it is hand tight.



8. Turn on the water supply and open a spigot downstream of the filter to release the air.
9. Once the air has been released, fully open the supply valve and close the faucet or spigot.
10. Check the housing for leaks and repair as necessary.