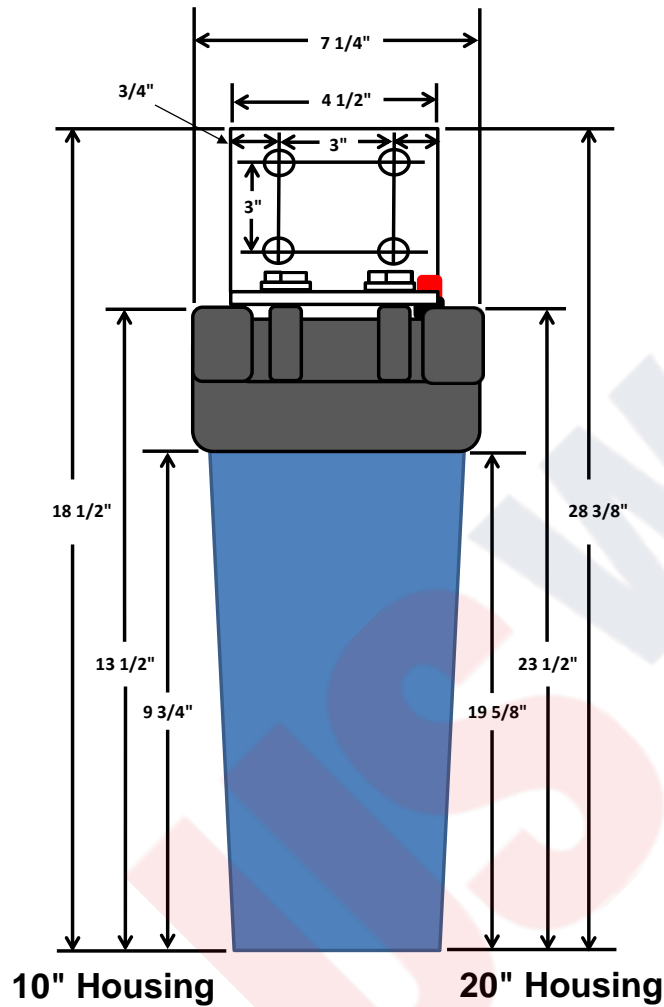
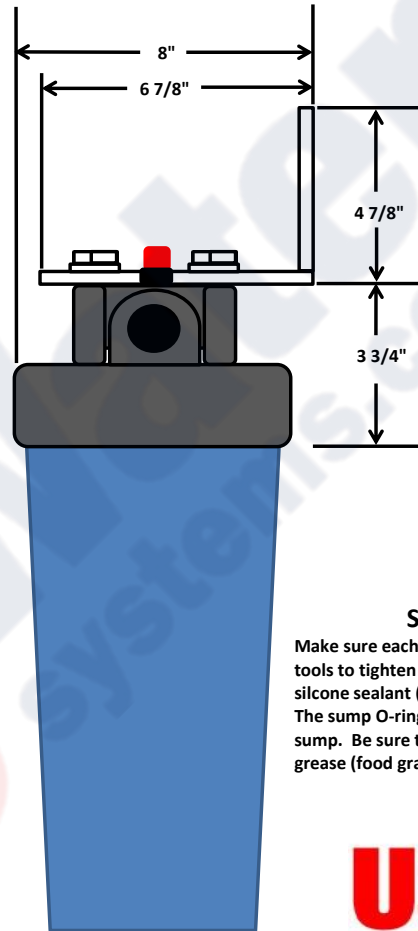


FRONT VIEW



SIDE VIEW



Special Instructions

Make sure each screw has a washer. DO NOT use power tools to tighten screws. Be sure to use teflon tape and silicone sealant (food grade) on the inlet/outlet fittings. The sump O-ring will be shipped in the bottom of the sump. Be sure to lubricate the O-ring with silicone grease (food grade).

