

USWater
systems.com

Galaxy 5-Stage Reverse Osmosis System

200-GX-5050



GalaxyRO

Table of Contents

Parts Check List	3
Parts Overview	5
Tools Needed	6
Quick Connect Fittings	7
How To Make a Connection	7
Disconnecting	8
Installation Location	9
Installation	10
Faucet Installation	10
Feed Water Angle Stop Valve and Tubing Installation	13
Drain Saddle Installation	14
Tank Installation	15
Initial Tubing Connections	16
RO Filters Installation	16
Membrane Installation	20
RO Unit Installation	23
Final Tubing Connections	23
System Start Up	26
Prior to Start Up	26
Flushing System and Checking Operation	26
Air Purging	26
Maintenance	28
Sanitizing Filter Change Instructions	29
Flushing System and Checking Operation	30
Air Purging	30
Why the Regular Use of Sani-System is Important	31
Standard Flow Diagram	32
Warranty	33

Parts Check List


- RO Module

- Tubing Bundle 

- Filter Wrench 

- 1/4" Drain Saddle 

- Tank Valve 

- Angle Stop Feed Valve 

- Tank and Side Mount Tank Stand 

- Faucet and Mounting Kit 

- Faucet Connector 

- Pre and Post Filters + Membrane



- Sanitizing Packet and Syringe



- Teflon Tape



US Water
systems.com

Parts Overview

- **Pre-Filter (Sediment Filter)** - Removes larger particles such as sand, silt, rust and scale.
- **Pre-Filter (Activated Carbon Filters)** - Removes chlorine in the feed water to protect the reverse osmosis membrane.
- **Reverse Osmosis Membrane** - Reduces *dissolved* minerals, metals and salts. During the process, harmful compounds are separated by the membrane and the reject water goes to waste (drain).
- **Post-Filter** - Provides a final "polish" and removes foul tastes and odors to provide great tasting drinking water.
- **RO Module** - Housings hold the pre-filters and membrane while the bracket is provided to mount the system, typically below a sink.
- **Storage Tank** - Holds filtered water that is ready for use.
- **Automatic Shut-Off Valve (ASO)** - Senses when the storage tank is full and closes the water supply to conserve water.
- **Faucet** - Used to dispense RO produced water when needed.
- **Feed Water Angle Stop Valve** - Connected to the cold water line to supply water to the RO system.
- **1/4" Waste Water Saddle Valve** - Connected to the drain to remove reject water from the RO system. (If using an air gap faucet, this will need to be a 3/8" saddle valve.)
- **Tubing** - Supplies feed and reject water.
- **Fittings** - Used for necessary hose connections.

Tools Needed

The following tools may be necessary depending on each particular installation:

- 3/8 Drill and 1/4" drill bit



- Faucet Drill Bit (For standard faucets, use a 7/16" drill bit. For Air Gap faucets, use a 7/8" minimum, 1 1/8" maximum drill bit.)



- Phillips head and flat blade screwdrivers



- Adjustable wrench



- Teflon tape



- Plastic Tube Cutter



Quick Connect Fittings

Many RO systems utilize quick connect fittings. These user-friendly fittings provide superior performance and are provided with this system. Proper use of these push-in fittings is shown below. Along with these fittings, all tubing selected must be of high quality and must be cut with a plastic tube cutter or sharp razor with a clean, square cut.

How To Make a Connection

1. **Cut the Tube Square** - It is essential that the outside diameter be free from score marks and that burrs and sharp edges be removed before inserting the tube into the fitting. For soft, thin walled tubing, we recommend the use of tube inserts.



2. **Insert Tube** - The fittings will grip before a seal is formed. Ensure the tubing is pushed fully into the tube stop.



3. **Push up to the Tube Stop** - Push the tubing into the fitting, up to the tube stop. The collet (gripper) has stainless steel teeth which hold the tubing firmly in position while the O-ring provides a permanent, leak proof seal.



4. **Pull to Check Secure** - Pull on the tubing to check that it is secure. It is a good practice to test the system prior to leaving the site and/or before use.



Disconnecting

Push in Collet and Remove Tubing - To disconnect, ensure the system is depressurized before removing the tube, Push in the collet squarely against the face of the fitting. With the collet held in this position, the tube can be removed. The fitting can be re-used.



Should a leak occur at a fitting, the cause is generally defective tubing. To fix a leak, relieve pressure, release tubing, cut off at least 1/4" from the end (square cut), reattach the tubing, and confirm the connection is leak free. Each time a new connection is made, it is advisable to cut off 1/4" from the end of the tubing using these fittings.

Installation Location

The RO system may be installed under a sink, in a basement, or other location depending on available space. Do not install unit where temperatures fall below freezing. Otherwise, damage will occur.

- **Faucet** - Should be placed near the sink where drinking / cooking water is normally required. A 2" flat surface is required to mount the faucet if an existing hole for a second faucet is not available. The thickness of the mounting surface should not exceed 1-1/4"
- **Storage Tank** - May be placed where it is convenient within ten (10) feet of the RO module. Under the sink or in a nearby cabinet are excellent choices. Full tanks may weigh more than thirty pounds so a sturdy shelf is required.
- **RO Module** - May be mounted on either side of the sink, in a cabinet, or a heated basement with nearby access to a potable, cold water line and a sanitary drain.
- **Feed Water Connection** - Accomplished with an angle stop feed water valve. This valve will be installed in the cold water line between the sink cold water shutoff valve and the sink faucet tubing. Connect to a potable, cold water supply line only

NOTE: Softened water is preferred since it will extend the life of your RO membrane.

- **Drain Connection** - Accomplished using a waste water saddle valve which is designed to fit around a standard 1-1/2" OD drain pipe. The drain saddle valve should always be installed above (before) the trap and on the vertical or horizontal tailpiece. Do not install the drain saddle valve near a garbage disposal; otherwise, plugging of the waste water line may occur. If discharging into a utility sink or standpipe, an air gap may be needed. (Air gaps must be 1" or greater above the floor or pipe rim).

NOTE: Plumbing codes may require the use of air gaps. Check with your local municipality.

Do not connect the RO system drain line to the dishwasher drain line. Back pressure in the line may cause the air gap to over flow.

Installation

Faucet Installation

1. If the sink has a sprayer, it may be disconnected for faucet installation. A pipe cap or plug will be necessary to seal the sprayer connection. To make the faucet mounting hole (if sprayer or second hole is not used), check below the surface to ensure the drill does not interfere with anything. Drill a $7/16$ " hole for non air gap faucets. If an air gap faucet is being used, drill a hole that is $7/8$ " minimum $1\ 1/8$ " maximum. Be sure to use a drill bit compatible with your surface. Clean up any sharp edges or burrs once the hole is drilled. The faucet should be positioned so it empties into the sink and the spout swivels freely for convenience. If the sink has a hole that can accommodate the RO faucet, no drilling is required. Proceed with mounting the faucet.

Figure 1. Faucet Installation Without Air Gap



2. Install the faucet as shown in Fig 1. Assistance may be needed to hold the faucet in place while the nut is tightened.



3. Once the faucet is secure, install the 7/16" UNS x 3/8" QC faucet connector on the threaded nipple. This fitting does not require sealant as it seals at the beveled surface. Tighten the fitting hand tight then use an adjustable wrench to tighten an additional 1/2 turn.



4. Now push the blue tube into the faucet connector. Leave the other end of the blue tube unconnected for now. It will be connected later in the installation.



If an air gap faucet is being used, follow this next set of steps.

1. Connect one end of the 1/4" black tubing to the smaller brass barb on the bottom of the faucet. Be sure the tube is completely pushed on the barb or a leak could occur. Leave the other end of the black tube unconnected for now. It will be connected later in the installation.



2. Now push a piece of 3/8" black tubing onto the larger brass barb on the bottom of the faucet. Be sure the tube is completely pushed on the barb or a leak could occur. Leave the other end of the black tube unconnected for now. It will be connected later in the installation.



Feed Water Angle Stop Valve and Tubing Installation

1. To install the angle stop valve, turn off the cold water supply valve for the sink faucet. Open the sink faucet cold water and relieve the pressure.
2. Remove the sink faucet "whip hose" or tubing from the shutoff valve. There will be residual water spilled when this tube is removed. Be sure to have a towel to dry the water that is spilled. Now install the angle stop valve on the sink faucet shutoff valve and tighten it. Use two wrenches to hold the valve while tightening. Don't worry about the angle stop valve position because it will swivel and can be positioned later.



3. Install the whip hose or tubing on the angle stop valve and tighten.



4. Be sure the blue handle on the angle stop valve is in the closed position (as pictured). Now open the sink shutoff valve and check the angle stop connections for leaks. If there are leaks, repair them now. If there are no leaks, connect the orange tubing to the angle stop valve. Leave the other end of this tubing unconnected for now. It will be connected later in the installation.



Drain Saddle Installation

Prior to Drain saddle installation, it is important to inspect the condition of drain pipes to make sure they are not thin and frail. Drain saddle valves are designed to be installed on standard 1-1/2" OD drain pipe. Install the drain saddle valve above the trap (between the sink and trap) and on the vertical or horizontal tailpiece. Never install a drain saddle valve close to the outlet of a garbage disposal or plugging of the RO drain line may result.

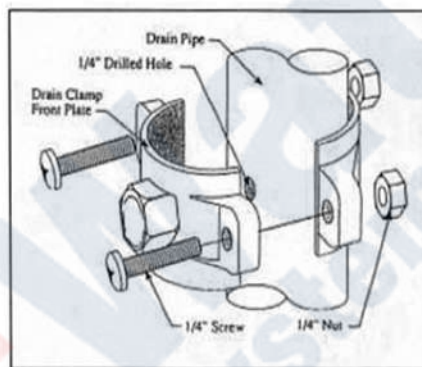
1. Position the port side of the drain saddle valve at the selected location and mark for the opening. Never position the opening at the bottom of the pipe. A side or top position is recommended. Install the rubber gasket on this half of the drain saddle. Be sure the gasket hole is lined up with the port hole.
2. Drill a 1/4" hole (3/8" hole if using an air gap faucet) at the spot previously marked. Take care not to drill through both sides of the pipe.



3. Position both halves of the drain saddle on the drain pipe so the quick connect opening lines up with the the previously drilled hole. A screwdriver may be used to keep the holes oriented during the tightening process.

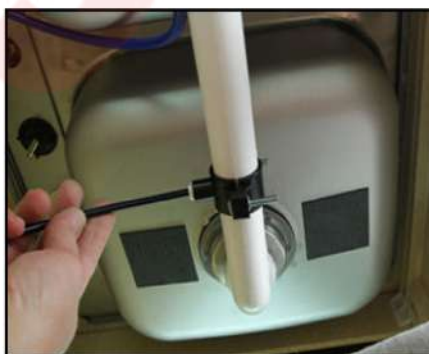


4. Secure the drain saddle clamp on the drain pipe with the provided nuts and bolts. (Do not over tighten. Make sure there is equal space between saddle halves on each side.)



Drain saddle valve installation

5. Install the black drain line to the port on the drain saddle. Leave the other end of this line loose as it will be connected later. If using an air gap faucet, connect the 3/8" black line from the larger brass barb to the drain saddle.



Tank Installation

1. Apply Teflon tape to the tank outlet threads. 3 - 4 wraps will be sufficient.
2. Install the tank valve by turning it clockwise. Tightening it hand tight is usually adequate but additional tightening may be required.

3. Once the valve is installed, connect the green 3/8" tubing to the tank valve. Leave the other end of the tubing loose. It will be connected later in the installation. **NOTE: Tanks are pre-pressurized at 7 psi. Prior to installation, check and add or re-lease as required. Tanks should always maintain 7 psi**

Initial Tubing Connections

It may be desirable to leave the excess tubing when making the final connects. This will allow space to pull the unit out of the cabinet for filter changes without disconnecting all the tubing. If you want to secure the system and cut the tubing to fit, that is fine, but this may require that the system be removed for filter changes or the filters will have to be changed with the system in the cabinet, which can be difficult.

RO Filters Installation

1. Remove the first sump and install the sediment filter. When facing the unit, this would be the far right sump.



2. Tighten the far right sump hand tight and secure it with the supplied filter wrench by turning it an additional 1/4 - 1/2 turn.



3. Remove the center sump and install the carbon filter in the sump. Be sure that the rubber gasket is in place on BOTH sides of the carbon filter.



4. Tighten the center sump hand tight and secure it with the supplied filter wrench by turning it an additional 1/4 - 1/2 turn.



5. Repeat steps 3 and 4 for the far left sump and the final carbon block.



Membrane Installation

1. Remove the 1/4" tubing from the membrane housing cap by pressing the collet on the elbow fitting toward the fitting. When the collet is flush with the fitting, the tubing will pull out of the fitting with little effort. Use the aforementioned procedure for removing quick connect fittings.



2. Grip the membrane housing with two hands and remove the membrane housing cap by turning it counterclockwise.



3. Remove the membrane from the protective packaging and install it in the membrane housing. There are two O-rings on one end of the membrane. Lightly lubricate these O-rings with the supplied silicone grease.



4. Be sure the membrane is fully seated in the housing. If the membrane is fully seated, it will be about 1/8" - 1/4" inset from being flush with the housing.



5. Lubricate the O-ring on the membrane housing and install the cap hand tight. Tighten the cap an additional 1/8 - 1/4 turn.



6. Push the 1/4" tubing back into the elbow fitting. Be sure it is fully seated in the fitting or a leak could occur. It should not be able to be pulled out with a light tug.



RO Unit Installation

The RO Unit is normally mounted to the sink cabinet sidewall, depending on where the supply tank is to be located. Generally, the unit is installed at the front of the cabinet and the tank at the rear.

To mount the unit, elevate it at least 2" off the floor, level it, and mark the location of the mounting holes needed. Drill holes for mounting screws then proceed to install the mounting screws. Allow the mounting bracket slots to slip over them.

NOTE: If the cabinet sidewalls are not solid, the unit may sit on the floor with screws installed to keep it against the cabinet in a vertical position. The system does not have to be secured to the wall but it is a good practice. If the system is not mounted to the cabinet wall and the tubing is not cut short, the module can be removed from the cabinet during filter changes.

Final Tubing Connections

With all components in place, complete final tubing connections using these guidelines

- Tubing should follow the contour of the cabinets.
- Cut tubing to desired length using square cuts or a proper cutting device.
- Ensure there are no sharp bends

Proceed with final tubing connections using the provided flow diagrams and the following procedures.

1. Connect the blue tubing from the faucet to the RO units post carbon filter outlet elbow fitting.



2. Be sure the storage tank shutoff valve is in the closed position. Use the supplied syringe and add 5ml of the supplied sanitizing solution to the green tank tubing attached to the storage tank. Connect the open end of the green tubing from the tank to the RO units post carbon filter inlet tee fitting. Leave the tank valve closed.



3. Connect the orange tubing from the angle stop supply valve to the RO unit at the sediment filter inlet fitting. When facing the unit, this is the far right sump.



4. Connect the tubing from the drain saddle to the RO unit at the flow restrictor on the membrane. If an air gap faucet is being used, connect the black 1/4" line from the faucet to the flow restrictor.



System Start Up

Prior to Start Up

1. Check all connections and ensure they are secure.
2. Turn on the feed water valve and check for leaks. (Turn off and correct leaks if any occur)
3. Close the valve on the storage tank (The tank should be closed from the Final Tubing Connections) and open the faucet until a steady stream of water flows. Water will be flowing to the drain as well.
4. Once there is a steady stream of water coming from the faucet (about 1/8" in diameter), close the faucet and wait five minutes to see if any leaks result on the system. The initial water from the system may be discolored. This is normal.

NOTE: It is very important that there is a steady stream (not drips) of water coming from the faucet before it is closed. If not, there could be air trapped in the system and it will not fill the tank properly. This can waste a larger volume of water.

5. If there are no leaks, open the storage tank valve and allow the system to fill. Most systems will be full within 2 hours. The system is full when the water to the drain stops. Check for leaks with the system full and repair them accordingly.

NOTE: When the system is first turned on, water may intermittently "spurt" from the air gap opening on the side of air gap faucets. This is common and should correct itself after the air is purged from the system.

Flushing System and Checking Operation

To make sure the RO system is operating correctly, follow these simple procedures:

1. Open the faucet handle and allow the tank to completely drain. (Water will be discolored)
2. Close faucet and re-fill the system.
3. Allow system to process water for approximately 2-3 hours. The tank will be practically full at this point.
4. Open the faucet again and allow the tank to empty for a second time. Do not use this water.
5. Wait another 2-3 hours to allow tank to re-fill.

Air Purging

If the tank does not fill, the tank tubing may have air in it. Typically the standard startup procedure will be sufficient but in some cases, due to the water temperature and pressure, additional air bleeding must be performed. The following procedure will help bleed air from the system.

1. Close the tank valve and the feed water valve and open the faucet to relieve the pressure on the system.
2. Remove the tank tubing from the tank valve and hold it over a bucket or pan.
3. Open the feed water valve and the faucet.
4. Allow the system to run until there is a stream of water coming from the tank tubing.
5. Once there is a steady stream coming from the tank tubing, push it back into the tank valve. Be sure to push it in the tank valve completely or a leak could occur.
6. Turn the tank valve on and allow water to run until there is a steady stream coming from the faucet. Then shut the faucet and allow the tank to fill.

NOTE: If no objectionable tastes are noticed after a second tank draining, RO processed water is ready for use. Otherwise, drain the tank and re-fill for a third time.

Maintenance

The RO system contains filters and membranes which must be replaced periodically for proper operation.

Replacement Part	Frequency
551-USWS-2510-05 (Sediment Pre-Filter)	Every 6-12 Months
507-USWCB-2510-10	Every 6-12 Months
255-USWM-1812-XXX** (RO Membrane)	Every 3-5 Years
530-INLRO-14 (Carbon Post Filter)	Every 6-12 Months

**XXX denotes Membrane GPD Capacity. IE 255-USWM-1812-050 is a 50 GPD Membrane

NOTE: Filter change frequencies may be amended, depending on source water conditions.

Sanitizing Filter Change Instructions

1. Turn off the feed water to the system and shut off the ice maker power and water supply valve (if applicable).
2. Turn on the faucet to relieve any pressure on the system and make sure water has stopped flowing out of the faucet.
3. Remove the membrane and all the lower vertical sump filters. The post carbon filter can be left in place at this time. Use rubber gloves and store the membrane in water or a Ziploc bag to prevent damage or discard the membrane if it is being replaced.
4. Using a plastic syringe, collect 5 ml of a sanitizing solution (Recommend Sani-System) and set aside. Pour the remainder of the packet of Sani-System directly into the sediment filter housing (where the orange inlet feed line attaches). Reattach all filter housings and membrane caps. Do not install the filters at this time. Remove the tube that connects to the storage tank from the RO module and invert it to remove the water from the tube. Inject all of the Sani-System solution from the plastic syringe into the line. Reattach the tank tube. Make sure the RO water faucet is closed and turn on the water supply.
5. Allow the system to fill with water. The time will vary depending on the water pressure. However, the system should be full within 5 - 10 minutes without the filters or membrane. Allow the system to rest for 10 minutes. Open the faucet and allow it to drain for 10 minutes after which, close the faucet. Allow the system to fill and rest for another 10 minutes. Open the faucet again and allow the system to flush for another 10 minutes. Shut off the inlet supply and open the faucet to depressurize the system. Remove the sumps and install the filters and membrane.
6. The white fiber-type filter is installed in the Inlet (sediment) filter sump. Lubricate the O-ring at the top of the sump with a small amount of silicone. Install the filter sump, tighten the filter sump hand tight then, using a filter wrench, tighten an additional 1/4 turn. Do not over tighten.
7. The carbon block filters are installed into the next two sumps. Lubricate the O-ring at the top of each sump with a small amount of silicone. Be sure the rubber gaskets are in place on both sides of each carbon block filter and install them into the sumps. Tighten the filter sumps hand tight then, using the filter wrench, turn an additional 1/4 turn. Do not over tighten.
8. The inline filter is installed on the top of the membrane housing. The fittings in each end of the old post filter must be removed and wrapped with 3-4 layers of 1/2" Teflon tape after having removed the old layer of Teflon tape. When looking at the threaded side of the fitting, wrap clockwise to ensure a proper seal. The tee fitting will screw into the inlet side of the new filter while the elbow fitting will screw into the outlet side. Re-install the tubing and make sure everything is sealed.
9. Turn on the feed water valve and check for leaks. Turn off the valve and correct leaks if any occur.

10. Close the valve on the storage tank and open the faucet until a steady stream of water flows. Water will be flowing to the drain as well. The initial water from the system may be discolored. This is normal.
11. Once there is a steady stream of water coming from the faucet (about 1/8" in diameter), close the faucet and wait five minutes to see if any leaks occur through the system.

NOTE: It is very important that there is a steady stream (not drips) of water coming from the faucet before it is closed. If not, there could be air trapped in the system and it will not fill the tank properly. This can waste a larger volume of water.

12. If there are no leaks, open the storage tank valve and allow the system to fill. Most systems will be full within 2 hours. The system is full when the water to the drain stops. Check for leaks with the system full and repair them accordingly.

NOTE: When the system is first turned on, water may intermittently "spurt" from the air gap opening on the side of air gap faucets. This is common and should correct itself after the air is purged from the system.

Flushing System and Checking Operation

To make sure the RO system is operating correctly, follow these simple procedures:

1. Open the faucet handle and allow the tank to completely drain. (Water will be discolored)
2. Close faucet and re-fill the system.
3. Allow system to process water for approximately 2-3 hours. The tank will be practically full at this point.
4. Open the faucet again and allow the tank to empty for a second time. Do not use this water.
5. Wait another 2-3 hours to allow tank to re-fill.

Air Purging

If the tank does not fill, the tank tubing may have air in it. Typically the standard startup procedure will be sufficient but in some cases, due to the water temperature and pressure, additional air bleeding must be performed. The following procedure will help bleed air from the system.

1. Close the tank valve and the feed water valve and open the faucet to relieve the pressure on the system.
2. Remove the tank tubing from the tank valve and hold it over a bucket or pan.
3. Open the feed water valve and the faucet.
4. Allow the system to run until there is a stream of water coming from the tank tubing.
5. Once there is a steady stream coming from the tank tubing, push it back into the tank valve. Be sure to push it in the tank valve completely or a leak could occur.

6. Turn the tank valve on and allow water to run until there is a steady stream coming from the faucet. Then shut the faucet and allow the tank to fill.

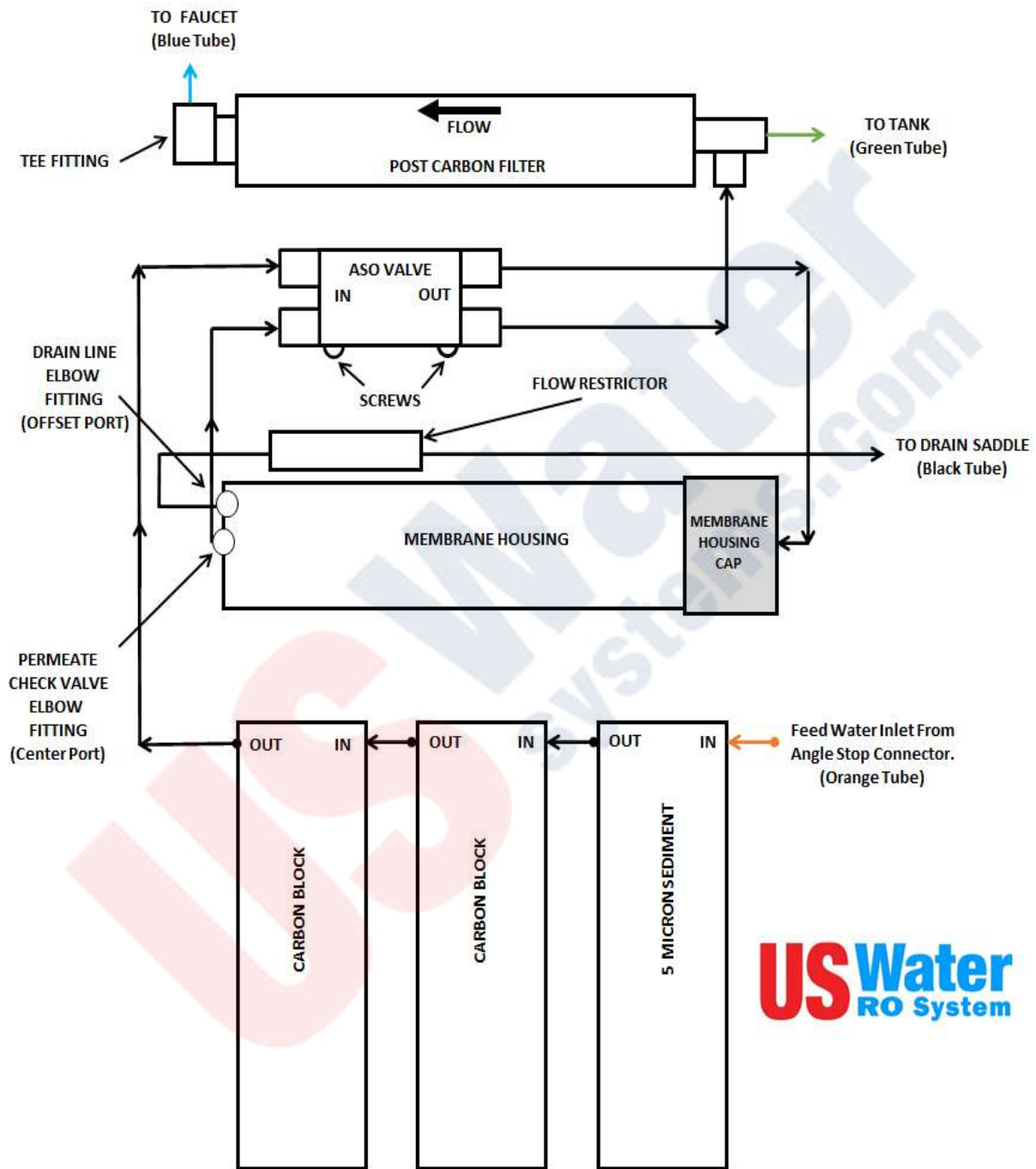
NOTE: If no objectionable tastes are noticed after a second tank draining, RO processed water is ready for use. Otherwise, drain the tank and re-fill for a third time.

Why the Regular Use of Sani-System is Important

A reverse osmosis system should be sanitized regularly to maintain quality service levels. If the system is not properly maintained, bacteria can begin to grow and multiply wherever the water sits, including on the inside surfaces of tanks and hoses. Filling the system with impure water can also be a cause but, over time, bacteria grows - even in chlorinated water. When water sits in a tank or hose, chlorine levels drop, reducing its chemical ability to prevent bacterial growth. Filters can also filter out chlorine, making the water more susceptible to bacterial growth. In addition, system equipment such as hoses, filters, and canisters can harbor and help to support bacterial growth.

Sani-System is the only EPA & NSF approved sanitizer for use in reverse osmosis units. It is proven to kill 99.9% of harmful bacteria without the use of chlorine, oxidizers, or acids that can harm system parts. Sani-System maintains the performance of your reverse osmosis system and restores it to peak efficiency.

Standard Flow Diagram



Standard 5 Stage RO System Flow Schematic	No Scale	Drawn by: C. Dietz	February 27, 2012
---	----------	--------------------	-------------------

Warranty

Galaxy 5 STAGE

THREE YEAR COVERAGE - For three (3) years to the original purchaser, at the original residential place of installation of this Galaxy 5 Stage Series Reverse Osmosis Drinking Water Purification System, **US WATER SYSTEMS, INC.** warrants the following: **Storage Tank | RO Module** - Free of all costs to you except transportation and labor charges, we warrant that we will replace or repair the storage tank, filter housings, and membrane housing, if for any reason it is found to be defective, because of faulty materials or workmanship.

ONE YEAR COVERAGE - All Other Parts

- We warrant that for one (1) year from the date of installation, we will replace any part not listed above at no charge to you except for transportation and standard labor charges, **except** the following items: **Pre filters | Post filters | Reverse Osmosis Membrane**

GENERAL PROVISIONS

This warranty does not apply to any commercial or industrial installations or to any part of the reverse osmosis system which has been subjected to misuse, neglect, alteration or accident; or to any damage caused by fire, flood, freezing, Acts of God, or any other casualty, or if said system is damaged by anyone, or if the original serial numbers have been removed. Fouling or damage to the membrane or filters caused by iron, sulfur, bacterial iron, silt, sand, tan-

nins, organics, bacteria, hot water or chlorine voids the warranty on the membrane.. These warranties are in lieu of all other warranties expressed or implied, and we do not authorize any person to assume for us any other obligation on the sale of this water conditioner. No responsibility is assumed for delays or failure to meet these warranties caused by strike, government regulations or other circumstances beyond the control of US WATER SYSTEMS, INC. To obtain warranty service, call or write: US WATER SYSTEMS, INC. 1209 COUNTRY CLUB ROAD Indianapolis, IN 46234 (317) 209-0889 or 800-608-8792.

ANY IMPLIED WARRANTIES OF FITNESS OR MERCHANTABILITY ARE LIMITED TO THE TERMS OF THIS EXPRESSED WARRANTY AND THERE ARE NO WARRANTIES WHICH EXTEND BEYOND THOSE HEREIN. US WATER SYSTEMS, INC. SHALL NOT BE LIABLE WHATSOEVER FOR ANY INCIDENTAL AND/OR CONSEQUENTIAL DAMAGES. Some states do not allow the exclusion or limitations of incidental or consequential damages so the above limitation may not apply to you. This warranty gives you specific legal rights, and you may also have other rights which vary from state to state. THIS WARRANTY MAY BE TRANSFERRED TO A SUBSEQUENT OWNER WITH WRITTEN APPROVAL OF US WATER SYSTEMS, INC. AND PAYMENT OF STANDARD TRANSFER FEE.