

45 Pump Series description

Single Head Fixed Output



Single Head Adjustable Output



Output Range
 0.2–50 gpd at 25 psi
 0.2–22 gpd at 100 psi

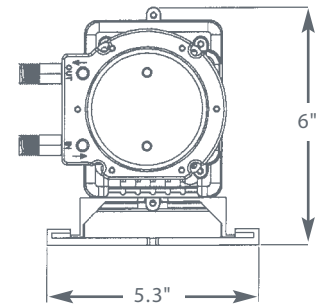
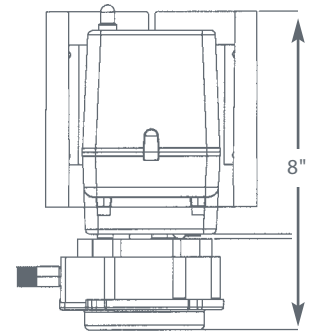
- 26 rpm gear motor
- Mechanical dial ring allows outputs adjustable in 2.5% increments
- 6 interchangeable tubes






FEATURES	BENEFITS
Peristaltic design	Self-priming, won't lose prime Can run dry without damage Chemicals are metered without exposure to air Pumps gaseous solutions
Pump tubes	Accept a variety of chemicals
Pump head	Universal with all Stenner pumps
Snap fit modular subassemblies	Quick serviceability without tools
Interchangeable pump tubes and subassemblies	Convert one Classic model to another
Mechanical feed rate control	Reproducibility within 2% of outputs
Manufactured since 1957	Time tested

45 Pump Series dimensions

Output Range
 0.2–50 gpd at 25 psi
 0.2–22 gpd at 100 psi

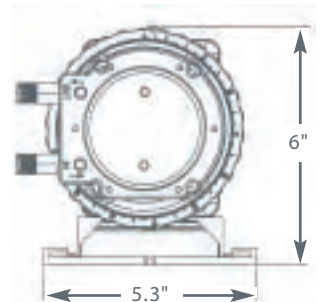
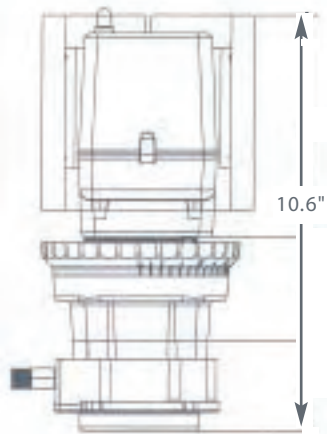
Single Head Fixed Output









THIS PRODUCT HAS BEEN TESTED AND CERTIFIED BY THE WATER QUALITY ASSOCIATION ACCORDING TO NSF/ANSI 61 FOR MATERIALS SAFETY ONLY.

Single Head Adjustable Output



SANITATION LISTED CONFORMS TO STD. NSF-50 CIRCULATION SYSTEM COMPONENTS FOR SWIMMING POOLS, SPAS, OR HOT TUBS

THIS PRODUCT HAS BEEN TESTED AND CERTIFIED BY THE WATER QUALITY ASSOCIATION ACCORDING TO NSF/ANSI 61 FOR MATERIALS SAFETY ONLY.

NOTE: Not all products have agency approval. Please call factory for more information.

45 Pump Series materials of construction

- All Housings* Lexan® Polycarbonate Plastic
- Peristaltic Tube** Santoprene® FDA Approved
Check Valve Duckbill
- Peristaltic Tube† Tygothane® FDA Approved
- Check Valve Duckbill†† Pellathane®
- Suction/Discharge Tubing LDPE Polyethylene-NSF/FDA Approved
Ferrules (1/4" & 6 mm)
- Tube Fittings Type 1 Rigid PVC-NSF Listed
Connecting Nuts
Check Valve Fittings
Weighted Suction Line Strainer
- All Fasteners Stainless Steel

*Lexan® is a registered trademark of General Electric. Consult General Electric for chemical resistance of Lexan®.

**Santoprene® is a registered trademark of Advanced Elastomer System. Refer to the chemical resistance guide in this catalog for pump tube material compatibility.

†Tygothane® is a registered trademark of Saint-Gobain Performance Plastics. Refer to the chemical resistance guide in this catalog for pump tube material compatibility.

††Pellathane® is a registered trademark of The Dow Company.

Accessory Kit Contents

- 3 Connecting Nuts 1/4" or 3/8"
- 3 Ferrules 1/4" & 6 mm Europe OR 2 Ferrules 3/8"
- 1 Injection Check Valve 100 psi OR 1 Injection Fitting 25 psi
- 1 Weighted Suction Line Strainer 1/4" or 3/8" , 6 mm Europe
- 1 20' Roll of Suction/Discharge Tubing 1/4" or 3/8" White or UV Black
OR 6 mm White Europe
- 1 Spare Pump Tube
- 1 Mounting Bracket
- 1 Installation and Maintenance Manual

45 Pump Series outputs



Single Head Fixed Output

Model	Max. Pressure	Pump Tube Number	Approximate Output @ 60Hz						Approximate Output @ 50Hz		
			Gallons Per day	Liters Per day	Gallons Per hour	Liters Per hour	Ounces Per Minute	MilliLiters Per Minute	Liters Per day	Liters Per Hour	Milliliters Per Minute
45MPHP2*	100 psi (6.9 bar)	# 1	3	11.4	0.13	0.48	0.27	7.92	9.1	0.38	6.32
45MPHP10*	100 psi (6.9 bar)	# 2	10	37.9	0.42	1.58	0.89	26.32	30.3	1.26	21.04
45MPHP22*	100 psi (6.9 bar)	# 7	22	83.3	0.92	3.47	1.96	57.85	66.6	2.78	46.25
45MP1	25 psi (1.7 bar)	# 1	3	11.4	0.13	0.48	0.27	7.92	9.1	0.38	6.32
45MP2	25 psi (1.7 bar)	# 2	10	37.9	0.42	1.58	0.89	26.32	30.3	1.26	21.04
45MP3	25 psi (1.7 bar)	# 3	22	83.3	0.92	3.47	1.96	57.85	66.6	2.78	46.25
45MP4	25 psi (1.7 bar)	# 4	35	132.5	1.46	5.52	3.11	92.01	106	4.42	73.61
45MP5	25 psi (1.7 bar)	# 5	50	189.3	2.08	7.89	4.44	131.43	151.4	6.31	105.14

* Pump supplied with injection check valve for 26-100 psi (1.7-6.9 bar) applications



Single Head Adjustable Output

Model	Max. Pressure	Pump Tube No.	Approximate Output @ 60Hz						Approximate Output @ 50Hz		
			Gallons Per day	Liters Per day	Gallons Per hour	Liters Per hour	Ounces Per Minute	MilliLiters Per Minute	Liters Per day	Liters Per Hour	Milliliters Per Minute
45MHP2*	100 psi (6.9 bar)	# 1	0.2 to 3	0.8 to 11.4	0.01 to 0.13	0.03 to 0.48	0.02 to 0.27	0.56 to 7.92	0.6 to 9.1	0.03 to 0.38	0.31 to 6.32
45MHP10*	100 psi (6.9 bar)	# 2	0.5 to 10	1.9 to 37.9	0.02 to 0.42	0.08 to 1.58	0.04 to 0.89	1.32 to 26.32	1.5 to 30.3	0.06 to 1.26	1.04 to 21.04
45MHP22*	100 psi (6.9 bar)	# 7	1.1 to 22	4.2 to 83.3	0.05 to 0.92	0.18 to 3.47	0.10 to 1.96	2.92 to 57.85	3.3 to 66.6	0.14 to 2.78	2.29 to 46.25
45M1	25 psi (1.7 bar)	# 1	0.2 to 3	0.8 to 11.4	0.01 to 0.13	0.03 to 0.48	0.02 to 0.27	0.56 to 7.92	0.6 to 9.1	0.03 to 0.38	0.31 to 6.32
45M2	25 psi (1.7 bar)	# 2	0.5 to 10	1.9 to 37.9	0.02 to 0.42	0.08 to 1.58	0.04 to 0.89	1.32 to 26.32	1.5 to 30.3	0.06 to 1.26	1.04 to 21.04
45M3	25 psi (1.7 bar)	# 3	1.1 to 22	4.2 to 83.3	0.05 to 0.92	0.18 to 3.47	0.10 to 1.96	2.92 to 57.85	3.3 to 66.6	0.14 to 2.78	2.29 to 46.25
45M4	25 psi (1.7 bar)	# 4	1.7 to 35	6.4 to 132.5	0.07 to 1.46	0.27 to 5.52	0.15 to 3.11	4.44 to 92.01	5.1 to 106	0.21 to 4.42	3.54 to 73.61
45M5	25 psi (1.7 bar)	# 5	2.5 to 50	9.5 to 189.3	0.1 to 2.08	0.4 to 7.89	0.22 to 4.44	6.6 to 131.43	7.6 to 151.4	0.32 to 6.31	5.28 to 105.14

* Pump supplied with injection check valve for 26-100 psi (1.7-6.9 bar) applications

NOTICE: The information within this chart is solely intended for use as a guide. The output data is an approximation based on pumping water under a controlled testing environment. Many variables can affect the output of the pump. Stenner Pump Company recommends that all metering pumps undergo field calibration by means of analytical testing to confirm their outputs.

45 Pump Series specifications

Output Control for Adjustable Pumps Only . . .	Manual with external dial ring from 5-100%
Turndown Ratio	20:1
Suction/Discharge Polyethylene Tubing	1/4" , 3/8" , 6 mm Europe
Motor rpm	26
Motor HP	1/30
Voltage	120V, 220V 60Hz 230V, 250V 50Hz International
Amp Draw @ Maximum Load	1.7 @ 120V 0.9 @ 220V, 230V, 250V
Maximum Operating Temperature	125° F (52° C)
Maximum Viscosity	10,000 cPs*
Suction Lift	25 ft (7.6 m)
Dimensions (l x w x h)	Fixed output 8.0 x 5.3 x 6.0 in; 20.3 x 13.4 x 15.2 cm Adjustable output 10.6 x 5.3 x 6.0 in; 26.9 x 13.4 x 15.2 cm
Shipping Weight	Fixed output 8 lbs (3.6 kg) Adjustable output 9 lbs (4 kg)

*10,000 centipoise – 5 ft suction lift, high viscosity fluids decrease suction lift capability and pump displacement.

45 Pump Series output chart

45MP Fixed Output Single Head: 0 to 25 psi (1.72 bar) Maximum Discharge Pressure

Model	Tube	gpd	lpd
45MP1	# 1	3	9.1
45MP2	# 2	10	30.3
45MP3	# 3	22	66.6
45MP4	# 4	35	106
45MP5	# 5	50	151.4

Outputs per day in U.S. Gallons @ 60Hz & Liters @ 50Hz

45MPHP Fixed Output Single Head: 26 to 100 psi (6.9 bar) Maximum Discharge Pressure

Model	Tube	gpd	lpd
45MPHP2	# 1	3	9.1
45MPHP10	# 2	10	30.3
45MPHP22	# 7	22	66.6

Outputs per day in U.S. Gallons @ 60Hz & Liters @ 50Hz

45M Adjustable Output Single Head: 0 to 25 psi (1.72 bar) Maximum Discharge Pressure

Feed Rate Control Setting

		L		1		2		3		4		5		6		7		8		9		10	
Model	Tube	gpd	lpd	gpd	lpd	gpd	lpd	gpd	lpd	gpd	lpd	gpd	lpd	gpd	lpd	gpd	lpd	gpd	lpd	gpd	lpd	gpd	lpd
45M1	# 1	0.2	0.6	0.3	0.9	0.6	1.8	0.9	2.7	1.2	3.6	1.5	4.5	1.8	5.5	2.1	6.4	2.4	7.3	2.7	8.2	3	9.1
45M2	# 2	0.5	1.5	1	3	2	6.1	3	9.1	4	12.1	5	15.1	6	18.2	7	21.2	8	24.2	9	27.3	10	30.3
45M3	# 3	1.1	3.3	2.2	6.6	4.4	13.3	6.6	20	8.8	26.6	11	33.3	13.2	40	15.4	46.6	17.6	53.3	19.8	60	22	66.6
45M4	# 4	1.7	5.1	3.5	10.6	7	21.2	10.5	31.8	14	42.4	17.5	53	21	63.6	24.5	74.2	28	84.8	31.5	95.4	35	106
45M5	# 5	2.5	7.6	5	15.1	10	30.3	15	45.4	20	60.6	25	75.7	30	90.8	35	106	40	121.1	45	136.3	50	151.4

Outputs per day in U.S. Gallons @ 60Hz & Liters @ 50Hz

45MHP Adjustable Output Single Head: 26 to 100 psi (6.9 bar) Maximum Discharge Pressure

Feed Rate Control Setting

		L		1		2		3		4		5		6		7		8		9		10	
Model	Tube	gpd	lpd	gpd	lpd	gpd	lpd	gpd	lpd	gpd	lpd	gpd	lpd	gpd	lpd	gpd	lpd	gpd	lpd	gpd	lpd	gpd	lpd
45MHP2 # 1		0.2	0.6	0.3	0.9	0.6	1.8	0.9	2.7	1.2	3.6	1.5	4.5	1.8	5.5	2.1	6.4	2.4	7.3	2.7	8.2	3	9.1
45MHP10# 2		0.5	1.5	1	3	2	6.1	3	9.1	4	12.1	5	15.1	6	18.2	7	21.2	8	24.2	9	7.3	10	30.3
45MHP22# 7		1.1	3.3	2.2	6.6	4.4	13.3	6.6	20	8.8	26.6	11	33.3	13.2	40	15.4	46.6	17.6	53.3	19.8	60	22	66.6

Outputs per day in U.S. Gallons @ 60Hz & Liters @ 50Hz

45 Pump Series build item number

Item number is required for placing orders. To build item number, select code based on application requirements.

4	5	M							Factory Use Only
Single Head			Control	Pressure Rating	Pump Tube	Voltage & Hertz	Suction Discharge Tubing	Pump Tube Material	

CODE

Control	F	Fixed
	J	Adjustable
<hr/>		
Pressure Rating	L	0-25 psi (0-1.7 bar)
	H	26-100 psi (1.7-6.9 bar)
<hr/>		
Pump Tube	Outputs @ 60Hz, for 50Hz refer to output page in this catalog.	
	25 psi (1.7 bar)	
	gpd	lpd
		Fixed Adjustable
1	3	11 45MP1 45M1
2	10	38 45MP2 45M2
3	22	83 45MP3 45M3
4	35	133 45MP4 45M4
5	50	189 45MP5 45M5
	100 psi (6.9 bar)	
	gpd	lpd
		Fixed Adjustable
1	3	11 45MPHP2 45MHP2
2	10	38 45MPHP10 45MHP10
7	22	83 45MPHP22 45MHP22
<hr/>		
Voltage & Hertz	A	120V 60Hz
	B	220V 60Hz
	C	230V 50Hz, CEE7 cord International
	D	250V 50Hz, CEE7 cord International
	Contact the factory for additional voltage and cord options.	
<hr/>		
Suction Discharge Tubing	O.D.; does not affect output	
1	1/4" White	
2	1/4" UV Black	
3	3/8" White	
4	3/8" UV Black	
5	6 mm White Europe	
<hr/>		
Pump Tube Material	Application specific, refer to chemical resistance guide for chemical compatibility.	
	S	Santoprene®
	T	Tygothane® (available in #2 and #5 size only, see Pump Tube)

Notes