

170 Pump Series description

Double Head Fixed Output

Double Head Adjustable Output



Output Range
 0.5–170 gpd at 25 psi
 0.5–34 gpd at 100 psi

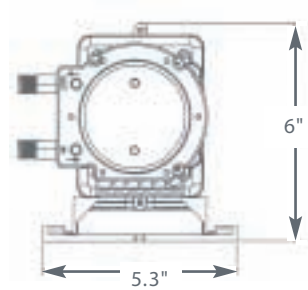
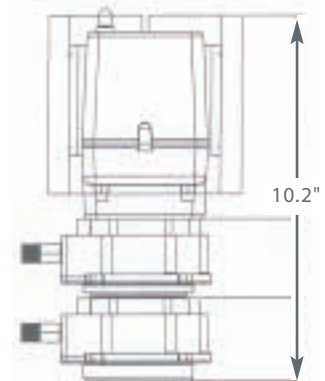
- 44 rpm gear motor
- Mechanical dial ring allows outputs adjustable in 2.5% increments
- 5 interchangeable tubes

FEATURES	BENEFITS
Peristaltic design	Self-priming, won't lose prime Can run dry without damage Chemicals are metered without exposure to air Pumps gaseous solutions
Pump tubes	Accept a variety of chemicals
Pump head	Universal with all Stenner pumps
Snap fit modular subassemblies	Quick serviceability without tools
Interchangeable pump tubes and subassemblies	Convert one Classic model to another
Mechanical feed rate control	Reproducibility within 2% of outputs
Manufactured since 1957	Time tested

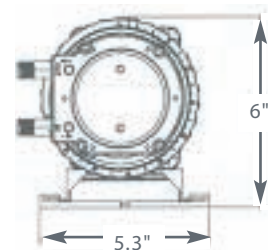
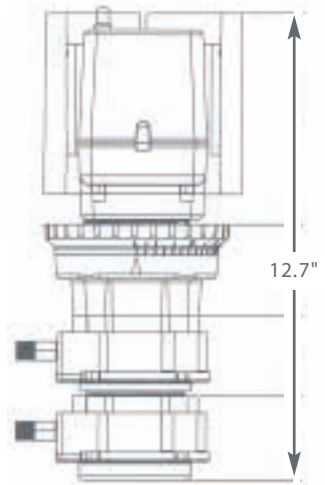
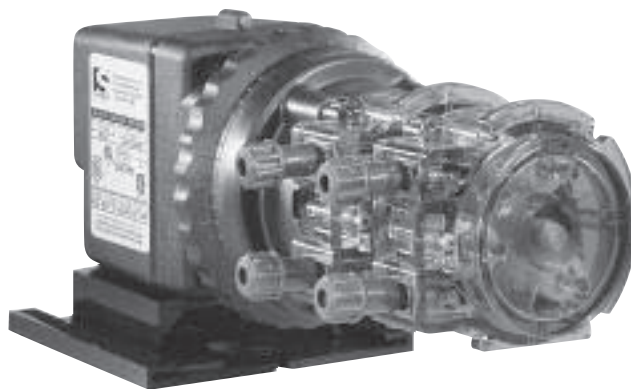
170 Pump Series dimensions

Output Range
 0.5–170 gpd at 25 psi
 0.5–34 gpd at 100 psi

Double Head Fixed Output



Double Head Adjustable Output



NOTE: Not all products have agency approval. Please call factory for more information.

170 Pump Series materials of construction

All Housings* Lexan® Polycarbonate Plastic

Peristaltic Tube** Santoprene® FDA Approved
Check Valve Duckbill

Peristaltic Tube† Tygothane® FDA Approved

Check Valve Duckbill†† Pellathane®

Suction/Discharge Tubing LDPE Polyethylene-NSF/FDA Approved
Ferrules (1/4" & 6 mm)

Tube Fittings Type 1 Rigid PVC-NSF Listed
Connecting Nuts
Check Valve Fittings
Weighted Suction Line Strainer

All Fasteners Stainless Steel

*Lexan® is a registered trademark of General Electric. Consult General Electric for chemical resistance of Lexan®.

**Santoprene® is a registered trademark of Advanced Elastomer System. Refer to the chemical resistance guide in this catalog for pump tube material compatibility.

†Tygothane® is a registered trademark of Saint-Gobain Performance Plastics. Refer to the chemical resistance guide in this catalog for pump tube material compatibility.

††Pellathane® is a registered trademark of The Dow Company.

Accessory Kit Contents

- 6 Connecting Nuts 1/4" or 3/8"
- 6 Ferrules 1/4" & 6 mm Europe OR 4 Ferrules 3/8"
- 2 Injection Check Valves 100 psi OR 2 Injection Fittings 25 psi
- 2 Weighted Suction Line Strainers 1/4" or 3/8", 6 mm Europe
- 2 20' Roll of Suction/Discharge Tubing 1/4" or 3/8" White or UV Black
OR 6 mm White Europe
- 2 Spare Pump Tubes
- 1 Mounting Bracket
- 1 Installation and Maintenance Manual

170 Pump Series outputs



Double Head Fixed Output

Model	Max. Pressure	Pump Tube Number	Approximate Output @ 60Hz						Approximate Output @ 50Hz		
			Gallons Per Day	Liters Per Day	Gallons Per Hour	Liters Per Hour	Ounces Per Minute	Milliliters Per Minute	Liters Per Day	Liters Per Hour	Milliliters Per Minute
170DMHP9*	100 psi (6.9 bar)	# 1	10	37.9	0.42	1.58	0.89	26.32	30.3	1.26	21.04
170DMHP34*	100 psi (6.9 bar)	# 2	34	128.7	1.42	5.36	3.02	89.38	103	4.29	71.55
170DMP1	25 psi (1.7 bar)	# 1	10	37.9	0.42	1.58	0.89	26.32	30.3	1.26	21.04
170DMP2	25 psi (1.7 bar)	# 2	34	128.7	1.42	5.36	3.02	89.38	103	4.29	71.55
170DMP3	25 psi (1.7 bar)	# 3	80	302.8	3.33	12.62	7.11	210.28	242.2	10.09	168.22
170DMP4	25 psi (1.7 bar)	# 4	120	454.2	5	18.93	10.66	315.42	363.4	15.14	252.36
170DMP5	25 psi (1.7 bar)	# 5	170	643.6	7.08	26.8	15.1	446.88	514.8	21.45	357.5

*Pump supplied with injection check valve for 26-100 psi (1.7-6.9 bar) applications



Double Head Adjustable Output

Model	Max. Pressure	Pump Tube No.	Approximate Output @ 60Hz						Approximate Output @ 50Hz		
			Gallons Per Day	Liters Per Day	Gallons Per Hour	Liters Per Hour	Ounces Per Minute	Milliliters Per Minute	Liters Per Day	Liters Per Hour	Milliliters Per Minute
170DMHP9*	100 psi (6.9 bar)	# 1	0.5 to 10	1.9 to 37.9	0.02 to 0.42	0.08 to 1.58	0.04 to 0.89	1.32 to 26.32	1.5 to 30.3	0.06 to 1.26	1.04 to 21.04
170DMHP34*	100 psi (6.9 bar)	# 2	1.7 to 34	6.4 to 128.7	0.07 to 1.42	0.27 to 5.36	0.15 to 3.02	4.44 to 89.38	5.1 to 103	0.21 to 4.29	3.54 to 71.55
170DM1	25 psi (1.7 bar)	# 1	0.5 to 10	1.9 to 37.9	0.02 to 0.42	0.08 to 1.58	0.04 to 0.89	1.32 to 26.32	1.5 to 30.3	0.06 to 1.26	1.04 to 21.04
170DM2	25 psi (1.7 bar)	# 2	1.7 to 34	6.4 to 128.7	0.07 to 1.42	0.27 to 5.36	0.15 to 3.02	4.44 to 89.38	5.1 to 103	0.21 to 4.29	3.54 to 71.55
170DM3	25 psi (1.7 bar)	# 3	4 to 80	15.1 to 302.8	0.17 to 3.33	0.63 to 12.62	0.35 to 7.11	10.49 to 210.28	12.1 to 242.2	0.50 to 10.09	8.4 to 168.22
170DM4	25 psi (1.7 bar)	# 4	6 to 120	22.7 to 454.2	0.25 to 5	0.95 to 18.93	0.53 to 10.66	15.76 to 315.42	18.2 to 363.4	0.76 to 15.14	12.64 to 252.36
170DM5	25 psi (1.7 bar)	# 5	8.5 to 170	32.2 to 643.5	0.35 to 7.08	1.34 to 26.8	0.76 to 15.1	22.36 to 446.88	25.7 to 514.8	1.07 to 21.45	17.92 to 357.5

*Pump supplied with injection check valve for 26-100 psi (1.7-6.9 bar) applications

NOTICE: The information within this chart is solely intended for use as a guide. The output data is an approximation based on pumping water under a controlled testing environment. Many variables can affect the output of the pump. Stenner Pump Company recommends that all metering pumps undergo field calibration by means of analytical testing to confirm their outputs.

170 Pump Series specifications

Output Control for Adjustable Pumps Only . . .	Manual with external dial ring from 5-100%
Turndown Ratio	20:1
Suction/Discharge Polyethylene Tubing	1/4" , 3/8" , 6 mm Europe
Motor rpm	44
Motor HP	1/30
Voltage	120V, 220V 60Hz 230V, 250V 50Hz International
Amp Draw @ Maximum Load	1.7 @ 120V 0.9 @ 220V, 230V, 250V
Maximum Operating Temperature	125° F (52° C)
Maximum Viscosity	10,000 cPs*
Suction Lift	25 ft (7.6 m)
Dimensions (l x w x h)	Fixed output 10.2 x 5.3 x 6.0 in; 25.9 x 13.4 x 15.2 cm Adjustable output 12.7 x 5.3 x 6.0 in; 32.3 x 13.4 x 15.2 cm
Shipping Weight	Fixed output 9 lbs (4 kg) Adjustable output 10 lbs (4.5 kg)

*10,000 centipoise – 5 ft suction lift, high viscosity fluids decrease suction lift capability and pump displacement.

170 Pump Series output chart

170DMP Fixed Output Double Head: 0 to 25 psi (1.72 bar) Maximum Discharge Pressure

Model	Tube	gpd	lpd
170DMP1	# 1	10	30.3
170DMP2	# 2	34	102.6
170DMP3	# 3	80	242.2
170DMP4	# 4	120	363.4
170DMP5	# 5	170	514.8

Outputs per day in U.S. Gallons @ 60Hz & Liters @ 50Hz

170DMPHP Fixed Output Double Head: 26 to 100 psi (6.9 bar) Maximum Discharge Pressure

Model	Tube	gpd	lpd
170DMPHP9	# 1	10	30.3
170DMPHP34	# 2	34	102.6

Outputs per day in U.S. Gallons @ 60Hz & Liters @ 50Hz

170DM Adjustable Output Double Head: 0 to 25 psi (1.72 bar) Maximum Discharge Pressure

FEED RATE CONTROL SETTING

		L		1		2		3		4		5		6		7		8		9		10	
Model	Tube	gpd	lpd	gpd	lpd	gpd	lpd	gpd	lpd	gpd	lpd	gpd	lpd	gpd	lpd	gpd	lpd	gpd	lpd	gpd	lpd	gpd	lpd
170DM1	# 1	0.5	1.5	1	3	2	6.1	3	9.1	4	12.1	5	15.1	6	18.2	7	21.2	8	24.2	9	27.3	10	30.3
170DM2	# 2	1.7	5.1	3.4	10.3	6	18.2	9.5	28.8	13.6	39.1	17	51.5	20.4	61.8	23.8	72.1	27.2	82.4	30.6	92.7	34	102.6
170DM3	# 3	4	12.1	8	24.2	16	48.5	24	72.7	32	96.9	40	121.1	48	145.4	56	169.6	64	193.8	72	218	80	242.2
170DM4	# 4	6	18.2	12	36.3	24	72.7	36	109	48	145.3	60	181.7	72	218	84	254.4	96	290.7	108	327	120	363.4
170DM5	# 5	8.5	25.7	17	51.5	34	86	51	154.4	68	205.9	85	257.4	102	308.9	119	360.4	136	411.8	153	463.3	170	514.8

Outputs per day in U.S. Gallons @ 60Hz & Liters @ 50Hz

170DMHP Adjustable Output Double Head: 26 to 100 psi (6.9 bar) Maximum Discharge Pressure

FEED RATE CONTROL SETTING

		L		1		2		3		4		5		6		7		8		9		10	
Model	Tube	gpd	lpd	gpd	lpd	gpd	lpd	gpd	lpd	gpd	lpd	gpd	lpd	gpd	lpd	gpd	lpd	gpd	lpd	gpd	lpd	gpd	lpd
170DMHP9 # 1		0.5	1.5	1	3	2	6.1	3	9.1	4	12.1	5	15.1	6	18.2	7	21.2	8	24.2	9	27.3	10	30.3
170DMHP34 # 2		1.7	5.1	3.4	10.3	6	18.2	9.5	28.8	12.9	39.1	17	51.5	20.4	61.8	23.8	72.1	27.2	82.4	30.6	92.7	34	102.6

Outputs per day in U.S. Gallons @ 60Hz & Liters @ 50Hz

Notes