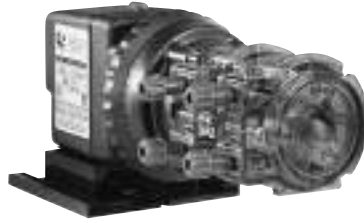


100 Pump Series description

Double Head Fixed Output



Double Head Adjustable Output



Output Range
 0.3–100 gpd at 25 psi
 0.3–20 gpd at 100 psi

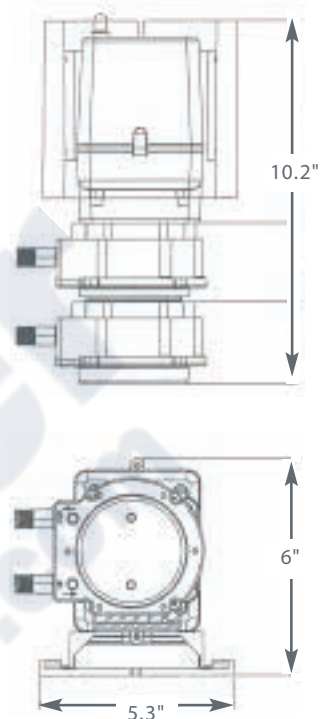
- 26 rpm gear motor
- Mechanical dial ring allows outputs adjustable in 2.5% increments
- 5 interchangeable tubes

FEATURES	BENEFITS
Peristaltic design	Self-priming, won't lose prime Can run dry without damage Chemicals are metered without exposure to air Pumps gaseous solutions
Pump tubes	Accept a variety of chemicals
Pump head	Universal with all Stenner pumps
Snap fit modular subassemblies	Quick serviceability without tools
Interchangeable pump tubes and subassemblies	Convert one Classic model to another
Mechanical feed rate control	Reproducibility within 2% of outputs
Manufactured since 1957	Time tested


100 Pump Series dimensions

Output Range
 0.3–100 gpd at 25 psi
 0.3–20 gpd at 100 psi

Double Head Fixed Output




 THIS PRODUCT HAS BEEN
 TESTED AND CERTIFIED BY
 THE WATER QUALITY ASSOCIATION
 ACCORDING TO NSF/ANSI 61 FOR
 MATERIALS SAFETY ONLY.

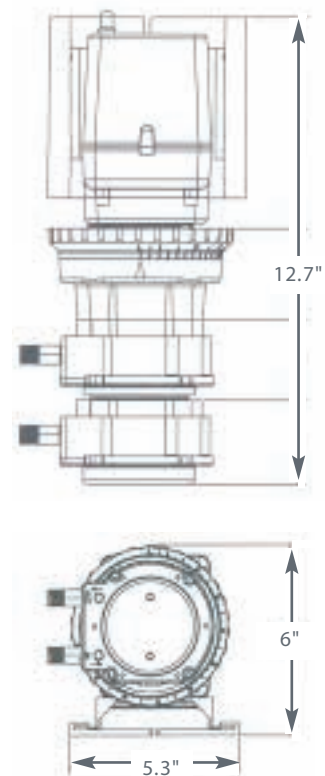
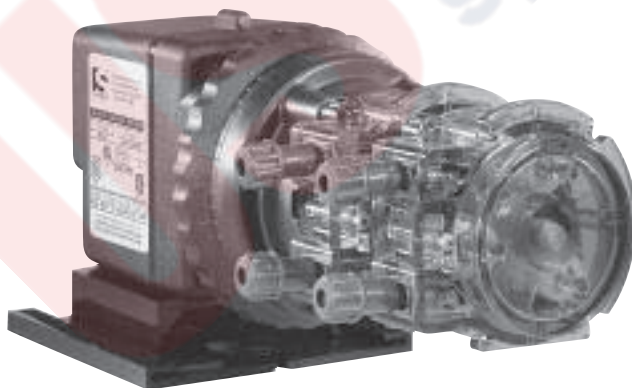
METERING PUMP
 LISTED
 96FO

METERING PUMP
 LR79585

 NRTL /C

CE 

Double Head Adjustable Output




 SANITATION LISTED
 CONFORMS TO
 STD. NSF-50
 CIRCULATION SYSTEM
 COMPONENTS FOR SWIMMING
 POOLS, SPAS, OR HOT TUBS


 THIS PRODUCT HAS BEEN
 TESTED AND CERTIFIED BY
 THE WATER QUALITY ASSOCIATION
 ACCORDING TO NSF/ANSI 61 FOR
 MATERIALS SAFETY ONLY.

METERING PUMP
 LISTED
 96FO

METERING PUMP
 LR79585

 NRTL /C

CE 

NOTE: Not all products have agency approval. Please call factory for more information.

100 Pump Series materials of construction

All Housings* Lexan® Polycarbonate Plastic

Peristaltic Tube** Santoprene® FDA Approved
Check Valve Duckbill

Peristaltic Tube† Tygothane® FDA Approved

Check Valve Duckbill†† Pellathane®

Suction/Discharge Tubing LDPE Polyethylene-NSF/FDA Approved
Ferrules (1/4" & 6 mm)

Tube Fittings Type 1 Rigid PVC-NSF Listed
Connecting Nuts
Check Valve Fittings
Weighted Suction Line Strainer

All Fasteners Stainless Steel

*Lexan® is a registered trademark of General Electric. Consult General Electric for chemical resistance of Lexan®.

**Santoprene® is a registered trademark of Advanced Elastomer System. Refer to the chemical resistance guide in this catalog for pump tube material compatibility.

†Tygothane® is a registered trademark of Saint-Gobain Performance Plastics. Refer to the chemical resistance guide in this catalog for pump tube material compatibility.

††Pellathane® is a registered trademark of The Dow Company.

Accessory Kit Contents

- 6 Connecting Nuts 1/4" or 3/8"
- 6 Ferrules 1/4" & 6 mm Europe OR 4 Ferrules 3/8"
- 2 Injection Check Valves 100 psi OR 2 Injection Fittings 25 psi
- 2 Weighted Suction Line Strainers 1/4" or 3/8", 6 mm Europe
- 2 20' Rolls of Suction/Discharge Tubing 1/4" or 3/8" White or UV Black
OR 6 mm White Europe
- 2 Spare Pump Tubes
- 1 Mounting Bracket
- 1 Installation and Maintenance Manuals

100 Pump Series outputs



Double Head Fixed Output

Model	Max. Pressure	Pump Tube Number	Approximate Output @ 60Hz						Approximate Output @ 50Hz		
			Gallons Per Day	Liters Per Day	Gallons Per Hour	Liters Per Hour	Ounces Per Minute	Milliliters Per Minute	Liters Per Day	Liters Per Hour	Milliliters Per Minute
100DMHP5*	100 psi (6.9 bar)	# 1	6	22.7	0.25	0.95	0.53	15.76	18.2	0.76	12.64
100DMHP20*	100 psi (6.9 bar)	# 2	20	75.7	0.83	3.15	1.78	52.57	60.6	2.53	42.06
100DMP1	25 psi (1.7 bar)	# 1	6	22.7	0.25	0.95	0.53	15.76	18.2	0.76	12.64
100DMP2	25 psi (1.7 bar)	# 2	20	75.7	0.83	3.15	1.78	52.57	60.6	2.53	42.06
100DMP3	25 psi (1.7 bar)	# 3	44	166.5	1.83	6.94	3.91	115.63	133.2	5.55	92.5
100DMP4	25 psi (1.7 bar)	# 4	70	265	2.92	11.04	6.22	184.03	212	8.83	147.22
100DMP5	25 psi (1.7 bar)	# 5	100	378.5	4.17	15.77	8.88	262.88	302.8	12.61	210.28

*Pump supplied with injection check valve for 26-100 psi (1.7-6.9 bar) applications



Double Head Adjustable Output

Model	Max. Pressure	Pump Tube No.	Approximate Output @ 60Hz						Approximate Output @ 50Hz		
			Gallons Per Day	liters Per Day	Gallons Per Hour	Liters Per Hour	Ounces Per Minute	Milliliters Per Minute	Liters Per Day	Liters Per Hour	Milliliters Per Minute
100DMHP5*	100 psi (6.9 bar)	# 1	0.3 to 6	1.1 to 22.7	0.01 to 0.25	0.05 to 0.95	0.03 to 0.53	0.76 to 15.76	0.9 to 18.2	0.04 to 0.76	0.61 to 12.64
100DMHP20*	100 psi (6.9 bar)	# 2	1 to 20	3.8 to 75.7	0.04 to 0.83	0.16 to 3.15	0.09 to 1.78	2.64 to 52.57	3 to 60.6	0.13 to 2.53	2.11 to 42.06
100DM1	25 psi (1.7 bar)	# 1	0.3 to 6	1.1 to 22.7	0.01 to 0.25	0.05 to 0.95	0.03 to 0.53	0.76 to 15.76	0.9 to 18.2	0.04 to 0.76	0.61 to 12.64
100DM2	25 psi (1.7 bar)	# 2	1 to 20	3.8 to 75.7	0.04 to 0.83	0.16 to 3.15	0.09 to 1.78	2.64 to 52.57	3 to 60.6	0.13 to 2.53	2.11 to 42.06
100DM3	25 psi (1.7 bar)	# 3	2.2 to 44	8.3 to 166.5	0.09 to 1.83	0.35 to 6.94	0.19 to 3.91	5.76 to 115.63	6.6 to 133.2	0.28 to 5.55	4.58 to 92.5
100DM4	25 psi (1.7 bar)	# 4	3.5 to 70	13.2 to 265	0.15 to 2.92	0.55 to 11.04	0.31 to 6.22	9.17 to 184.03	10.6 to 212	0.44 to 8.83	7.36 to 147.22
100DM5	25 psi (1.7 bar)	# 5	5 to 100	18.9 to 378.5	0.21 to 4.17	0.79 to 15.77	0.44 to 8.88	13.13 to 262.88	15.1 to 302.8	0.63 to 12.61	10.49 to 210.28

*Pump supplied with injection check valve for 26-100 psi (1.7-6.9 bar) applications

NOTICE: The information within this chart is solely intended for use as a guide. The output data is an approximation based on pumping water under a controlled testing environment. Many variables can affect the output of the pump. Stenner Pump Company recommends that all metering pumps undergo field calibration by means of analytical testing to confirm their outputs.

100 Pump Series specifications

Output Control for Adjustable Pumps Only . . .	Manual with external dial ring from 5-100%
Turndown Ratio	20:1
Suction/Discharge Polyethylene Tubing	1/4" , 3/8" , 6 mm Europe
Motor rpm	26
Motor HP	1/30
Voltage	120V, 220V 60Hz 230V, 250V 50Hz International
Amp Draw @ Maximum Load	1.7 @ 120V 0.9 @ 220V, 230V, 250V
Maximum Operating Temperature	125° F (52° C)
Maximum Viscosity	10,000 cPs*
Suction Lift	25 ft (7.6 m)
Dimensions (l x w x h)	Fixed output 10.2 x 5.3 x 6.0 in; 25.9 x 13.4 x 15.2 cm Adjustable output 12.7 x 5.3 x 6.0 in; 32.3 x 13.4 x 15.2 cm
Shipping Weight	Fixed output 9 lbs (4 kg) Adjustable output 10 lbs (4.5 kg)

*10,000 centipoise – 5 ft suction lift, high viscosity fluids decrease suction lift capability and pump displacement.

100 Pump Series output chart

100DMP Fixed Output Double Head: 0 to 25 psi (1.72 bar) Maximum Discharge Pressure

Model	Tube	gpd	lpd
100DMP1	# 1	6	18.2
100DMP2	# 2	20	60.6
100DMP3	# 3	44	133.2
100DMP4	# 4	70	212
100DMP5	# 5	100	302.8

Outputs per day in U.S. Gallons @ 60Hz & Liters @ 50Hz

100DMPHP Fixed Output Double Head: 26 to 100 psi (6.9 bar) Maximum Discharge Pressure

Model	Tube	gpd	lpd
100DMPHP5	# 1	6	18.2
100DMPHP20	# 2	20	60.6

Outputs per day in U.S. Gallons @ 60Hz & Liters @ 50Hz

100DM Adjustable Output Double Head: 0 to 25 psi (1.72 bar) Maximum Discharge Pressure

FEED RATE CONTROL SETTING

		L		1		2		3		4		5		6		7		8		9		10	
Model	Tube	gpd	lpd	gpd	lpd	gpd	lpd	gpd	lpd	gpd	lpd	gpd	lpd	gpd	lpd	gpd	lpd	gpd	lpd	gpd	lpd	gpd	lpd
100DM1	# 1	0.3	0.9	0.6	1.8	1.2	3.6	1.8	5.5	2.4	7.3	3.0	9.1	3.6	10.9	4.2	12.7	4.8	14.5	5.4	16.4	6	18.2
100DM2	# 2	1	3	2	6.1	4	12.1	6	18.2	8	24.2	10	30.3	12	36.4	14	42.4	16	48.5	18	54.5	20	60.6
100DM3	# 3	2.2	6.7	4.4	13.3	8.8	26.7	13.2	40	17.6	53.3	22	66.6	26.4	79.9	30.8	93.3	35.2	106.6	39.6	119.9	44	133.2
100DM4	# 4	3.5	10.6	7	21.2	14	42.4	21	63.6	28	84.8	35	106	42	127.2	49	148.4	56	169.6	63	190.8	70	212
100DM5	# 5	5	15.1	10	30.3	20	60.6	30	90.8	40	121.1	50	151.4	60	181.7	70	212	80	242.2	90	272.5	100	302.8

Outputs per day in U.S. Gallons @ 60Hz & Liters @ 50Hz

100DMHP Adjustable Output Double Head: 26 to 100 psi (6.9 bar) Maximum Discharge Pressure

FEED RATE CONTROL SETTING

		L		1		2		3		4		5		6		7		8		9		10	
Model	Tube	gpd	lpd	gpd	lpd	gpd	lpd	gpd	lpd	gpd	lpd	gpd	lpd	gpd	lpd	gpd	lpd	gpd	lpd	gpd	lpd	gpd	lpd
100DMHP5 # 1	# 1	0.3	0.9	0.6	1.8	1.2	3.6	1.8	5.5	2.4	7.3	3	9.1	3.6	10.9	4.2	12.7	4.8	14.5	5.4	16.4	6	18.2
100DMHP20 # 2	# 2	1	3	2	6.1	4	12.1	6	18.2	8	24.2	10	30.3	12	36.4	14	42.4	16	48.5	18	54.5	20	60.6

Outputs per day in U.S. Gallons @ 60Hz & Liters @ 50Hz

100 Pump Series build item number

Item number is required for placing orders. To build item number, select code based on application requirements.

1	0	0							Factory Use Only
Double Head			Control	Pressure Rating	Pump Tube	Voltage & Hertz	Suction Discharge Tubing	Pump Tube Material	

CODE

Control

- F Fixed
- J Adjustable
- D Dual Head Dual Control (contact the factory for information)

Pressure Rating

- L 0-25 psi (0-1.7 bar)
- H 26-100 psi (1.7-6.9 bar)

Pump Tube

Outputs @ 60Hz, for 50Hz refer to output page in this catalog.

25 psi (1.7 bar)

	gpd	lpd	Fixed	Adjustable
1	6	23	100DMP1	100DM1
2	20	76	100DMP2	100DM2
3	44	167	100DMP3	100DM3
4	70	265	100DMP4	100DM4
5	100	379	100DMP5	100DM5

100 psi (6.9 bar)

	gpd	lpd	Fixed	Adjustable
1	6	23	100DMPHP5	100DMHP5
2	20	76	100DMPHP20	100DMHP20

Voltage & Hertz

- A 120V 60Hz
- B 220V 60Hz
- C 230V 50Hz, CEE7 cord International
- D 250V 50Hz, CEE7 cord International

Contact the factory for additional voltage and cord options.

Suction Discharge Tubing

O.D.; does not affect output

- 1 1/4" White
- 2 1/4" UV Black
- 3 3/8" White
- 4 3/8" UV Black
- 5 6 mm White Europe

Pump Tube Material

Application specific, refer to chemical resistance guide for chemical compatibility.

- S Santoprene®
- T Tygothane® (available in #2 and #5 size only, see Pump Tube)

Notes

US Water
systems.com