

100 Pump Series description

Double Head Fixed Output

Double Head Adjustable Output



Output Range
 0.3–100 gpd at 25 psi
 0.3–20 gpd at 100 psi

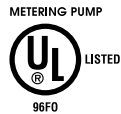
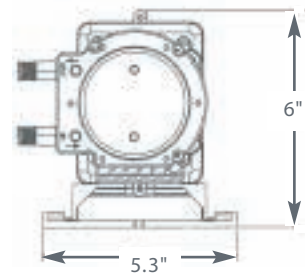
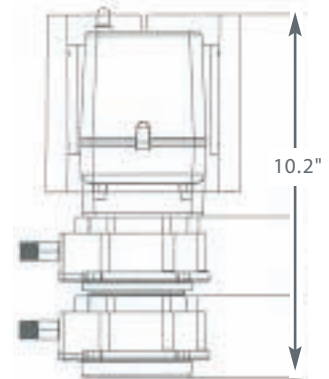
- 26 rpm gear motor
- Mechanical dial ring allows outputs adjustable in 2.5% increments
- 5 interchangeable tubes

| FEATURES | BENEFITS |
|--|--|
| Peristaltic design | Self-priming, won't lose prime Can run dry without damage Chemicals are metered without exposure to air Pumps gaseous solutions |
| Pump tubes | Accept a variety of chemicals |
| Pump head | Universal with all Stenner pumps |
| Snap fit modular subassemblies | Quick serviceability without tools |
| Interchangeable pump tubes and subassemblies | Convert one Classic model to another |
| Mechanical feed rate control | Reproducibility within 2% of outputs |
| Manufactured since 1957 | Time tested |

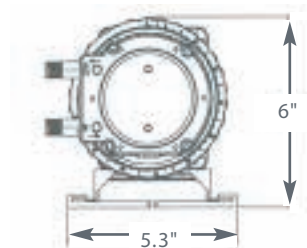
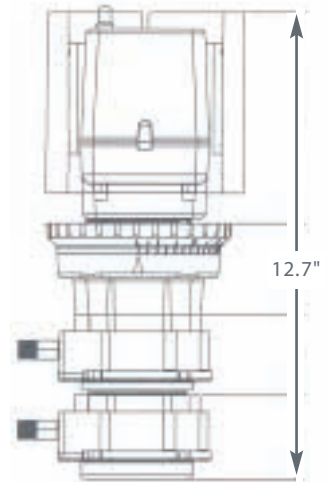
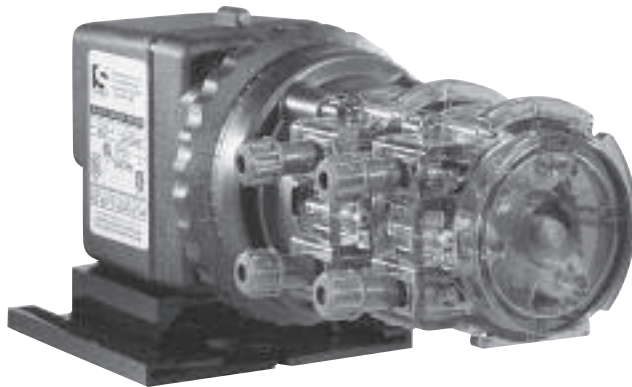
100 Pump Series dimensions

Output Range
 0.3–100 gpd at 25 psi
 0.3–20 gpd at 100 psi

Double Head Fixed Output



Double Head Adjustable Output



NOTE: Not all products have agency approval. Please call factory for more information.

100 Pump Series materials of construction

All Housings* Lexan® Polycarbonate Plastic

Peristaltic Tube** Santoprene® FDA Approved
Check Valve Duckbill

Peristaltic Tube† Tygothane® FDA Approved

Check Valve Duckbill†† Pellathane®

Suction/Discharge Tubing LDPE Polyethylene-NSF/FDA Approved
Ferrules (1/4" & 6 mm)

Tube Fittings Type 1 Rigid PVC-NSF Listed
Connecting Nuts
Check Valve Fittings
Weighted Suction Line Strainer

All Fasteners Stainless Steel

*Lexan® is a registered trademark of General Electric. Consult General Electric for chemical resistance of Lexan®.

**Santoprene® is a registered trademark of Advanced Elastomer System. Refer to the chemical resistance guide in this catalog for pump tube material compatibility.

†Tygothane® is a registered trademark of Saint-Gobain Performance Plastics. Refer to the chemical resistance guide in this catalog for pump tube material compatibility.

††Pellathane® is a registered trademark of The Dow Company.

Accessory Kit Contents

- 6 Connecting Nuts 1/4" or 3/8"
- 6 Ferrules 1/4" & 6 mm Europe OR 4 Ferrules 3/8"
- 2 Injection Check Valves 100 psi OR 2 Injection Fittings 25 psi
- 2 Weighted Suction Line Strainers 1/4" or 3/8", 6 mm Europe
- 2 20' Rolls of Suction/Discharge Tubing 1/4" or 3/8" White or UV Black
OR 6 mm White Europe
- 2 Spare Pump Tubes
- 1 Mounting Bracket
- 1 Installation and Maintenance Manuals

100 Pump Series outputs



Double Head Fixed Output

| Model | Max. Pressure | Pump Tube Number | Approximate Output @ 60Hz | | | | | | Approximate Output @ 50Hz | | |
|------------|-------------------|------------------|---------------------------|----------------|------------------|-----------------|-------------------|------------------------|---------------------------|-----------------|------------------------|
| | | | Gallons Per Day | Liters Per Day | Gallons Per Hour | Liters Per Hour | Ounces Per Minute | Milliliters Per Minute | Liters Per Day | Liters Per Hour | Milliliters Per Minute |
| 100DMHP5* | 100 psi (6.9 bar) | # 1 | 6 | 22.7 | 0.25 | 0.95 | 0.53 | 15.76 | 18.2 | 0.76 | 12.64 |
| 100DMHP20* | 100 psi (6.9 bar) | # 2 | 20 | 75.7 | 0.83 | 3.15 | 1.78 | 52.57 | 60.6 | 2.53 | 42.06 |
| 100DMP1 | 25 psi (1.7 bar) | # 1 | 6 | 22.7 | 0.25 | 0.95 | 0.53 | 15.76 | 18.2 | 0.76 | 12.64 |
| 100DMP2 | 25 psi (1.7 bar) | # 2 | 20 | 75.7 | 0.83 | 3.15 | 1.78 | 52.57 | 60.6 | 2.53 | 42.06 |
| 100DMP3 | 25 psi (1.7 bar) | # 3 | 44 | 166.5 | 1.83 | 6.94 | 3.91 | 115.63 | 133.2 | 5.55 | 92.5 |
| 100DMP4 | 25 psi (1.7 bar) | # 4 | 70 | 265 | 2.92 | 11.04 | 6.22 | 184.03 | 212 | 8.83 | 147.22 |
| 100DMP5 | 25 psi (1.7 bar) | # 5 | 100 | 378.5 | 4.17 | 15.77 | 8.88 | 262.88 | 302.8 | 12.61 | 210.28 |

*Pump supplied with injection check valve for 26-100 psi (1.7-6.9 bar) applications



Double Head Adjustable Output

| Model | Max. Pressure | Pump Tube No. | Approximate Output @ 60Hz | | | | | | Approximate Output @ 50Hz | | |
|------------|-------------------|---------------|---------------------------|----------------|------------------|-----------------|-------------------|------------------------|---------------------------|-----------------|------------------------|
| | | | Gallons Per Day | liters Per Day | Gallons Per Hour | Liters Per Hour | Ounces Per Minute | Milliliters Per Minute | Liters Per Day | Liters Per Hour | Milliliters Per Minute |
| 100DMHP5* | 100 psi (6.9 bar) | # 1 | 0.3 to 6 | 1.1 to 22.7 | 0.01 to 0.25 | 0.05 to 0.95 | 0.03 to 0.53 | 0.76 to 15.76 | 0.9 to 18.2 | 0.04 to 0.76 | 0.61 to 12.64 |
| 100DMHP20* | 100 psi (6.9 bar) | # 2 | 1 to 20 | 3.8 to 75.7 | 0.04 to 0.83 | 0.16 to 3.15 | 0.09 to 1.78 | 2.64 to 52.57 | 3 to 60.6 | 0.13 to 2.53 | 2.11 to 42.06 |
| 100DM1 | 25 psi (1.7 bar) | # 1 | 0.3 to 6 | 1.1 to 22.7 | 0.01 to 0.25 | 0.05 to 0.95 | 0.03 to 0.53 | 0.76 to 15.76 | 0.9 to 18.2 | 0.04 to 0.76 | 0.61 to 12.64 |
| 100DM2 | 25 psi (1.7 bar) | # 2 | 1 to 20 | 3.8 to 75.7 | 0.04 to 0.83 | 0.16 to 3.15 | 0.09 to 1.78 | 2.64 to 52.57 | 3 to 60.6 | 0.13 to 2.53 | 2.11 to 42.06 |
| 100DM3 | 25 psi (1.7 bar) | # 3 | 2.2 to 44 | 8.3 to 166.5 | 0.09 to 1.83 | 0.35 to 6.94 | 0.19 to 3.91 | 5.76 to 115.63 | 6.6 to 133.2 | 0.28 to 5.55 | 4.58 to 92.5 |
| 100DM4 | 25 psi (1.7 bar) | # 4 | 3.5 to 70 | 13.2 to 265 | 0.15 to 2.92 | 0.55 to 11.04 | 0.31 to 6.22 | 9.17 to 184.03 | 10.6 to 212 | 0.44 to 8.83 | 7.36 to 147.22 |
| 100DM5 | 25 psi (1.7 bar) | # 5 | 5 to 100 | 18.9 to 378.5 | 0.21 to 4.17 | 0.79 to 15.77 | 0.44 to 8.88 | 13.13 to 262.88 | 15.1 to 302.8 | 0.63 to 12.61 | 10.49 to 210.28 |

*Pump supplied with injection check valve for 26-100 psi (1.7-6.9 bar) applications

NOTICE: The information within this chart is solely intended for use as a guide. The output data is an approximation based on pumping water under a controlled testing environment. Many variables can affect the output of the pump. Stenner Pump Company recommends that all metering pumps undergo field calibration by means of analytical testing to confirm their outputs.

100 Pump Series specifications

| | |
|---|---|
| Output Control for Adjustable Pumps Only . . . | Manual with external dial ring from 5-100% |
| Turndown Ratio | 20:1 |
| Suction/Discharge Polyethylene Tubing | 1/4" , 3/8" , 6 mm Europe |
| Motor rpm | 26 |
| Motor HP | 1/30 |
| Voltage | 120V, 220V 60Hz 230V, 250V 50Hz International |
| Amp Draw @ Maximum Load | 1.7 @ 120V 0.9 @ 220V, 230V, 250V |
| Maximum Operating Temperature | 125° F (52° C) |
| Maximum Viscosity | 10,000 cPs* |
| Suction Lift | 25 ft (7.6 m) |
| Dimensions (l x w x h) | Fixed output 10.2 x 5.3 x 6.0 in; 25.9 x 13.4 x 15.2 cm Adjustable output 12.7 x 5.3 x 6.0 in; 32.3 x 13.4 x 15.2 cm |
| Shipping Weight | Fixed output 9 lbs (4 kg) Adjustable output 10 lbs (4.5 kg) |

*10,000 centipoise – 5 ft suction lift, high viscosity fluids decrease suction lift capability and pump displacement.

100 Pump Series output chart

100DMP Fixed Output Double Head: 0 to 25 psi (1.72 bar) Maximum Discharge Pressure

| Model | Tube | gpd | lpd |
|---------|------|-----|-------|
| 100DMP1 | # 1 | 6 | 18.2 |
| 100DMP2 | # 2 | 20 | 60.6 |
| 100DMP3 | # 3 | 44 | 133.2 |
| 100DMP4 | # 4 | 70 | 212 |
| 100DMP5 | # 5 | 100 | 302.8 |

Outputs per day in U.S. Gallons @ 60Hz & Liters @ 50Hz

100DMPHP Fixed Output Double Head: 26 to 100 psi (6.9 bar) Maximum Discharge Pressure

| Model | Tube | gpd | lpd |
|------------|------|-----|------|
| 100DMPHP5 | # 1 | 6 | 18.2 |
| 100DMPHP20 | # 2 | 20 | 60.6 |

Outputs per day in U.S. Gallons @ 60Hz & Liters @ 50Hz

100DM Adjustable Output Double Head: 0 to 25 psi (1.72 bar) Maximum Discharge Pressure

FEED RATE CONTROL SETTING

| | | L | | 1 | | 2 | | 3 | | 4 | | 5 | | 6 | | 7 | | 8 | | 9 | | 10 | |
|--------|------|-----|------|-----|------|-----|------|------|------|------|-------|-----|-------|------|-------|------|-------|------|-------|------|-------|-----|-------|
| Model | Tube | gpd | lpd | gpd | lpd | gpd | lpd | gpd | lpd | gpd | lpd | gpd | lpd | gpd | lpd | gpd | lpd | gpd | lpd | gpd | lpd | gpd | lpd |
| 100DM1 | # 1 | 0.3 | 0.9 | 0.6 | 1.8 | 1.2 | 3.6 | 1.8 | 5.5 | 2.4 | 7.3 | 3.0 | 9.1 | 3.6 | 10.9 | 4.2 | 12.7 | 4.8 | 14.5 | 5.4 | 16.4 | 6 | 18.2 |
| 100DM2 | # 2 | 1 | 3 | 2 | 6.1 | 4 | 12.1 | 6 | 18.2 | 8 | 24.2 | 10 | 30.3 | 12 | 36.4 | 14 | 42.4 | 16 | 48.5 | 18 | 54.5 | 20 | 60.6 |
| 100DM3 | # 3 | 2.2 | 6.7 | 4.4 | 13.3 | 8.8 | 26.7 | 13.2 | 40 | 17.6 | 53.3 | 22 | 66.6 | 26.4 | 79.9 | 30.8 | 93.3 | 35.2 | 106.6 | 39.6 | 119.9 | 44 | 133.2 |
| 100DM4 | # 4 | 3.5 | 10.6 | 7 | 21.2 | 14 | 42.4 | 21 | 63.6 | 28 | 84.8 | 35 | 106 | 42 | 127.2 | 49 | 148.4 | 56 | 169.6 | 63 | 190.8 | 70 | 212 |
| 100DM5 | # 5 | 5 | 15.1 | 10 | 30.3 | 20 | 60.6 | 30 | 90.8 | 40 | 121.1 | 50 | 151.4 | 60 | 181.7 | 70 | 212 | 80 | 242.2 | 90 | 272.5 | 100 | 302.8 |

Outputs per day in U.S. Gallons @ 60Hz & Liters @ 50Hz

100DMHP Adjustable Output Double Head: 26 to 100 psi (6.9 bar) Maximum Discharge Pressure

FEED RATE CONTROL SETTING

| | | L | | 1 | | 2 | | 3 | | 4 | | 5 | | 6 | | 7 | | 8 | | 9 | | 10 | |
|---------------|------|-----|-----|-----|-----|-----|------|-----|------|-----|------|-----|------|-----|------|-----|------|-----|------|-----|------|-----|------|
| Model | Tube | gpd | lpd | gpd | lpd | gpd | lpd | gpd | lpd | gpd | lpd | gpd | lpd | gpd | lpd | gpd | lpd | gpd | lpd | gpd | lpd | gpd | lpd |
| 100DMHP5 # 1 | # 1 | 0.3 | 0.9 | 0.6 | 1.8 | 1.2 | 3.6 | 1.8 | 5.5 | 2.4 | 7.3 | 3 | 9.1 | 3.6 | 10.9 | 4.2 | 12.7 | 4.8 | 14.5 | 5.4 | 16.4 | 6 | 18.2 |
| 100DMHP20 # 2 | # 2 | 1 | 3 | 2 | 6.1 | 4 | 12.1 | 6 | 18.2 | 8 | 24.2 | 10 | 30.3 | 12 | 36.4 | 14 | 42.4 | 16 | 48.5 | 18 | 54.5 | 20 | 60.6 |

Outputs per day in U.S. Gallons @ 60Hz & Liters @ 50Hz

100 Pump Series build item number

Item number is required for placing orders. To build item number, select code based on application requirements.

| | | | | | | | | | |
|-------------|----------|----------|---------|-----------------|-----------|-----------------|--------------------------|--------------------|------------------|
| 1 | 0 | 0 | | | | | | | Factory Use Only |
| Double Head | | | Control | Pressure Rating | Pump Tube | Voltage & Hertz | Suction Discharge Tubing | Pump Tube Material | |

CODE

| Control | <p>F Fixed</p> <p>J Adjustable</p> <p>D Dual Head Dual Control (contact the factory for information)</p> | | | | | | | | | | | | | | | | | | | | | | | | | | | | | | | | | | | | | | | | | | | | | |
|--------------------------|---|-----|------------|------------|-------|------------|---|---|----|---------|--------|---|----|----|---------|--------|---|----|-----|---------|--------|---|----|-----|---------|--------|---|-----|-----|---------|--------|--|-----|-----|-------|------------|---|---|----|-----------|----------|---|----|----|------------|-----------|
| Pressure Rating | <p>L 0-25 psi (0-1.7 bar)</p> <p>H 26-100 psi (1.7-6.9 bar)</p> | | | | | | | | | | | | | | | | | | | | | | | | | | | | | | | | | | | | | | | | | | | | | |
| Pump Tube | <p>Outputs @ 60Hz, for 50Hz refer to output page in this catalog.</p> <p>25 psi (1.7 bar)</p> <table style="width: 100%; border-collapse: collapse;"> <thead> <tr> <th style="width: 5%;"></th> <th style="width: 10%;">gpd</th> <th style="width: 10%;">lpd</th> <th style="width: 20%;">Fixed</th> <th style="width: 20%;">Adjustable</th> </tr> </thead> <tbody> <tr> <td>1</td> <td>6</td> <td>23</td> <td>100DMP1</td> <td>100DM1</td> </tr> <tr> <td>2</td> <td>20</td> <td>76</td> <td>100DMP2</td> <td>100DM2</td> </tr> <tr> <td>3</td> <td>44</td> <td>167</td> <td>100DMP3</td> <td>100DM3</td> </tr> <tr> <td>4</td> <td>70</td> <td>265</td> <td>100DMP4</td> <td>100DM4</td> </tr> <tr> <td>5</td> <td>100</td> <td>379</td> <td>100DMP5</td> <td>100DM5</td> </tr> </tbody> </table> <p>100 psi (6.9 bar)</p> <table style="width: 100%; border-collapse: collapse;"> <thead> <tr> <th style="width: 5%;"></th> <th style="width: 10%;">gpd</th> <th style="width: 10%;">lpd</th> <th style="width: 20%;">Fixed</th> <th style="width: 20%;">Adjustable</th> </tr> </thead> <tbody> <tr> <td>1</td> <td>6</td> <td>23</td> <td>100DMPHP5</td> <td>100DMHP5</td> </tr> <tr> <td>2</td> <td>20</td> <td>76</td> <td>100DMPHP20</td> <td>100DMHP20</td> </tr> </tbody> </table> | | gpd | lpd | Fixed | Adjustable | 1 | 6 | 23 | 100DMP1 | 100DM1 | 2 | 20 | 76 | 100DMP2 | 100DM2 | 3 | 44 | 167 | 100DMP3 | 100DM3 | 4 | 70 | 265 | 100DMP4 | 100DM4 | 5 | 100 | 379 | 100DMP5 | 100DM5 | | gpd | lpd | Fixed | Adjustable | 1 | 6 | 23 | 100DMPHP5 | 100DMHP5 | 2 | 20 | 76 | 100DMPHP20 | 100DMHP20 |
| | gpd | lpd | Fixed | Adjustable | | | | | | | | | | | | | | | | | | | | | | | | | | | | | | | | | | | | | | | | | | |
| 1 | 6 | 23 | 100DMP1 | 100DM1 | | | | | | | | | | | | | | | | | | | | | | | | | | | | | | | | | | | | | | | | | | |
| 2 | 20 | 76 | 100DMP2 | 100DM2 | | | | | | | | | | | | | | | | | | | | | | | | | | | | | | | | | | | | | | | | | | |
| 3 | 44 | 167 | 100DMP3 | 100DM3 | | | | | | | | | | | | | | | | | | | | | | | | | | | | | | | | | | | | | | | | | | |
| 4 | 70 | 265 | 100DMP4 | 100DM4 | | | | | | | | | | | | | | | | | | | | | | | | | | | | | | | | | | | | | | | | | | |
| 5 | 100 | 379 | 100DMP5 | 100DM5 | | | | | | | | | | | | | | | | | | | | | | | | | | | | | | | | | | | | | | | | | | |
| | gpd | lpd | Fixed | Adjustable | | | | | | | | | | | | | | | | | | | | | | | | | | | | | | | | | | | | | | | | | | |
| 1 | 6 | 23 | 100DMPHP5 | 100DMHP5 | | | | | | | | | | | | | | | | | | | | | | | | | | | | | | | | | | | | | | | | | | |
| 2 | 20 | 76 | 100DMPHP20 | 100DMHP20 | | | | | | | | | | | | | | | | | | | | | | | | | | | | | | | | | | | | | | | | | | |
| Voltage & Hertz | <p>A 120V 60Hz</p> <p>B 220V 60Hz</p> <p>C 230V 50Hz, CEE7 cord International</p> <p>D 250V 50Hz, CEE7 cord International</p> <p>Contact the factory for additional voltage and cord options.</p> | | | | | | | | | | | | | | | | | | | | | | | | | | | | | | | | | | | | | | | | | | | | | |
| Suction Discharge Tubing | <p>O.D.; does not affect output</p> <p>1 1/4" White</p> <p>2 1/4" UV Black</p> <p>3 3/8" White</p> <p>4 3/8" UV Black</p> <p>5 6 mm White Europe</p> | | | | | | | | | | | | | | | | | | | | | | | | | | | | | | | | | | | | | | | | | | | | | |
| Pump Tube Material | <p>Application specific, refer to chemical resistance guide for chemical compatibility.</p> <p>S Santoprene®</p> <p>T Tygothane® (available in #2 and #5 size only, see Pump Tube)</p> | | | | | | | | | | | | | | | | | | | | | | | | | | | | | | | | | | | | | | | | | | | | | |

Notes