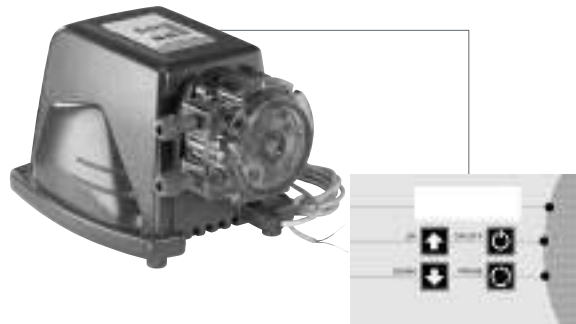


# SVP Pump Series description

## Variable Speed

## Variable Speed with 4-20mA Input



Output Range  
 0.3–85 gpd at 25 psi  
 0.3–40 gpd at 100 psi

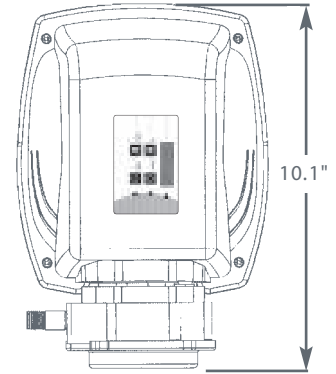
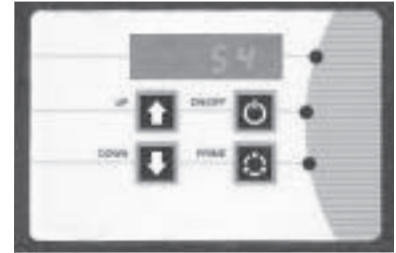
- 45 rpm motor
- 20:1 turndown ratio (non scalable)
- 6 interchangeable tubes

FEATURES	BENEFITS
4-20mA input control	Optional
Heavy-duty motor	Long life, quiet operation
4-button keypad with large LED display	Turndown ratio in 1% increments
Peristaltic design	Self-priming, won't lose prime Can run dry without damage Chemicals are metered without exposure to air Pumps gaseous solutions
Pump tubes	Accept a variety of chemicals

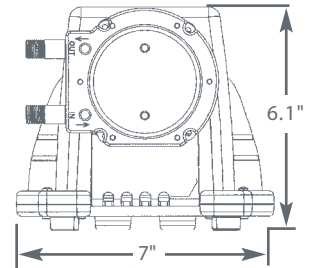
# SVP Pump Series dimensions

Output Range  
 0.3–85 gpd at 25 psi  
 0.3–40 gpd at 100 psi

## Variable Speed



## Variable Speed with 4-20mA Input



NOTE: Not all products have agency approval. Please call factory for more information.

# SVP Pump Series materials of construction

All Housings\* . . . . . Lexan® Polycarbonate Plastic

Peristaltic Tube\*\* . . . . . Santoprene® FDA Approved  
Check Valve Duckbill

Peristaltic Tube† . . . . . Tygothane® FDA Approved

Check Valve Duckbill†† . . . . . Pellathane®

Suction/Discharge Tubing . . . . . LDPE Polyethylene-NSF/FDA Approved  
Ferrules (1/4" & 6 mm)

Tube Fittings . . . . . Type 1 Rigid PVC-NSF Listed  
Connecting Nuts  
Check Valve Fittings  
Weighted Suction Line Strainer

All Fasteners . . . . . Stainless Steel

\*Lexan® is a registered trademark of General Electric. Consult General Electric for chemical resistance of Lexan®.

\*\*Santoprene® is a registered trademark of Advanced Elastomer System. Refer to the chemical resistance guide in this catalog for pump tube material compatibility.

†Tygothane® is a registered trademark of Saint-Gobain Performance Plastics. Refer to the chemical resistance guide in this catalog for pump tube material compatibility.

††Pellathane® is a registered trademark of The Dow Company.

## Accessory Kit Contents

- 3 Connecting Nuts 1/4" or 3/8"
- 3 Ferrules 1/4" & 6 mm Europe or 2 Ferrules 3/8"
- 1 Injection Check Valve 100 psi OR 1 Injection Fitting 25 psi
- 1 Weighted Suction Line Strainer 1/4" or 3/8", 6 mm Europe
- 1 20' Roll of Suction/Discharge tubing 1/4" or 3/8" White or UV Black  
OR 6 mm White Europe
- 1 Spare Pump Tube
- 1 Installation and Maintenance Manual

# SVP Pump Series outputs



## Variable Speed

Approximate Output @ 50 & 60Hz

Model	Maximum Pressure	Pump Tube Number	gallons per day	liters per day	gallons per hour	liters per hour	ounces per minute	milliliters per minute
SVP1H1*	100 psi (6.9 bar)	# 1	0.3 to 5	1.1 to 18.9	0.01 to 0.21	0.05 to 0.79	0.03 to 0.44	0.76 to 13.13
SVP1H2*	100 psi (6.9 bar)	# 2	0.8 to 17	3 to 64.4	0.03 to 0.71	0.13 to 2.68	0.07 to 1.51	2.08 to 44.65
SVP1H7*	100 psi (6.9 bar)	# 7	2 to 40	7.6 to 151.4	0.08 to 1.67	0.32 to 6.31	0.18 to 3.55	5.27 to 105.14
SVP1L1	25 psi (1.7 bar)	# 1	0.3 to 5	1.1 to 18.9	0.01 to 0.21	0.05 to 0.79	0.03 to 0.44	0.76 to 13.13
SVP1L2	25 psi (1.7 bar)	# 2	0.8 to 17	3 to 64.4	0.03 to 0.71	0.13 to 2.68	0.07 to 1.51	2.08 to 44.65
SVP1L3	25 psi (1.7 bar)	# 3	2 to 40	7.6 to 151.4	0.08 to 1.67	0.32 to 6.31	0.18 to 3.55	5.27 to 105.14
SVP1L4	25 psi (1.7 bar)	# 4	3 to 60	11.4 to 227.1	0.13 to 2.5	0.48 to 9.46	0.27 to 5.33	7.92 to 157.71
SVP1L5	25 psi (1.7 bar)	# 5	4.3 to 85	16.3 to 321.8	0.18 to 3.54	0.68 to 13.4	0.38 to 7.55	11.32 to 223.4

\*Pump supplied with injection check valve for 26-100 psi (1.7-6.9 bar) applications



## Variable Speed with 4-20mA Input

Approximate Output @ 50 & 60Hz

Model	Maximum Pressure	Pump Tube Number	Max. Input Signal V/ Input Signal Resistance	gallons per day	liters per day	gallons per hour	liters per hour	ounces per minute	milliliters per minute
SVP4H1*	100 psi (6.9 bar)	# 1	Max. 48 VDC 128 ohm	0.3 to 5	1.1 to 18.9	0.01 to 0.21	0.05 to 0.79	0.03 to 0.44	0.76 to 13.13
SVP4H2*	100 psi (6.9 bar)	# 2	Max. 48 VDC 128 ohm	0.8 to 17	3.0 to 64.4	0.03 to 0.71	0.13 to 2.68	0.07 to 1.51	2.08 to 44.65
SVP4H7*	100 psi (6.9 bar)	# 7	Max. 48 VDC 128 ohm	2 to 40	7.6 to 151.4	0.08 to 1.67	0.32 to 6.31	0.18 to 3.55	5.27 to 105.14
SVP4L1	25 psi (1.7 bar)	# 1	Max. 48 VDC 128 ohm	0.3 to 5	1.1 to 18.9	0.01 to 0.21	0.05 to 0.79	0.03 to 0.44	0.76 to 13.13
SVP4L2	25 psi (1.7 bar)	# 2	Max. 48 VDC 128 ohm	0.8 to 17	3.0 to 64.4	0.03 to 0.71	0.13 to 2.68	0.07 to 1.51	2.08 to 44.65
SVP4L3	25 psi (1.7 bar)	# 3	Max. 48 VDC 128 ohm	2 to 40	7.6 to 151.4	0.08 to 1.67	0.32 to 6.31	0.18 to 3.55	5.27 to 105.14
SVP4L4	25 psi (1.7 bar)	# 4	Max. 48 VDC 128 ohm	3 to 60	11.4 to 227.1	0.13 to 2.5	0.48 to 9.46	0.27 to 5.33	7.92 to 157.71
SVP4L5	25 psi (1.7 bar)	# 5	Max. 48 VDC 128 ohm	4.3 to 85	16.3 to 321.8	0.18 to 3.54	0.68 to 13.4	0.38 to 7.55	11.32 to 223.4

\*Pump supplied with injection check valve for 26-100 psi (1.7-6.9 bar) applications

**NOTICE:** The information within this chart is solely intended for use as a guide. The output data is an approximation based on pumping water under a controlled testing environment. Many variables can affect the output of the pump. Stenner Pump Company recommends that all metering pumps undergo field calibration by means of analytical testing to confirm their outputs.

# SVP Pump Series specifications

Turndown Ratio	20:1
Suction/Discharge Polyethylene Tubing	1/4", 3/8", 6 mm Europe
Motor rpm	45
Motor HP	1/30
Voltage	120V, 220V 60Hz 230V, 250V 50Hz International
Amp Draw @ Maximum Load	1.5 @120V
Maximum Operating Temperature	125° F (52° C)
Maximum Viscosity	10,000 cPs*
Suction Lift	25 ft; 7.6 m
Dimensions (l x w x h)	10.1 x 7.0 x 6.1 in; 25.7 x 17.8 x 15.5 cm
Shipping Weight	9 lbs (4 kg)

\*10,000 centipoise – 5 ft suction lift, high viscosity fluids decrease suction lift capability and pump displacement.

# SVP Pump Series output chart

SVP1 Variable Speed: 0 to 25 psi (1.72 bar) Maximum Discharge Pressure			
Model	Tube	gpd	lpd
SVP1L1	# 1	5	18.9
SVP1L2	# 2	17	64.4
SVP1L3	# 3	40	151.4
SVP1L4	# 4	60	227.1
SVP1L5	# 5	85	321.8
Approximate Outputs @ 50 & 60Hz			

SVP1 Variable Speed: 26 to 100 psi (6.9 bar) Maximum Discharge Pressure			
Model	Tube	gpd	lpd
SVP1H1	# 1	5	18.9
SVP1H2	# 2	17	64.4
SVP1H7	# 7	40	151.4
Approximate Outputs @ 50 & 60Hz			

SVP4 Variable Speed: 4-20mA input, 0 to 25 psi (1.72 bar) Maximum Discharge Pressure			
Model	Tube	gpd	lpd
SVP4L1	# 1	5	18.9
SVP4L2	# 2	17	64.4
SVP4L3	# 3	40	151.4
SVP4L4	# 4	60	227.1
SVP4L5	# 5	85	321.8
Approximate Outputs @ 50 & 60Hz			

SVP4 Variable Speed: 4-20mA input, 26 to 100 psi (6.9 bar) Maximum Discharge Pressure			
Model	Tube	gpd	lpd
SVP4H1	# 1	5	18.9
SVP4H2	# 2	17	64.4
SVP4H7	# 7	40	151.4
Approximate Outputs @ 50 & 60Hz			

# SVP Pump Series build item number

Item number is required for placing orders. To build item number, select code based on application requirements.

<b>S</b>	<b>V</b>	<b>P</b>							Factory Use Only
			Control	Pressure Rating	Pump Tube	Voltage & Hertz	Suction Discharge Tubing	Pump Tube Material	

CODE

Control	1	Variable speed
	4	Variable speed with 4-20mA
<hr/>		
Pressure Rating	L	0-25 psi (0-1.7 bar)
	H	26-100 psi (1.7-6.9 bar)
<hr/>		
Pump Tube	Outputs @ 50 & 60 Hz.	
	25 psi (1.7 bar)	
		gpd   lpd
	1	5   19
	2	17   64
	3	40   151
	4	60   227
	5	85   321
	100 psi (6.9 bar)	
		gpd   lpd
	1	5   19
	2	17   64
	7	40   151
<hr/>		
Voltage & Hertz	A	120V 60Hz
	B	220V 60Hz
	C	230V 50Hz, CEE7 cord International
	D	250V 50Hz, CEE7 cord International
	Contact the factory for additional voltage and cord options.	
<hr/>		
Suction Discharge Tubing	O.D.; does not affect output	
	1	1/4" White
	2	1/4" UV Black
	3	3/8" White
	4	3/8" UV Black
	5	6 mm White Europe
<hr/>		
Pump Tube Material	Application specific, refer to chemical resistance guide for chemical compatibility.	
	S	Santoprene®
	T	Tygothane® (available in #2 and #5 size only, see Pump Tube)

NOTE: Tanks sold separately at page 20.

# Notes