

All American 5 Stage Reverse Osmosis System

Features

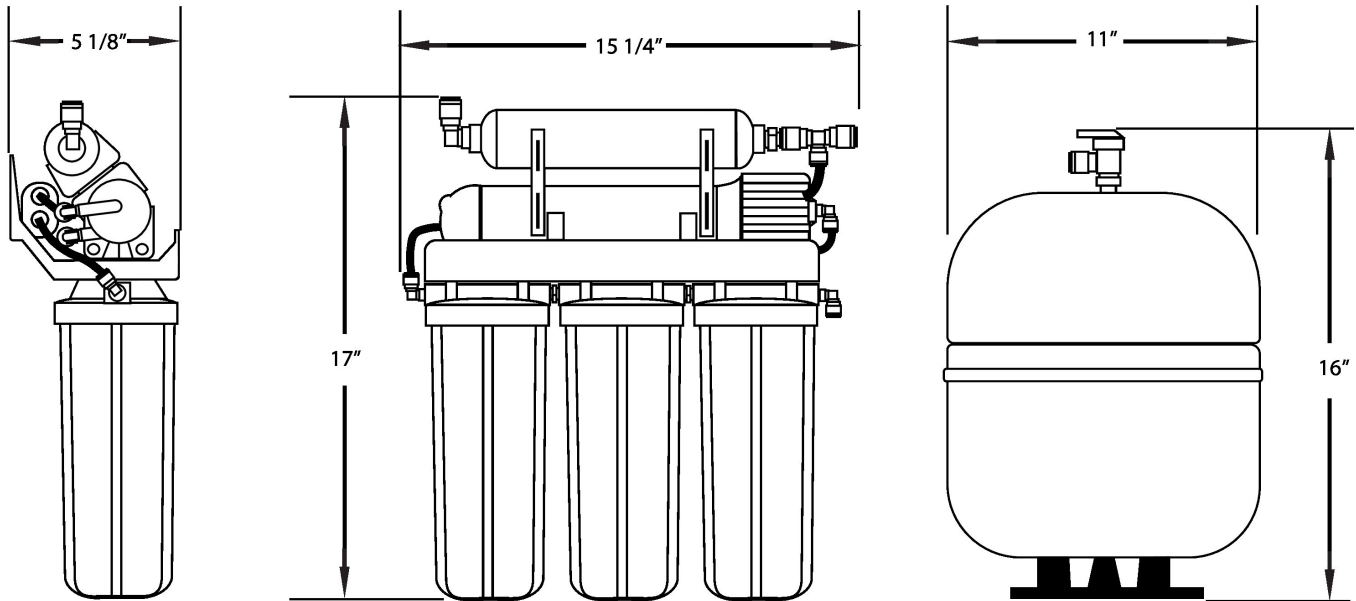
- 100% Made in the USA
- 100% BPA Free
- Utilizes FDA and NSF Compliant Materials
- Double O-ring Posi-Seal Pre-filters
- 100 GPD Membrane
- 95%-99% Rejection of TDS
- 4 Gallon Storage tank
- Multiple Faucet Colors Available
 - Chrome
 - Brushed Chrome
 - Brushed Nickel
 - Stainless Steel
- 5 Year Warranty
- High Pressure Permeate Pump Option

Filtration Steps

1. 5 Micron Sediment Filter with Posi-Seal
2. Carbon Block Filter with Posi-Seal
3. 1 Micron Special Blend Carbon Block Filter
4. 100 GPD Membrane
5. Post Carbon Filter



All American 5 Stage Reverse Osmosis System



Part #	Permeate Pump	Faucet Color	Daily Output	Warranty	Filter Pack Part Number
200-AARO-5100-P-NF	Yes	None	100 GPD	5 Year	201-FP5-AARO
200-AARO-5100-NF	No	None	100 GPD	5 Year	201-FP5-AARO
200-AARO-5100-P-CH	Yes	Chrome	100 GPD	5 Year	201-FP5-AARO
200-AARO-5100-CH	No	Chrome	100 GPD	5 Year	201-FP5-AARO
200-AARO-5100-P-BC	Yes	Brushed Chrome	100 GPD	5 Year	201-FP5-AARO
200-AARO-5100-BC	No	Brushed Chrome	100 GPD	5 Year	201-FP5-AARO
200-AARO-5100-P-BN	Yes	Brushed Nickel	100 GPD	5 Year	201-FP5-AARO
200-AARO-5100-BN	No	Brushed Nickel	100 GPD	5 Year	201-FP5-AARO
200-AARO-5100-P-SS	Yes	Stainless Steel	100 GPD	5 Year	201-FP5-AARO
200-AARO-5100-SS	No	Stainless Steel	100 GPD	5 Year	201-FP5-AARO

Useful Links

Manual

https://usws-pdfs.s3.us-east-2.amazonaws.com/media/pdf/AAROManual_Final.pdf

Installation Video

<https://youtu.be/gRaLSWZD19c>

