

SOFTENER

MODEL NO. 140-39-1200-S-4M

CAPACITY:

MIN. 960,000 grs. @ 10 lbs./cu.ft. (each tank)
 MAX. 1,200,000 grs. @ 15 lbs./cu.ft. (each tank)

FLOW RATE:

NORMAL 205 gpm. (each tank)
 PEAK 280 gpm. (each tank)
 BACKWASH 65 gpm. (each tank)

TANK SIZE: 48" x 72"

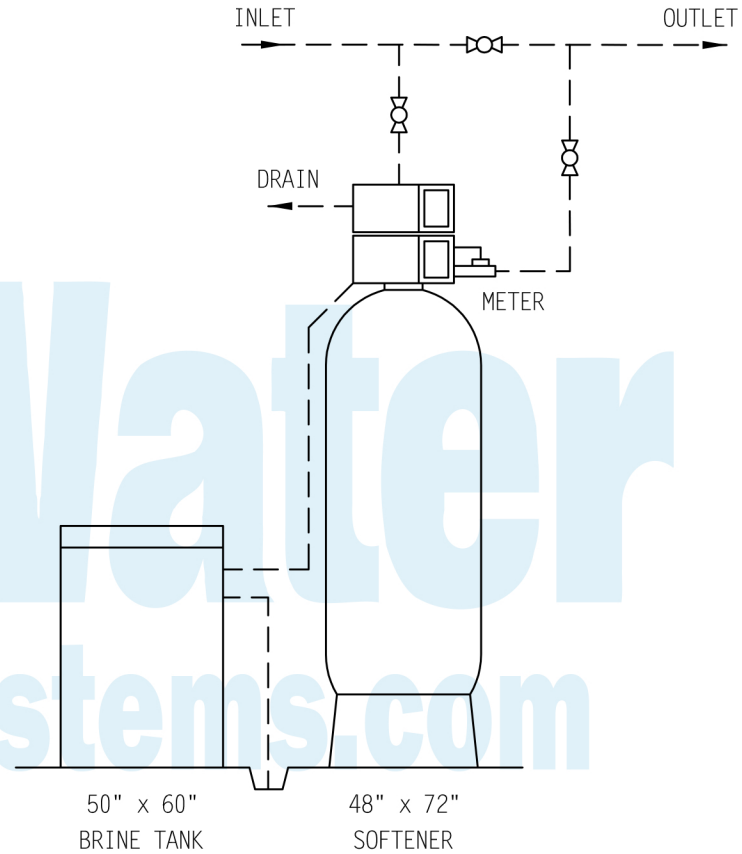
COMPOSITE

MEDIA:

RESIN 40 cu.ft. (each tank)
 GRAVEL 900 lbs. (each tank)

PIPE SIZE:

INLET 3"
 OUTLET 3"
 DRAIN 2"
 BRINE 1"
 METER 3"



NOTE:
 ALL DASHED PIPE, VALVES,
 AND FITTINGS NOT PROVIDED
 BY US WATER SYSTEMS

BRINE TANK

TANK SIZE: 50" x 60"

POLYETHYLENE

CAPACITY:

500 gals.
 4,500 lbs./salt

BRINE VALVE: 494

BRINE WELL: 5"

SPACE REQUIRED (APPROX)
 102"L x 50"W x 106"H

PEAK FLOWS ARE NOT
 RECOMMENDED FOR EXTENDED
 PERIODS OF TIME.

WEIGHT (APPROX)

TOTAL SHIPPING 4,300 lbs.

DO NOT SCALE DRAWING

THIS DRAWING IS ISSUED IN CONFIDENCE AND
 CANNOT BE REPRODUCED OR USED TO
 MANUFACTURE ANYTHING SHOWN OR REFERRED
 TO WITHOUT DIRECT WRITTEN PERMISSION FROM
 US WATER SYSTEMS

		US WATER SYSTEMS 1209 COUNTRY CLUB RD INDIANAPOLIS, IN 46234 1-800-608-8792
GENERAL ARRANGEMENT DWG.		
SOFTENER 1200K		
SYSTEM 4-METER		
DRAWN BY:	M. CURTIS	DWG. NO. 140-39-1200-S-4M
DATE:		
CHECKED BY:		
PAGE 1 OF 1		