

# 2" CARBON FILTER

MODEL NO. 140-31F-GAC-20

**FLOW RATE:**

PEAK 64 GPM.  
 BACKWASH 90 GPM.

TANK SIZE: 36" x 72"  
 COMPOSITE

**MEDIA:**

CARBON 20 cu. ft.  
 GRAVEL 500 lbs.

**PIPE SIZE"**

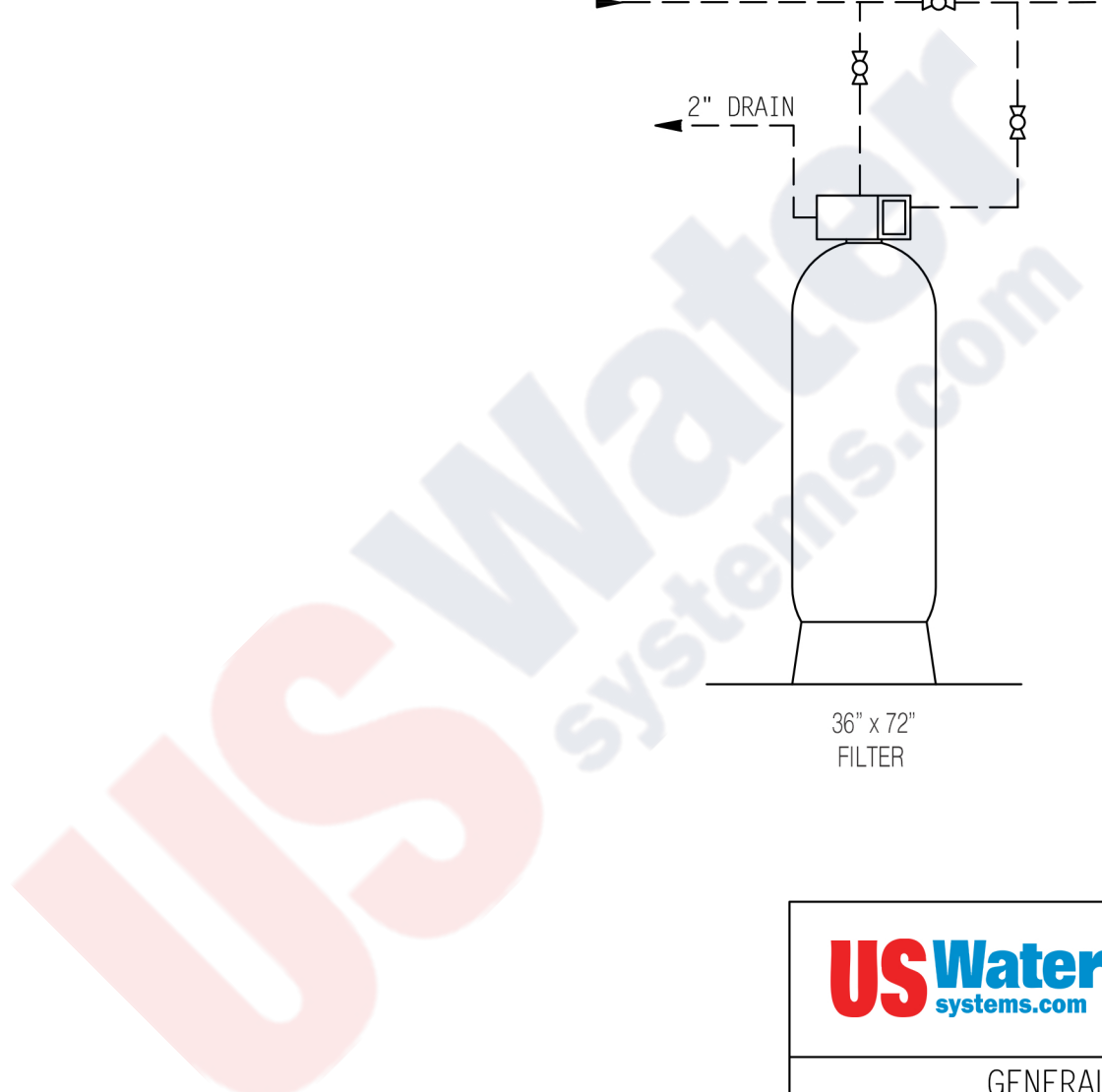
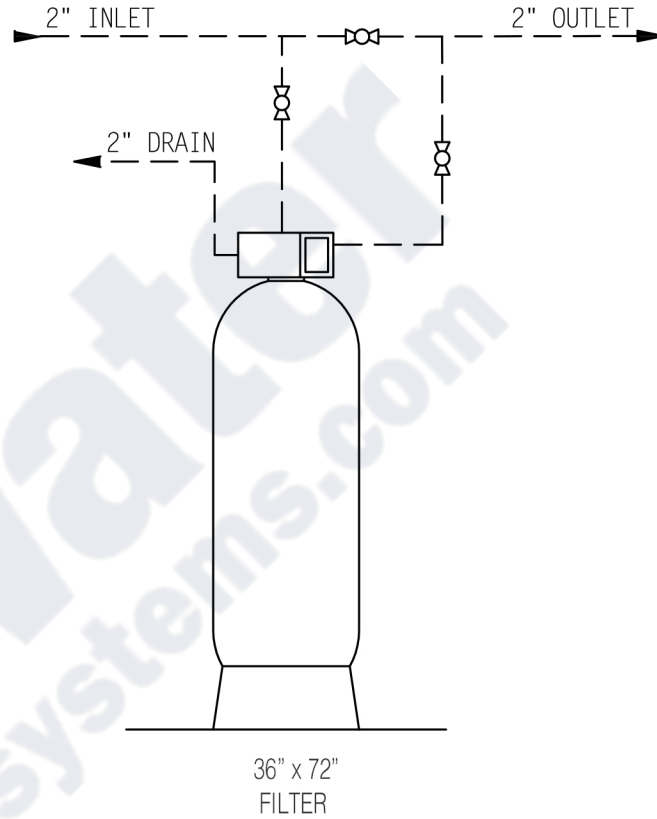
INLET 2"  
 OUTLET 2"  
 DRAIN 2"

**WEIGHT (APPROX)**

TOTAL SHIPPING 1450 lbs.

**SPACE REQUIRED (APPROX)**

36" L x 36" W x 85" H




**NOTE:**

ALL DASHED PIPE, VALVES,  
 AND FITTINGS NOT PROVIDED  
 BY US WATER SYSTEMS

**DO NOT SCALE DRAWING**

THIS DRAWING IS ISSUED IN CONFIDENCE AND CANNOT BE REPRODUCED OR USED TO MANUFACTURE ANYTHING SHOWN OR REFERRED TO WITHOUT DIRECT WRITTEN PERMISSION FROM US WATER SYSTEMS

		US Water Systems 1209 Country Club Road Indianapolis, IN 46234 1-800-608-8792 www.USWaterSystems.com
GENERAL ARRANGEMENT DWG. FILTER SIMPLEX SYSTEM TIMELOCK		
DRAWN BY: DATE: CHECKED BY: PAGE 1 OF 1	_____ _____ _____ _____	DWG. NO. 140-31F-GAC-20