

CARBON FILTER

MODEL NO. 140-28F-GAC-10

FLOW RATE:

- NORMAL 15 GPM.
- PEAK 30 GPM.
- BACKWASH 30 GPM.

TANK SIZE: 24" x 72"
COMPOSITE

MEDIA:

- CARBON 10 cu. ft.
- GRAVEL 250 lbs.

PIPE SIZE:

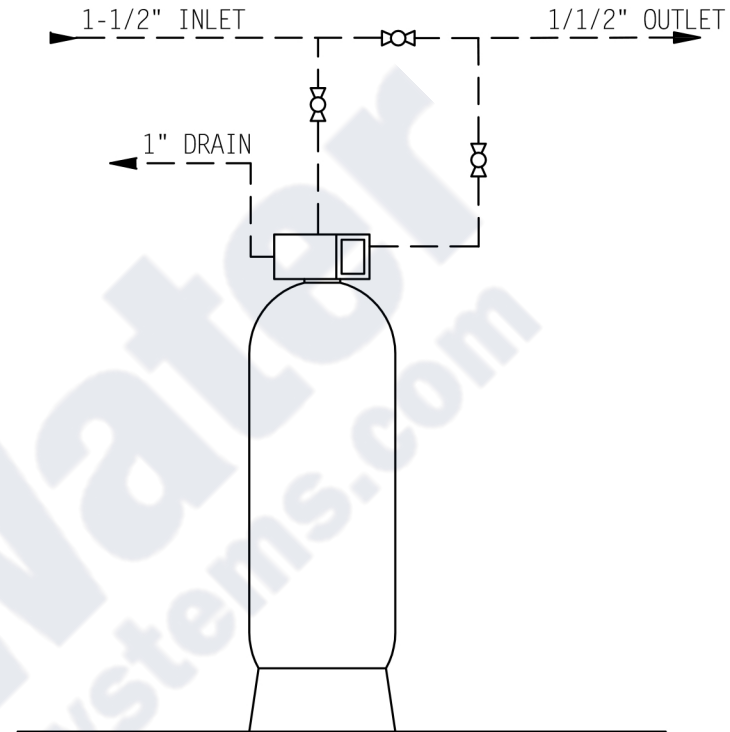
- INLET 1-1/2"
- OUTLET 1-1/2"
- DRAIN 1"

WEIGHT (APPROX)

- TOTAL SHIPPING 786 lbs.
- TOTAL OPERATING 1,376 lbs.

SPACE REQUIRED (APPROX)

24" L x 24" W x 81" H



24" x 72"
CARBON FILTER

NOTE:

ALL DASHED PIPE, VALVES,
AND FITTINGS NOT PROVIDED
BY US WATER SYSTEMS

DO NOT SCALE DRAWING

THIS DRAWING IS ISSUED IN CONFIDENCE AND
CANNOT BE REPRODUCED OR USED TO
MANUFACTURE ANYTHING SHOWN OR REFERRED
TO WITHOUT DIRECT WRITTEN PERMISSION FROM
US WATER SYSTEMS



US Water Systems

1209 Country Club Road
Indianapolis, IN 46234
1-800-608-8792
www.USWaterSystems.com

GENERAL ARRANGEMENT DWG.
CARBON FILTER
SIMPLEX SYSTEM TIMECLOCK

DRAWN BY:	
DATE:	05-18-07
CHECKED BY:	
PAGE 1 OF 1	REV: 01-12-11

DWG. NO.

140-28F-GAC-10