

SEDIMENT FILTER

MODEL NO. 140-28F-CSB-7

FLOW RATE:

- NORMAL 30 GPM.
- PEAK 50 GPM.
- BACKWASH 35 GPM.

TANK SIZE: 21" x 62"
COMPOSITE

MEDIA:

- CHEMSORB 7 cu. ft.
- GRAVEL 150 lbs.

PIPE SIZE:

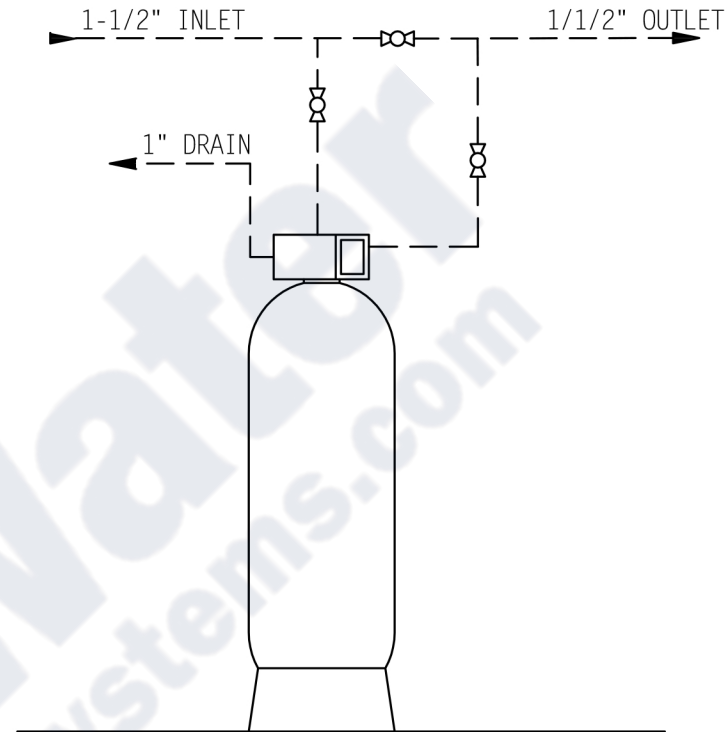
- INLET 1-1/2"
- OUTLET 1-1/2"
- DRAIN 1"

WEIGHT (APPROX)

- TOTAL SHIPPING 1,092 lbs.
- TOTAL OPERATING 2,088 lbs.

SPACE REQUIRED (APPROX)

24" L x 21" W x 74" H



21" x 62"
SEDIMENT FILTER

NOTE:

ALL DASHED PIPE, VALVES,
AND FITTINGS NOT PROVIDED
BY US WATER SYSTEMS

DO NOT SCALE DRAWING

THIS DRAWING IS ISSUED IN CONFIDENCE AND
CANNOT BE REPRODUCED OR USED TO
MANUFACTURE ANYTHING SHOWN OR REFERRED
TO WITHOUT DIRECT WRITTEN PERMISSION FROM
US WATER SYSTEMS



US Water Systems

1209 Country Club Road
Indianapolis, IN 46234
1-800-608-8792
www.USWaterSystems.com

GENERAL ARRANGEMENT DWG.
SEDIMENT FILTER
SIMPLEX SYSTEM TIMELOCK

DRAWN BY:	
DATE:	01-27-06
CHECKED BY:	
PAGE 1 OF 1	REV: 11-23-09

DWG. NO.

140-28F-CSB-7