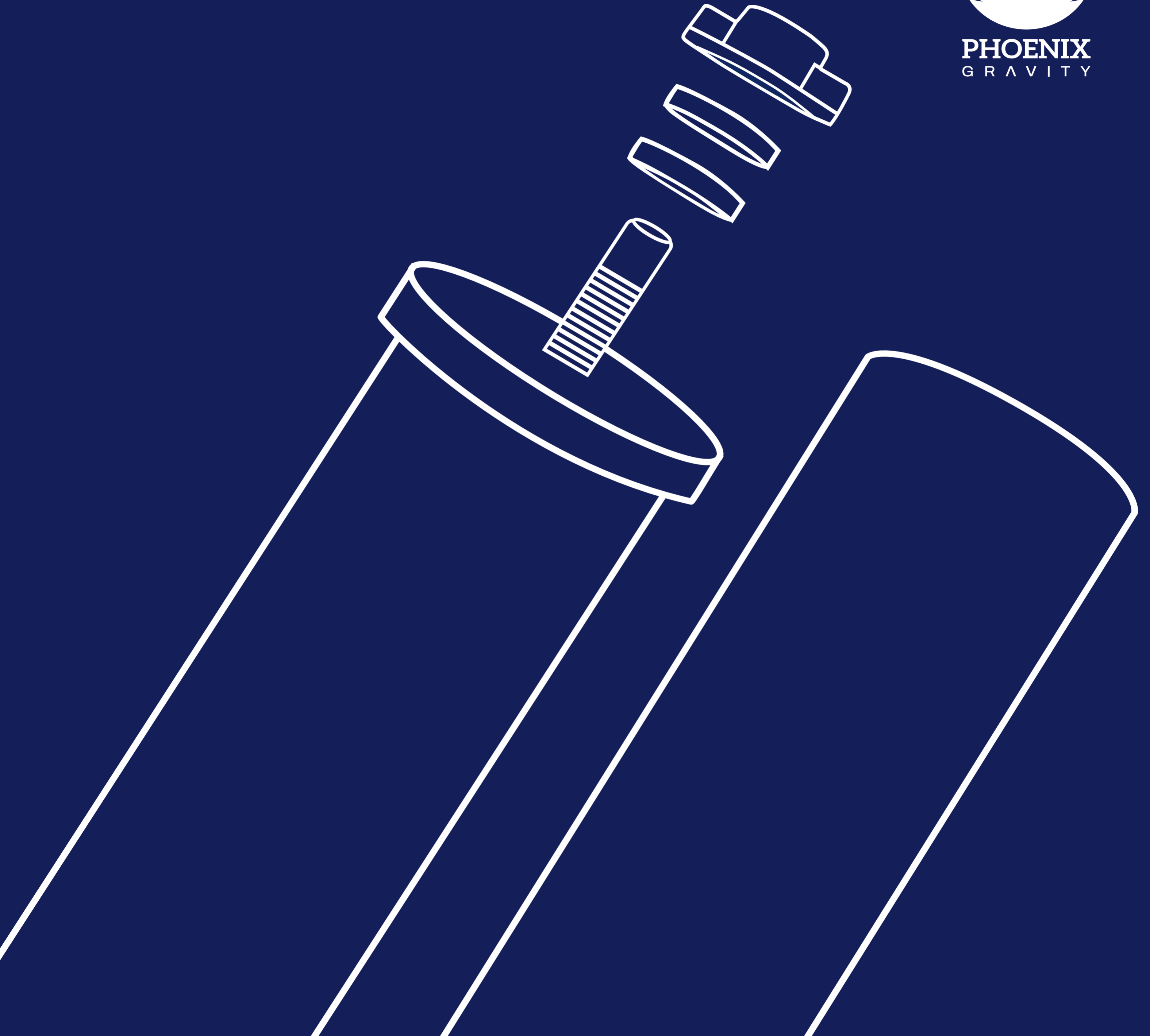


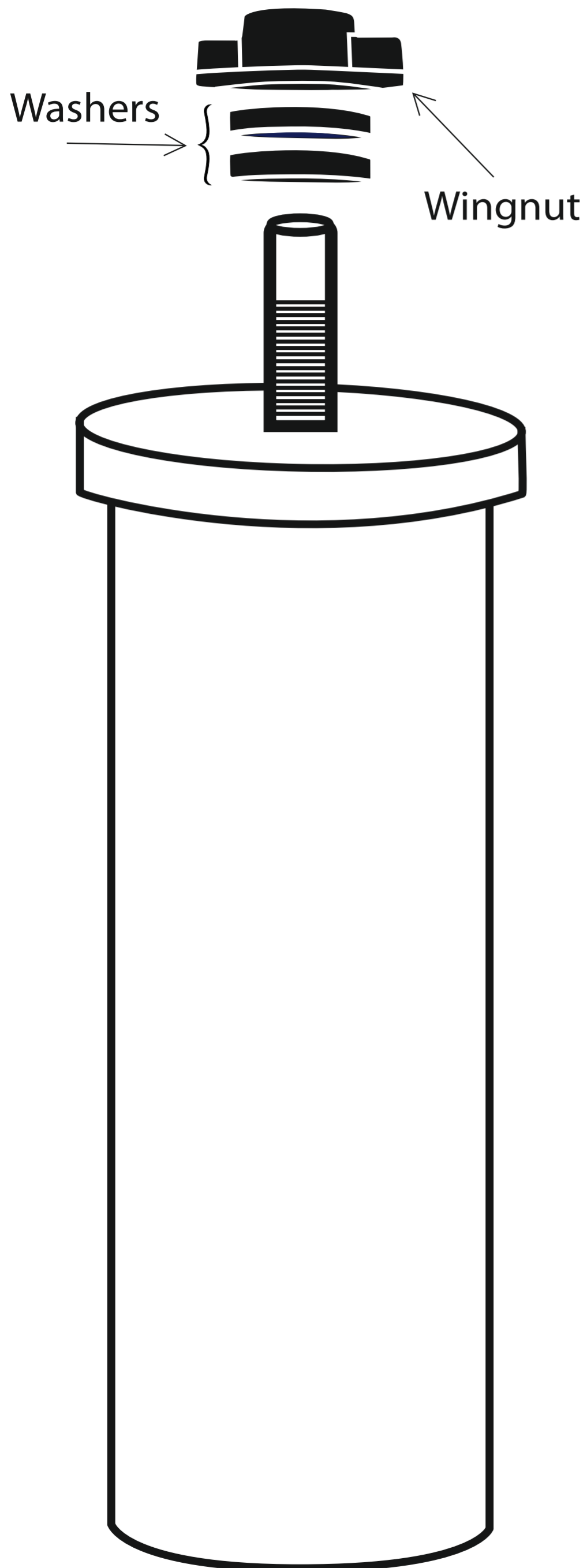
# Instruction Sheet

Phoenix Gravity Carbon Filter Cartridge



**PHOENIX**  
GRAVITY





## **Before use, your Carbon Cartridges must be primed**

Priming is a simple process which flushes the carbon filter cartridge of any residual sediment from the manufacturing process. These particles are completely safe but may be blocking the pores which could lead to **slow flow** and **cloudy water**.

### **Before you start: Cleanliness is key**

Wash hands before proceeding and ensure contamination does not take place while priming/cleaning the cartridges. Ensure all packaging is removed and unscrew two washers and wingnut from the thread of each carbon filter cartridge.

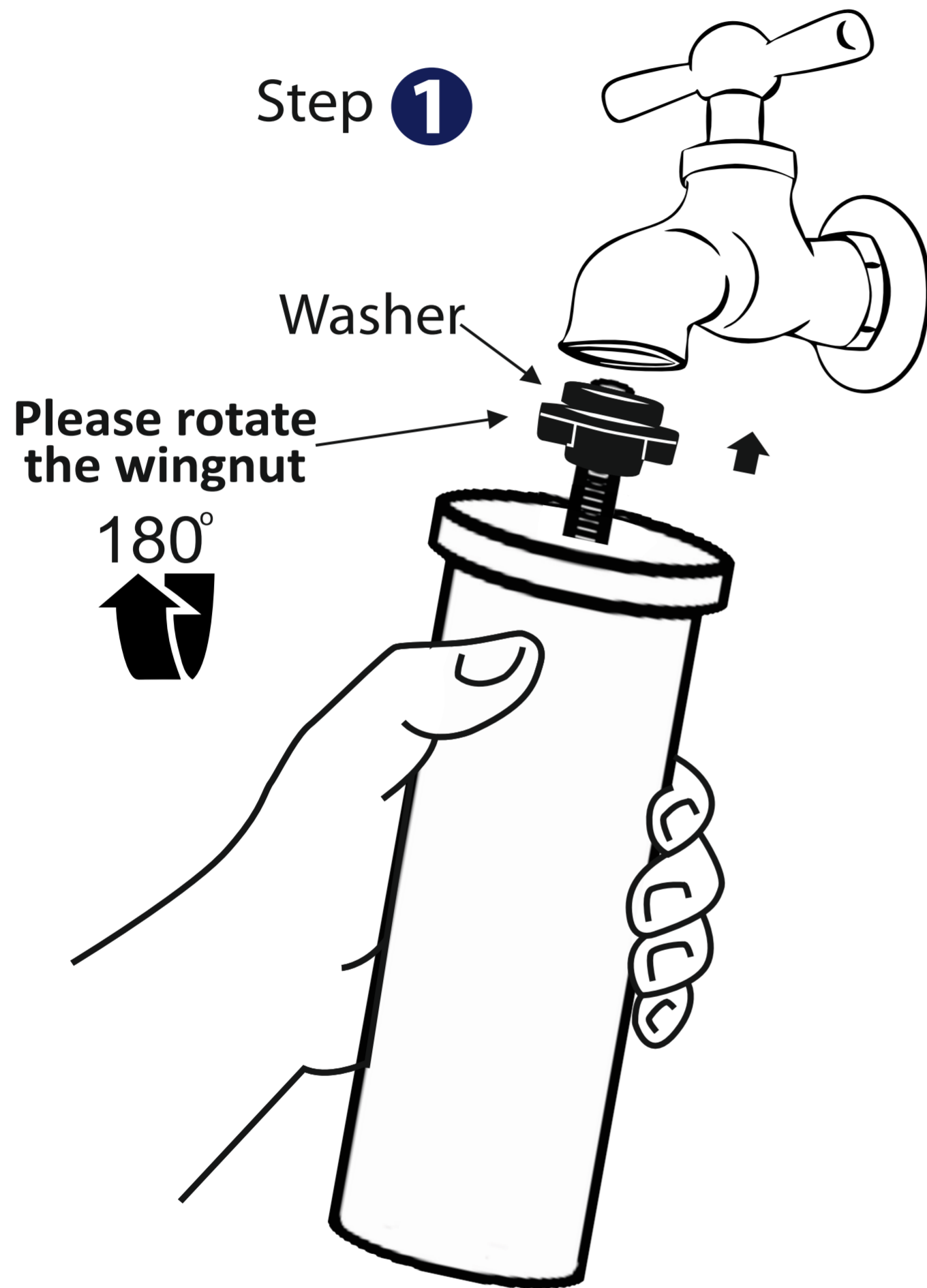
### **How to Prime:**

**Step 1** Screw the wing nut- flat face upwards- onto the filter thread and place a washer over it. Firmly press the washer flush against the a tap spout.

**Step 2** Turn on tap (cold water ONLY) to a slow flow- producing water beads on the surface. Hold in place for 2-3 minutes allow the cartridge to become fully saturated and flushed.

# Priming of Phoenix Gravity Carbon cartridges:

Step 1

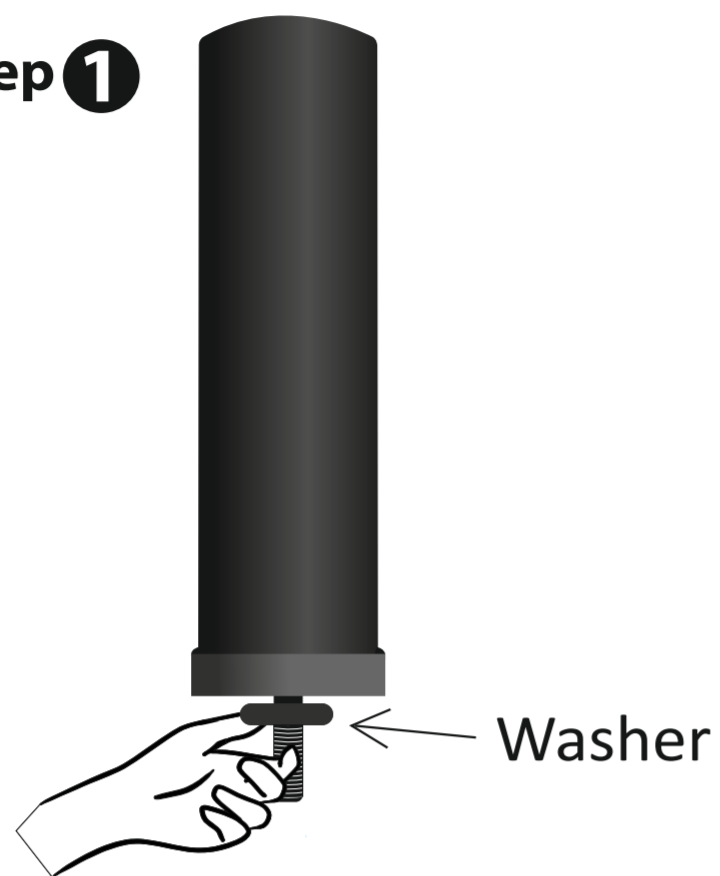


Step 2



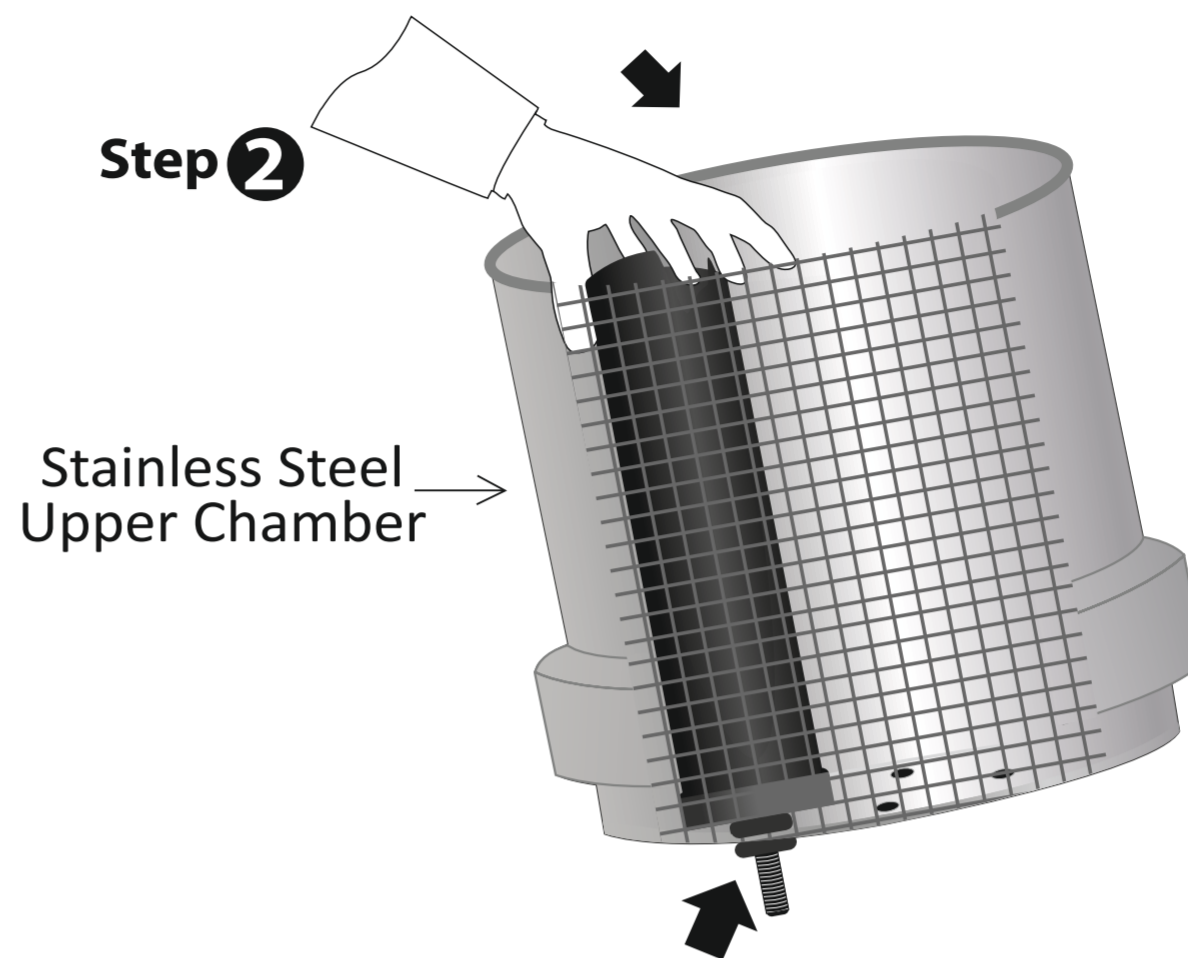
## Assembling into Phoenix Gravity Water Filter System:

Step 1



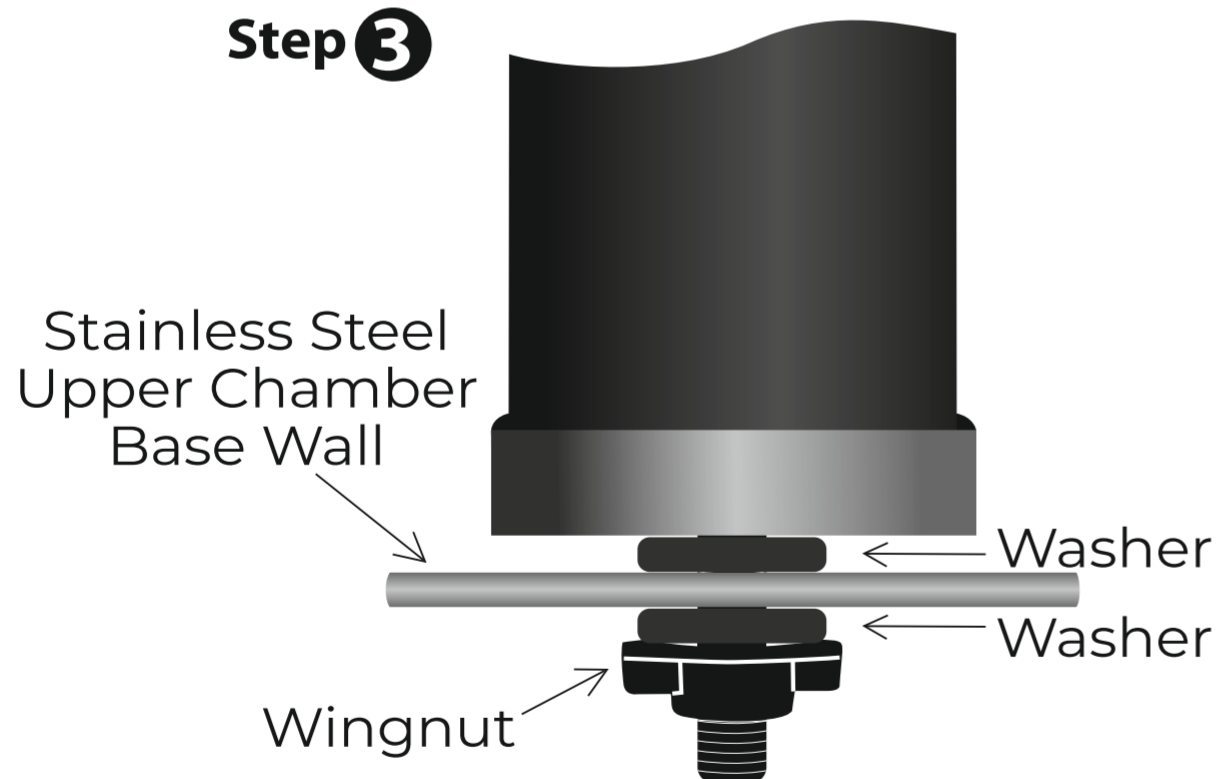
Push first washer along the thread of the carbon filter cartridge.

Step 2



Insert the cartridge thread through any free hole in the upper chamber. The washer should sit flush against base with thread exposed through hole.

Step 3

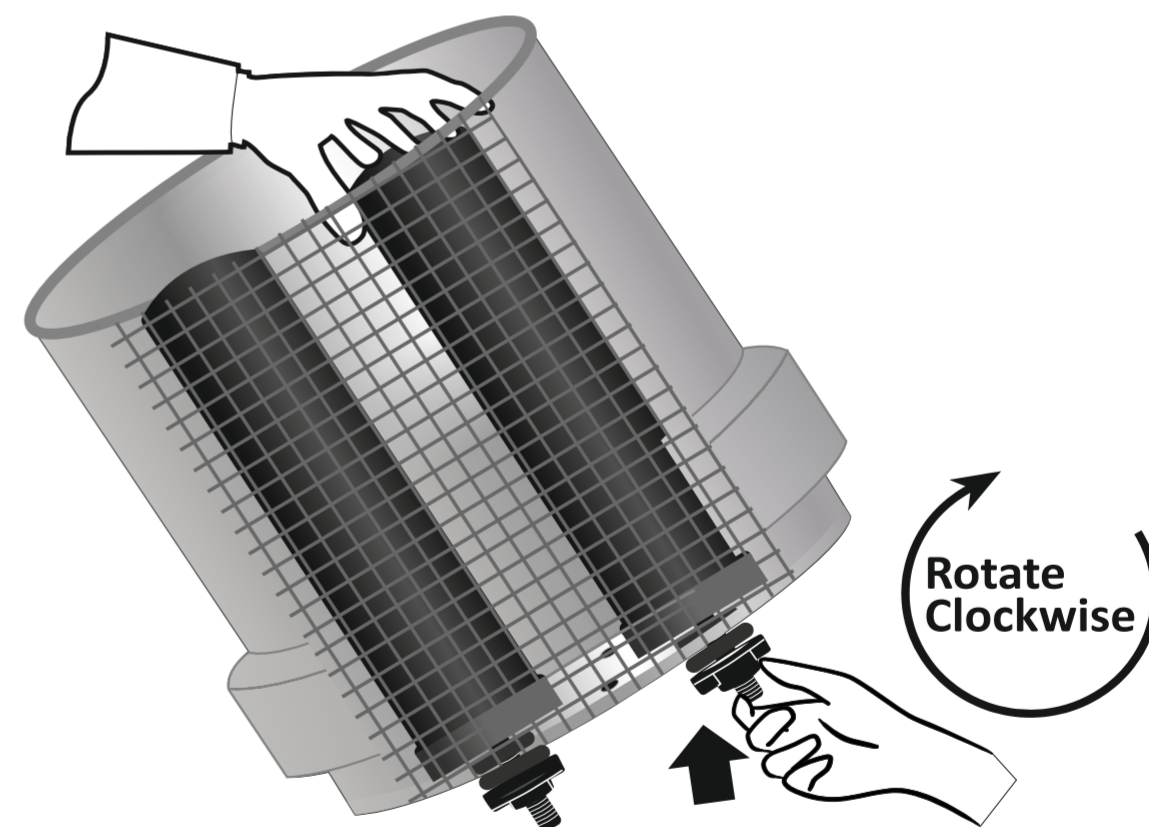


To the exposed thread slide on second washer to base. Securely screw on the wingnut snugly against washer.

**Important: Do not over-tighten**

Repeat for each cartridge.

Step 4



**Important:** Check seals to ensure proper water purification:

Each cartridge must have two washers fitted as indicated in Step 3.

All holes without cartridges must have a hole blockers. You're now ready to start filtering, see overleaf.

**Before use:** discard first two rounds of filtered water. If primed incorrectly, you may need to discard up to 4 rounds of filtered water- until it runs clear.

## **Maintenance**

After 3-12 months (usage dependant) your cartridge flow-rate may significantly reduce. This is completely normal- due to either clogging or drying out. Simply clean to restore flow-rate.

## **To Clean**

Remove unfiltered water from Upper Chamber to make sure none spills into Lower Chamber. Then remove filters. Lightly scrub each filter under running cold water using a soft brush or scourer. Always brush away from threaded mount to ensure it doesn't get contaminated.

Re-assemble the filters back into the Upper Chamber.

**DO NOT** use soap or detergents.

**A better way to drink water**



**PHOENIX**  
GRAVITY



**Lifespan** : up to 20,000 litres per pair.

**Replace** : every 18 months.

**Warranty** : 6 months for Phoenix Gravity Carbon Filter Cartridge.

**For details, T&Cs and further support:**

[phoenixwaterfilters.com](http://phoenixwaterfilters.com)