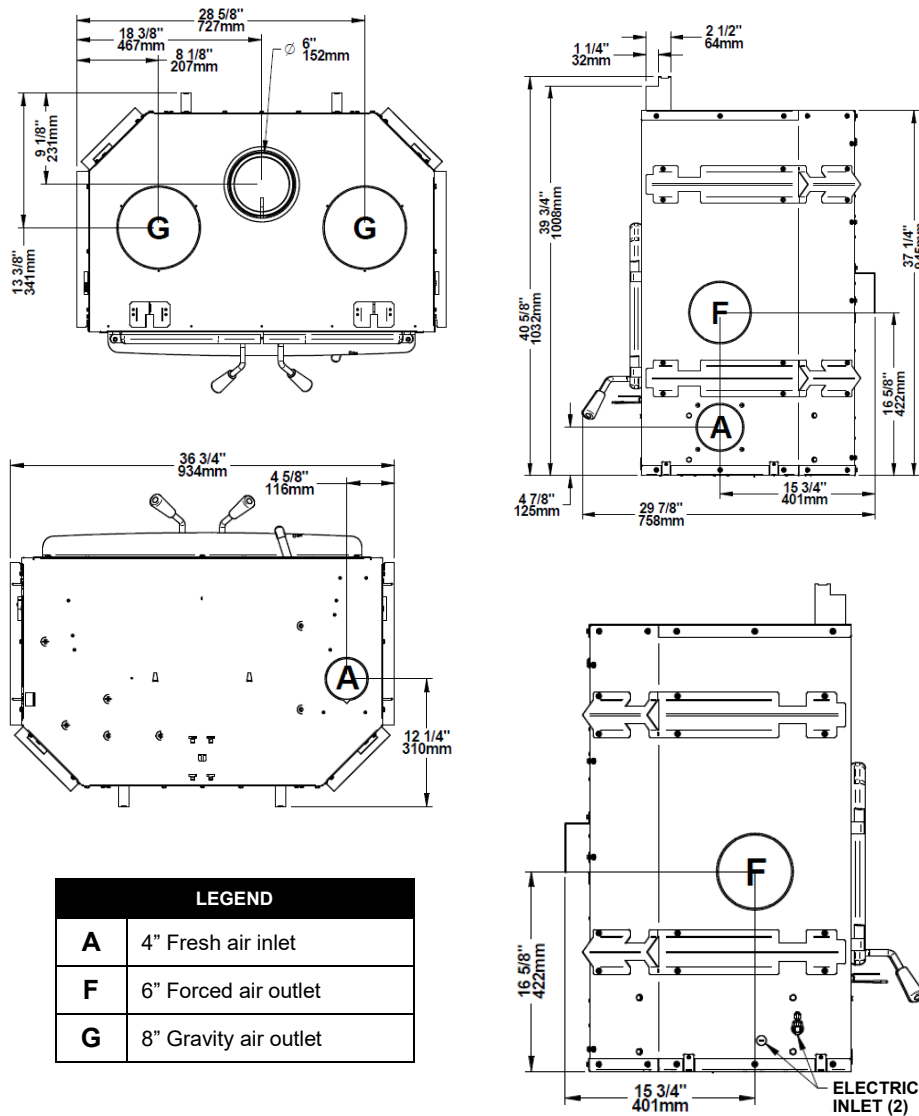


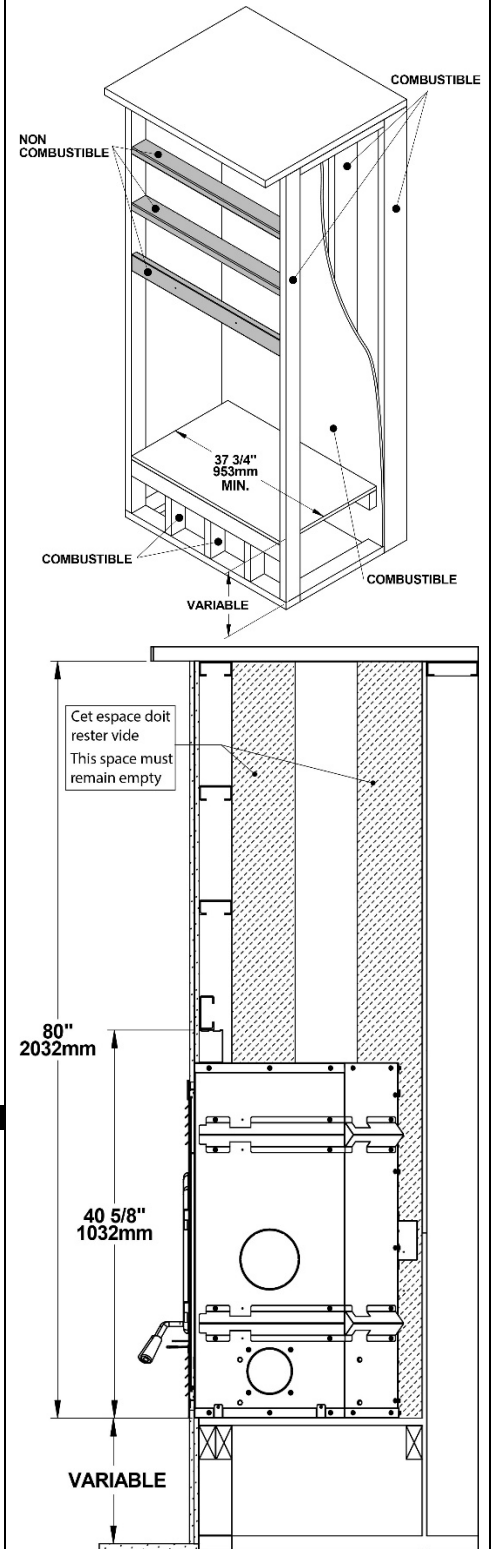


THIS QUICK REFERENCE PRODUCT SHEET IS NOT COMPLETE AND IS SUBJECT TO CHANGE WITHOUT NOTICE. ALWAYS REFER TO OWNER'S MANUAL ACCOMPANYING THE PRODUCT TO AVOID RISK OF FIRE AND INJURIES. ADDITIONAL INFORMATION CAN BE FOUND IN THE OWNER'S MANUAL ONLINE AT WWW.OSBURN-MFG.COM.

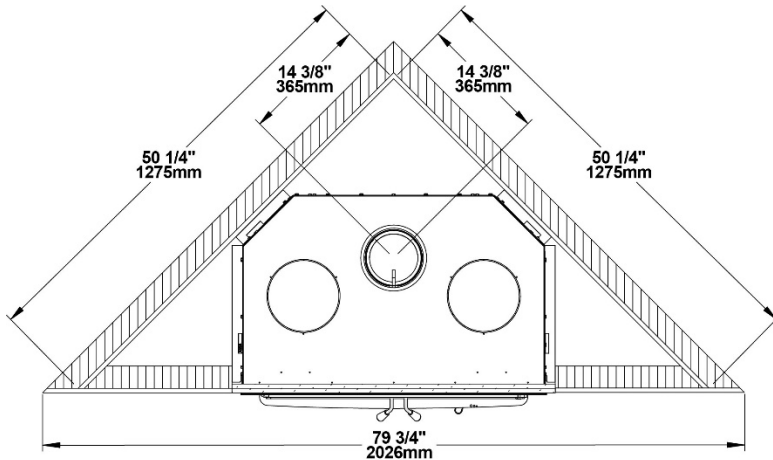
APPLIANCE DIMENSIONS



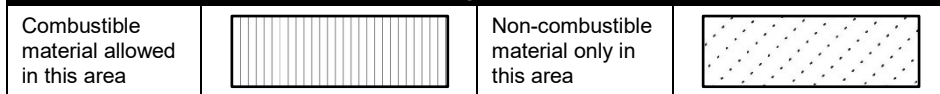
FRAMING DIMENSIONS



CORNER INSTALLATION



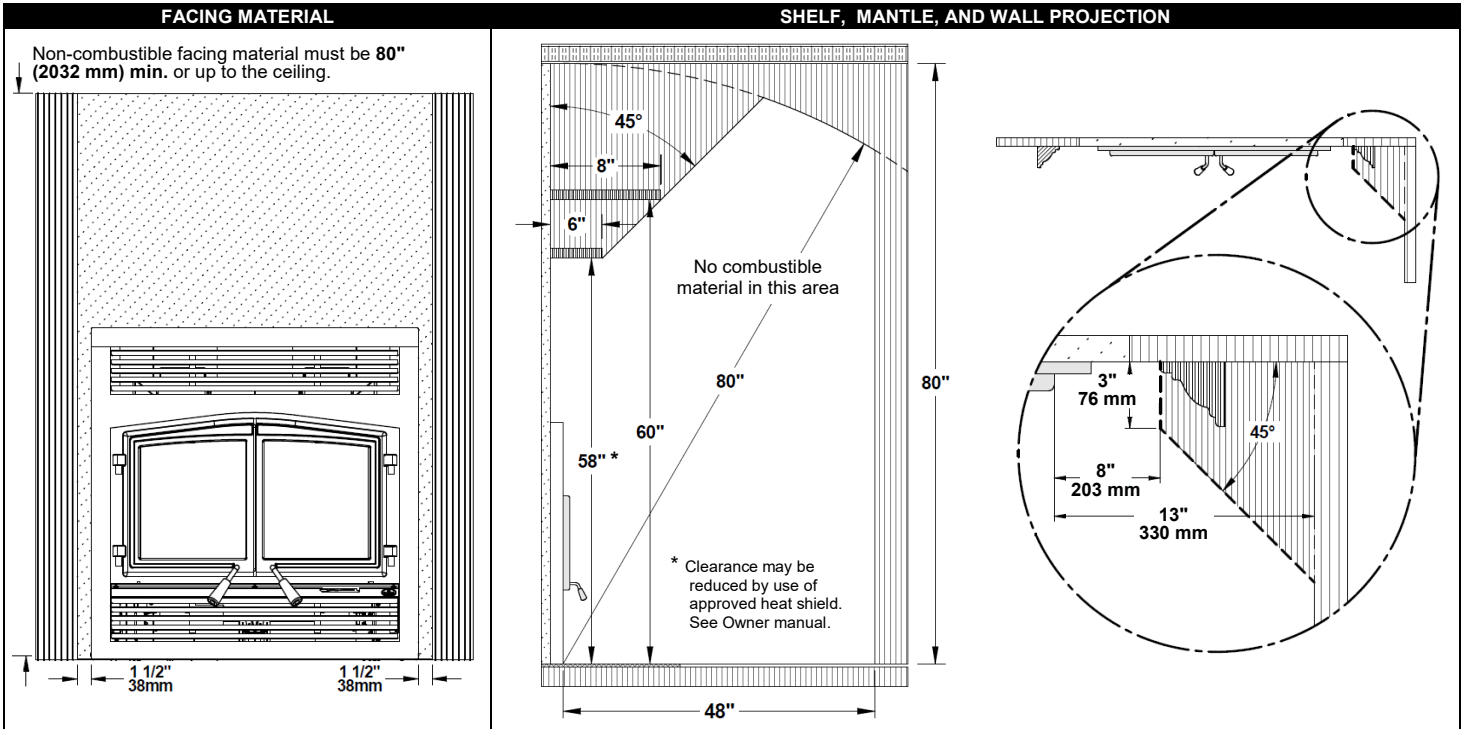
LEGEND



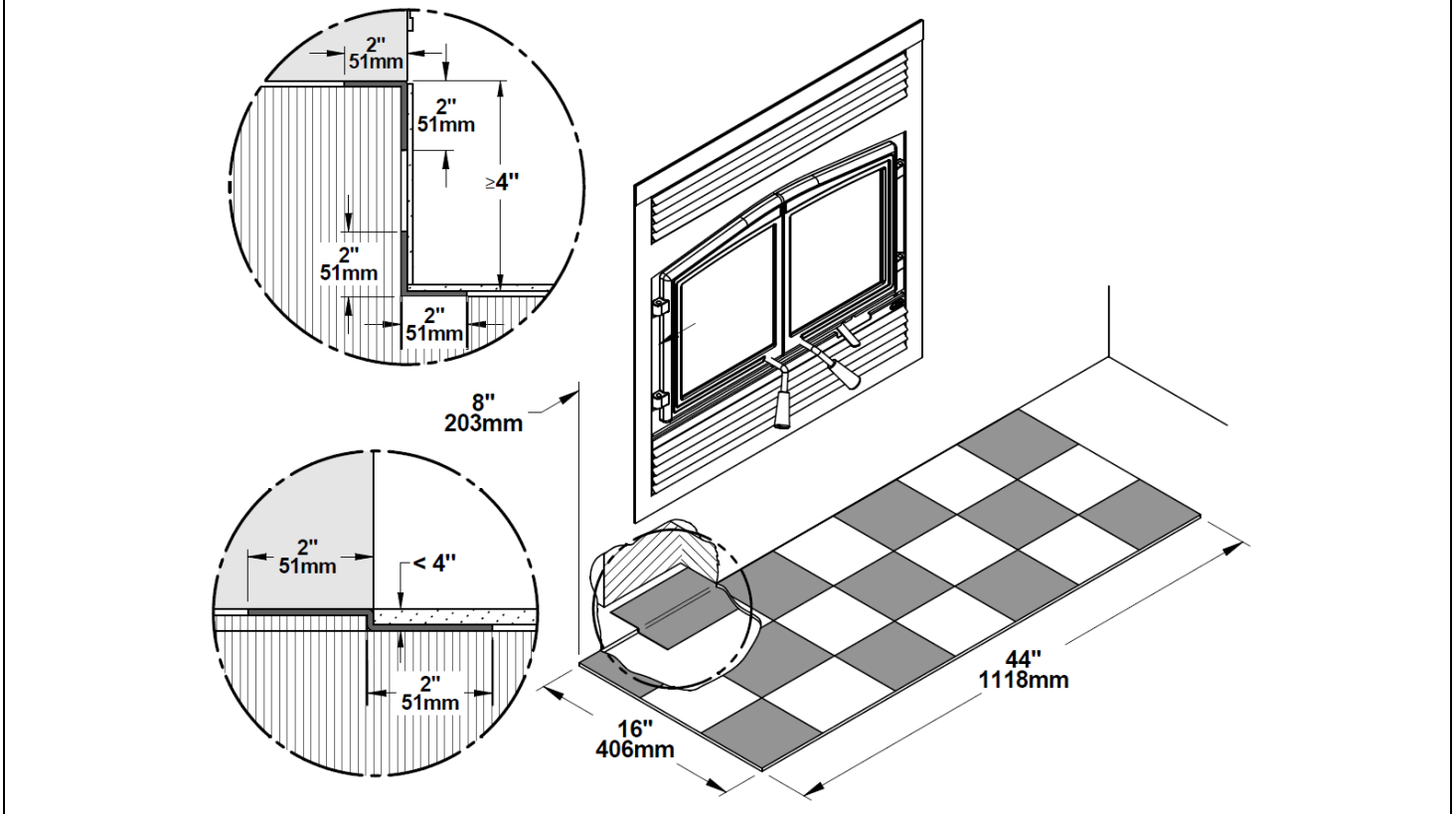
Where applicable, add 6" for fresh air pipe and/or 10" for forced air pipe to the width of the chase. When drywall panels or any other finishing material inside the chase around the fireplace is to be used, add its thickness to the measurement.



THIS QUICK REFERENCE PRODUCT SHEET IS NOT COMPLETE AND IS SUBJECT TO CHANGE WITHOUT NOTICE. ALWAYS REFER TO OWNER'S MANUAL ACCOMPANYING THE PRODUCT TO AVOID RISK OF FIRE AND INJURIES. ADDITIONAL INFORMATION CAN BE FOUND IN THE OWNER'S MANUAL ONLINE AT WWW.OSBURN-MFG.COM.



HEARTH EXTENSION CONSTRUCTION AND DIMENSIONS



*If fireplace is installed directly on the floor or on a raised base of less than 4", the hearth extension floor area must extend at least 16" (406 mm) in front of the fireplace with R-value equal to or greater than 1.00. Use 1/2" Micore or refer to manual for equivalent insulation.

| LEGEND | | | |
|---|--|--|--|
| Combustible material allowed in this area | | Non-combustible material only in this area | |