



Installation Manual

OUTBACK CHEF WOOD BURNING COOKSTOVE

(DB04800 Model)

ENGLISH
FRANÇAIS



Security test made according to regulations ULC S627 and UL 1482 by an accredited laboratory.

READ AND KEEP THIS MANUAL FOR REFERENCE

TABLE OF CONTENTS

General information	3
Cooking Stove General Features	3
Cookstove Dimensions	4
Regulations Governing the Installation of the Cookstove	5
Cooking Stove Positioning	5
Clearances to Combustible Materials	5
Floor Protection.....	7
Clearances Reduction to the Walls and the Ceiling	8
<i>Heat Shield Construction Rules</i>	8
Clearances for Shield Installation.....	9
The Exhaust System.....	10
General Information.....	10
Chimney Height.....	10
Suitable Chimneys.....	10
<i>Prefabricated Metal Chimney</i>	11
<i>Masonry Chimney</i>	11
Combustion Air Supply	12
Chimney Connector Installation	12
Single Wall Chimney Connector Installation	12
Before Using the Cookstove	14
<i>Cooking Surface Cover Installation</i>	14
<i>Handrail Installation</i>	14
<i>Exhaust Pipe Adapter Installation (Top)</i>	15
<i>Exhaust Pipe Adapter Installation (Back)</i>	15
Replacement Parts.....	16

GENERAL INFORMATION

Flue outlet diameter (top and back)	6 in (150 mm)
Chimney diameter	6 in (150 mm)
Type of chimney	UL 103 HT, ULC S629
Alcove installation	Not approved
Mobile home installation [‡]	Not approved
Shipping weight	248 kg (545 lb)
American standards (security)	UL 1482
Canadian standards (security)	ULC S627
Oven dimensions (W x D x H)	11 1/2" x 17 3/4" x 11 3/4" (290 mm x 450 mm x 300 mm)

[‡]Mobile home (Canada) or prefabricated home (USA): The US department of Housing and urban development describes "prefabricated homes" better known as "mobile homes" as follows; constructed buildings on fixed wheels and those transported on temporary wheels/axles installed on a permanent foundation. In Canada, a mobile home is a dwelling which the assembly of each component is done or mostly done before moving it to

a location where it will be placed on foundations and connected to service facilities that meet the standards CAN/CSA-Z240 MH.

Cooking Stove General Features

Read this manual completely before installing the cooking stove. It is important to fully respect the installation instructions. If the cooking stove is not correctly installed, it could result in a fire, body injuries or even death.

The information listed on the cooking stove name plate always takes precedence on the information found in any other published media (manuals, catalogs, flyers, magazines and web sites).

It is recommended to communicate with the municipal building department or municipal fire department in your area before the installation of the cooking stove and its chimney since a permit could be required.

The installation of this cooking stove should be done by professionals certified, in the United States by the NFI (National Fireplace Institute) or in Canada by WETT (Wood Energy Technology Transfer) or in the province of Quebec by the APC (Association des professionnels du chauffage).

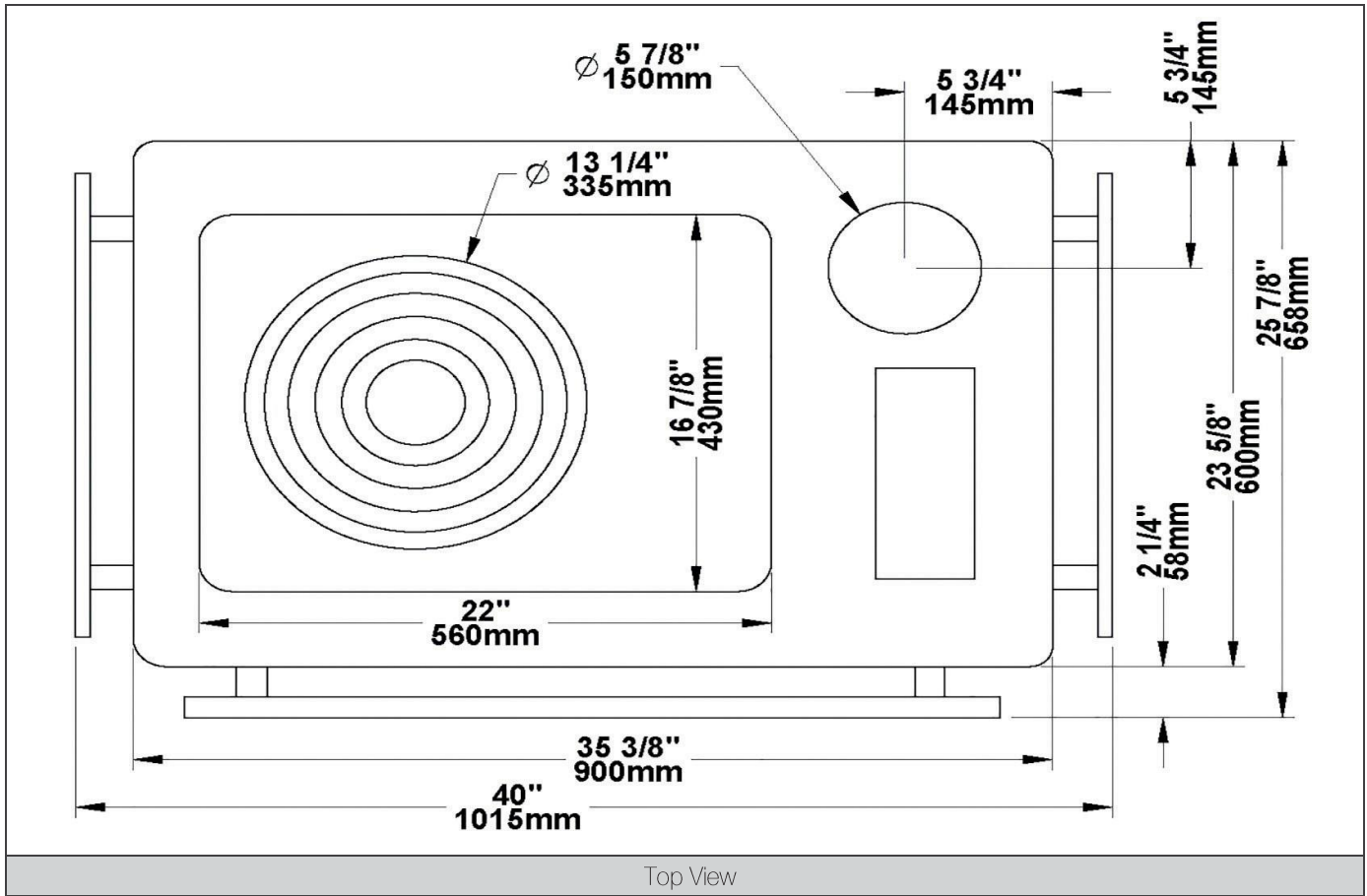
Mixing components from various sources or modify elements of the cooking stove can create some dangerous situations. Any modifications of the cooking stove that has not been approved in writing by the approval authority of the manufacturer, violates the standards CSA B365 (Canada) and NFPA 211 (USA).

DO NOT CONNECT TO A SYSTEM OR TO AN AIR DISTRIBUTION DUCT UNLESS IT IS SPECIFICALLY APPROVED FOR SUCH INSTALLATION.

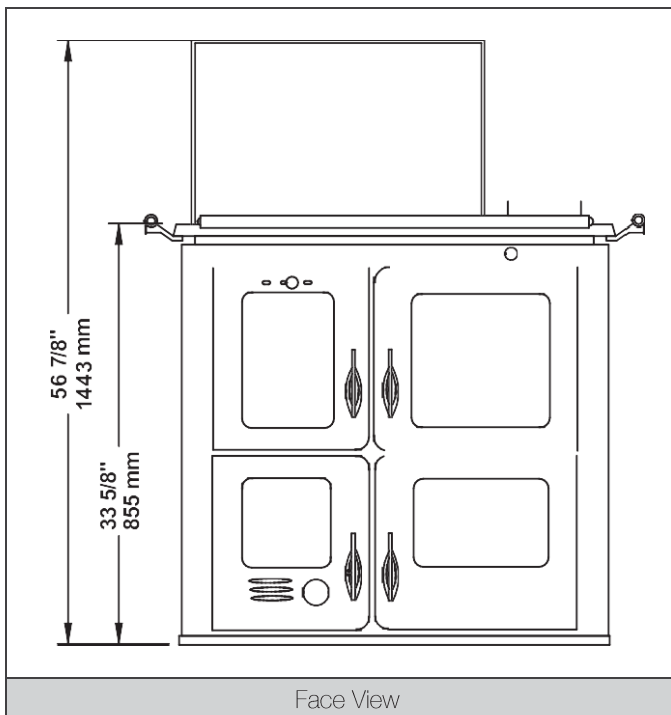
THIS COOKING STOVE IS NOT APPROVED FOR AN INSTALLATION IN A MOBILE HOME NEITHER FOR AN INSTALLATION IN AN ALCOVE.

SBI -Stove Builders International inc. do not assume any implicit or explicit warranty related to the bad installation of the appliance and does not assume any responsibility for any damage that would therefore occur.

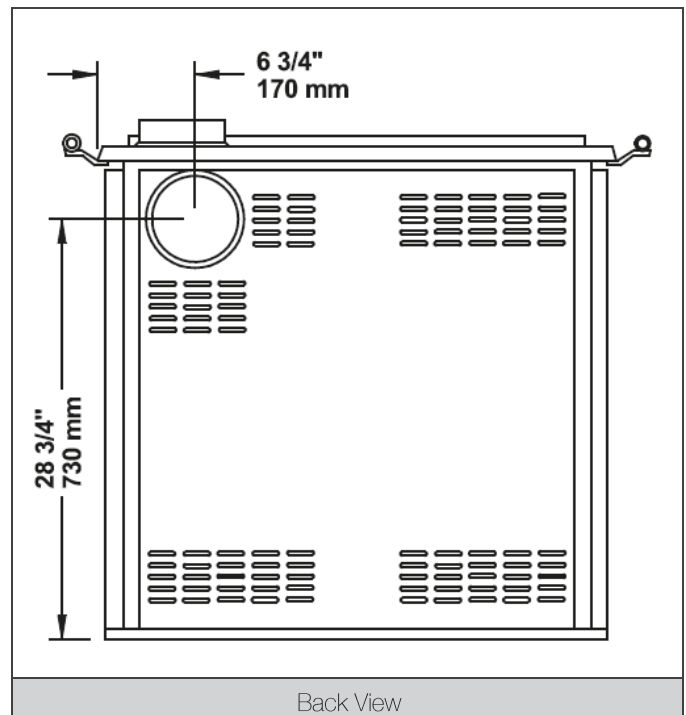
Cookstove Dimensions



Top View



Face View



Back View

ENGLISH

Regulations Governing the Installation of the Cookstove

In Canada, you must comply with the CSA B365 Installation code for solid-fuel-burning appliances and equipment and the CSA C22.1 Canadian electrical code in the absence of local codes.

In the United States, you must comply with the NFPA 211 Standard for Chimneys, Fireplaces, Vents and Solid Fuel-Burning Appliances and the NFPA 70 National Electrical code in the absence of local codes.

This cooking stove must be connected to a chimney complying with the requirements of the type HT chimneys in the standards for prefabricated residential chimneys and home heating appliances, UL 103 HT and ULC S629 or to a masonry chimney approved according to the codes with a stainless steel chimney liner.

DO NOT CONNECT THIS APPLIANCE TO ANY OTHER EXISTING VENTING SYSTEM SERVING ANOTHER APPLIANCE.

Cooking Stove Positioning

Choose a location to avoid the chimney to conflict with the floor joists, the roof trusses, the studs, the water pipes, the electric wires, and that allows the least possible deviations in the chimney.

The location of the cooking stove must allow enough room for its maintenance and the exhaust system.

This cooking stove weighs approximately 227 kg (500 lb). To validate the installation of additional floor joist, consult the local building code.

CLEARANCES TO COMBUSTIBLE MATERIALS

The clearances given in this section have been established following test results in accordance with the procedures described in the standards ULC S627 (Canada) and UL 1482 (USA). When this cooking stove is installed respecting the indicated minimum clearances or more, the flammable surfaces will not overheat during normal or even abnormal usage.

None of the cooking stove parts or smoke pipe can be installed closer to the combustible materials than the minimum clearances indicated.

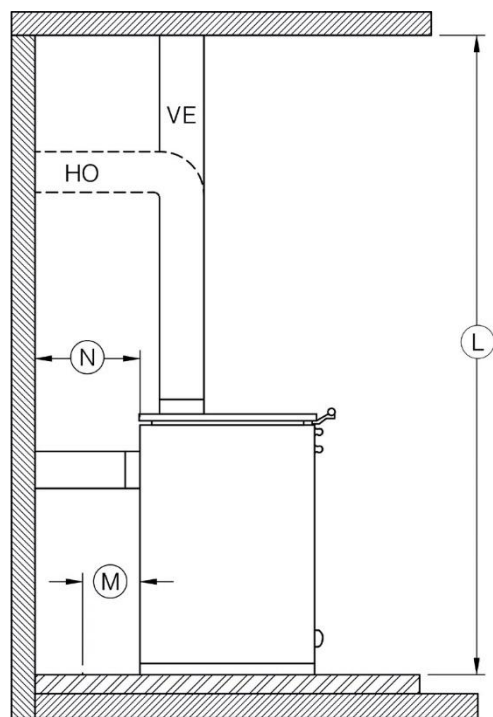
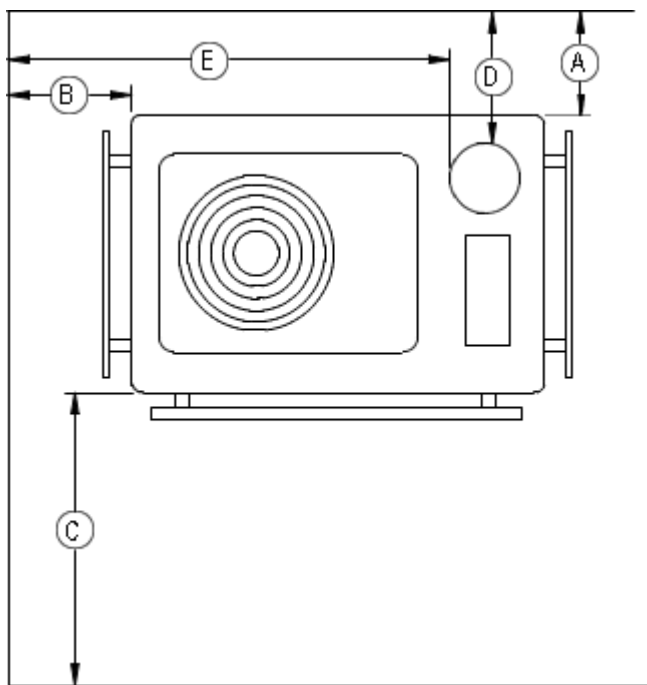
The clearances to the combustible walls can differ slightly between Canada and the United States and can also vary depending on the use of a single wall or double wall smoke pipe. Make sure to use the proper clearances for the location and the type of pipe.

Appliance clearances with or without lid (double wall pipe)		
	CANADA	USA
A	15" (381 mm)	11" (279 mm)
B	9" (229 mm)	9" (229 mm)
C	48" (1219 mm)	36" (914 mm)
L	84" (2134 mm)	84" (2134 mm)

Appliance clearances without lid (double wall pipe)		
	CANADA	USA
A	14" (356 mm)	11" (279 mm)
B	9" (229 mm)	9" (229 mm)
C	48" (1219 mm)	36" (914 mm)
L	84" (2134 mm)	84" (2134 mm)

Appliance clearances with lid (double wall pipe)		
	CANADA	USA
A	7" (178 mm)	7" (178 mm)
B	9" (229 mm)	9" (229 mm)
C	48" (1219 mm)	36" (914 mm)
L	84" (2134 mm)	84" (2134 mm)

Appliance clearances with lid and heat shield screen (double wall pipe)		
	CANADA	USA
A	3" (76 mm)	3" (76 mm)
B	5" (127 mm)	5" (127 mm)
C	48" (1219 mm)	36" (914 mm)
L	84" (2134 mm)	84" (2134 mm)



Pipe connector distance* (single wall pipe)		
	CANADA	USA
D	18" (457 mm)	14" (356 mm)
E	35 1/2" (902 mm)	35 1/2" (902 mm)

Pipe connector distance* (double wall pipe)		
	CANADA	USA
A	17" (432 mm)	14" (356 mm)
B	35 1/2" (902 mm)	35 1/2" (902 mm)

*Note that the appliance clearances and the pipe distances must be met individually. It is, however, possible to reduce the appliance clearances by using a heat shield screen. The clearance for a single wall pipe is 18". For the clearance of a double wall certified pipe, refer to the pipe manufacturer's approval plate.

Floor Protection

This cookstove is designed to prevent the floor from overheating. However, it should always be installed on a nonflammable surface to protect the floor from the hot embers that could fall on the floor while you are loading or maintaining the cooking stove.

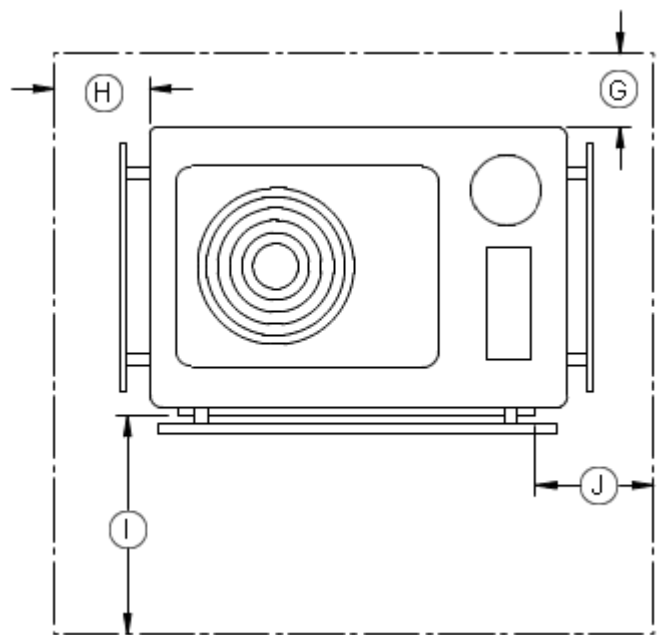
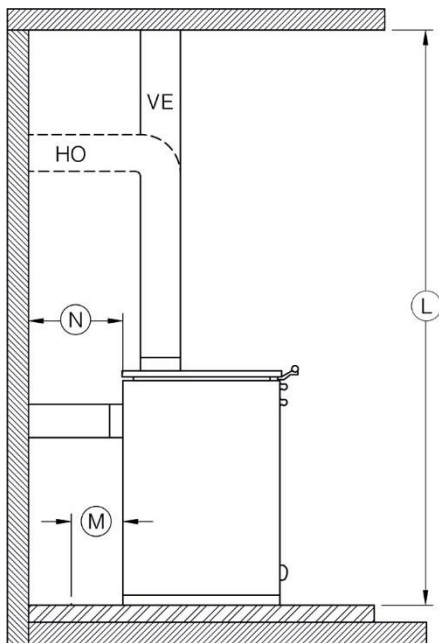
The cooking stove must be installed on a continuous non-combustible surface such as ceramic*, a concrete panel, brick or any other equivalent material approved for floor protection. No «R» factor is required for the floor protection.

*Ceramic must be installed on a continuous non-combustible panel to avoid contact with the floor through cracks or lack of ceramic grout. Check your local code for any approved alternatives.

	Floor Protection	
	CANADA	USA
G¹	8" (203 mm)	N/A
H	8" (203 mm)	N/A
I	18" (457 mm)	16" (406 mm)
J	N/AP	8" (203 mm)
N	N/AP	2
M	8" (203 mm)	N/A

¹The floor protection is limited to the back clearance (A) if it is less than 8" (203 mm).

²Only required under the connector horizontal section (H0). Must exceed at least 2" (51 mm) on each side of the connector.



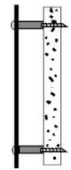
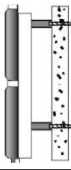
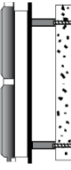
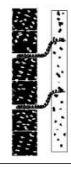

Clearances Reduction to the Walls and the Ceiling

It is often desirable to reduce the minimum clearances of installations by placing the appliance closer to the walls to use less floor space. It is possible to securely reduce the minimum clearances by permanently installing a heat shield between the appliance and the combustible material. The rules applying to heat shields are sometimes complicated. These rules should be read and carefully followed. Note that there could be slight regional differences in the clearance reduction rules. Check with a building or fire inspector before starting.

Heat Shield Construction Rules

- Adhesives used in the shield construction must not inflame nor lose their adhesive properties to the temperature that will be reached.
- The assembly hardware must allow a complete vertical ventilation.
- The assembly hardware that penetrates in the combustible material from the screen surface can only be used on the edges of the screen.

Clearances Reduction Percentages Table

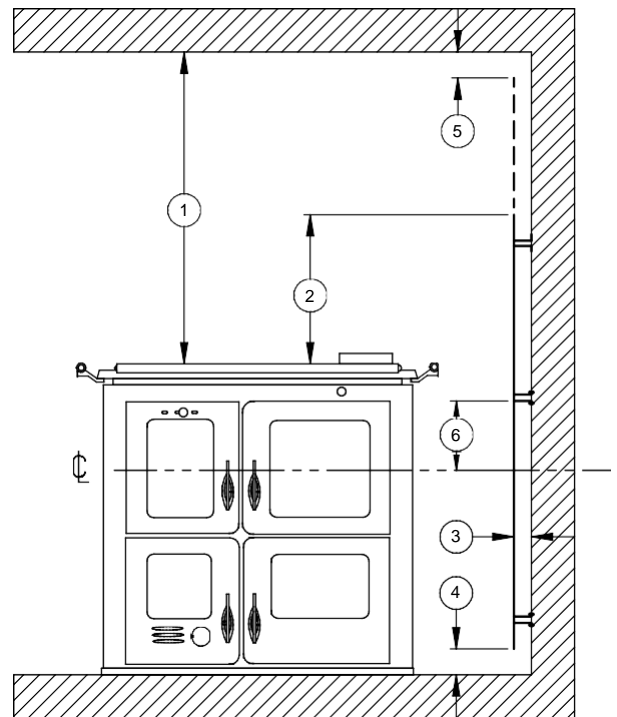
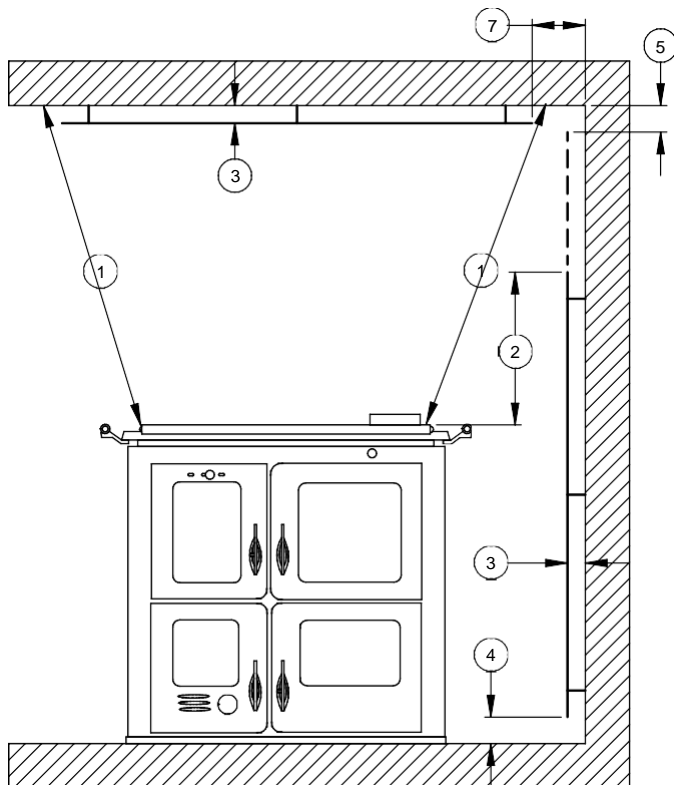
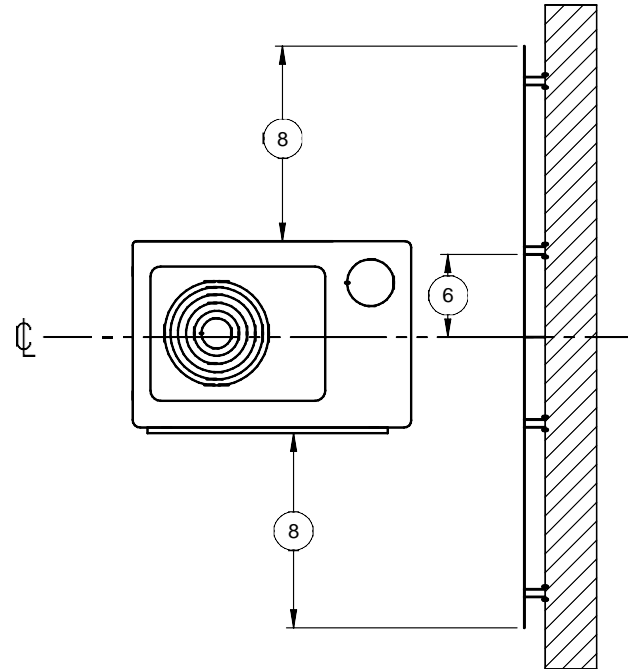
Screen types	Clearances reduction percentages allowed				
	Sides and back		Top (ceiling)		
	Can/USA (%)	USA min.	Can/USA (%)	USA min.	
Sheet metal, thickness 24 ga minimum (0.61mm) spaced from the wall at least 25 mm (1 in)* by non combustible spacers.	67	12"	50	18"	
Ceramic tiles or from a non combustible equivalent material placed on a non combustible panel spaced from the wall at least 25 mm (1 in)* by non combustible spacers.	50	18"	33	24"	
Ceramic tiles or from a non combustible equivalent material placed on non combustible panels covered with sheet metal at least 24 ga (0.61mm) thick spaced from the wall at least 25 mm (1 in)* by non combustible spacers.	67	12"	50	24"	
Brick, spaced from the wall at least 25 mm (1 in)* by non combustible spacers.	50	18"	N/A	N/A	
Brick, in front of a sheet metal with a thickness at least 24 ga (0.61 mm), spaced from the wall at least 25 mm (1 in)* by non combustible spacers.	67	12"	N/A	N/A	

* In Canada this space can be 21 mm (7/8")

Clearances for Shield Installation

ENGLISH

1	Minimum clearance between the top of the appliance and the unprotected ceiling	1270 mm (50")
2	Shield extension above appliance	500 mm (20")
3	Minimum space behind the shield	USA 25 mm (1") Can. 21 mm (7/8")
4	Clearance at the bottom of the screen	USA 25 mm (1") Can. min. 25 mm (1") max 76 mm (3")
5	Minimum clearance from the top of the screen to the ceiling:	76 mm (3")
6	The assembly hardware must not be located at less than 200 mm (8") from the combustion chamber central axis.	
7	Screen edges clearances from the side and back walls for ceiling screen	75 mm (3")
8	Screen overtaking beyond the sides of the appliance	450 mm (18")



THE EXHAUST SYSTEM

General Information

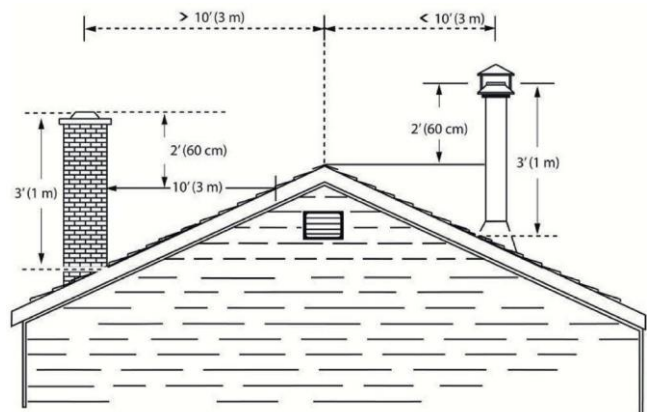
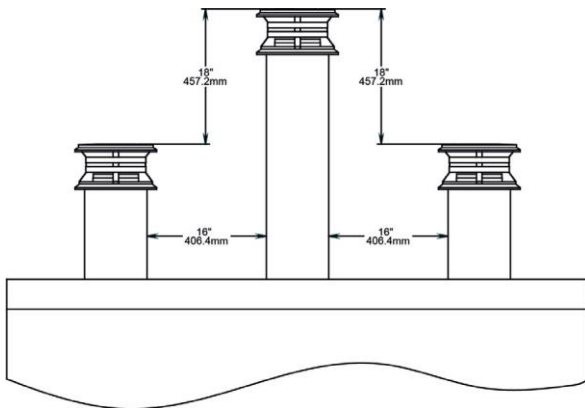
The exhaust system, consisting of the chimney and the pipe that connects the cooking stove to the chimney, acts as the engine that drives the wood heating system. Even the best appliance will not work as securely and adequately as expected if it is not connected to an adequate chimney.

The heat contained in the exhaust gas, which goes from the cooking stove to the chimney connector, then to the chimney, is not lost heat. The chimney uses that heat to create the draft that draws the combustion air, keep the smoke in the appliance and evacuate the gas securely toward open air. You can consider the heat contained in the exhaust gas as the combustible that the chimney uses to create the draft.

Chimney Height

The chimney extremity must be high enough to overcome air turbulence caused by the wind against the house and the roof. The chimney must exceed by at least 1 meter (3 ft.) its highest exit point from the roof and by at least 60 cm (2 ft.) for any part of the roof or any obstacle located at a horizontal distance of at least 3 m (10 ft.).

ENGLISH

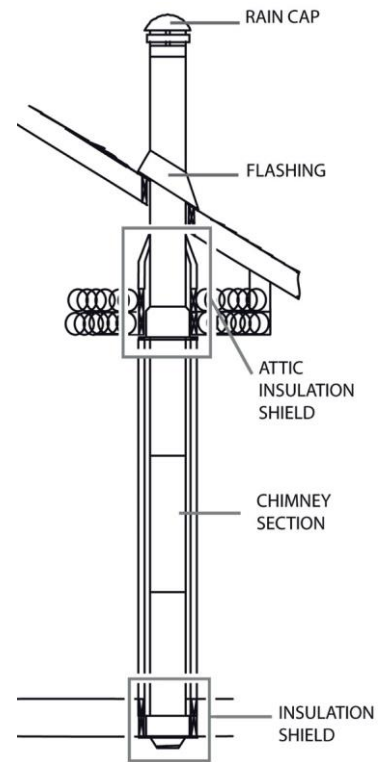


Suitable Chimneys

To be suitable, a prefabricated metal chimney must follow the standards UL 103 HT (USA) or ULC S629 (Canada). Furthermore, this wood burning cooking stove has a performance and optimal efficiency when it is connected to a 6" chimney flue.

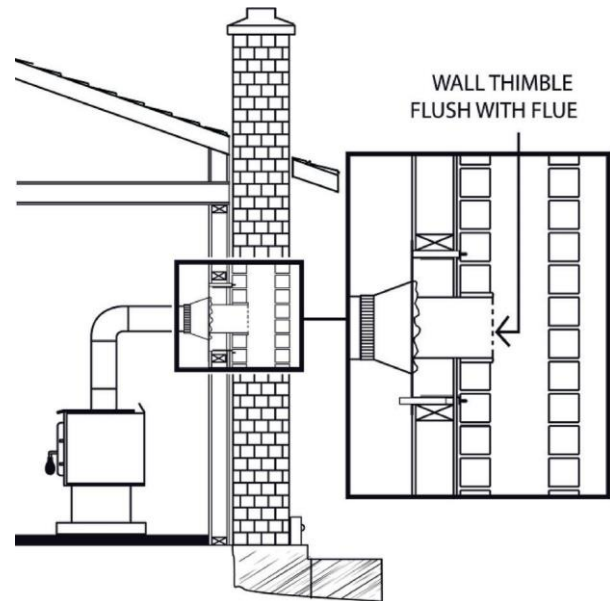
Prefabricated Metal Chimney

These chimneys are often called «high temperature» chimneys because they have special characteristics to support temperatures that can be generated by wood appliances. The prefabricated chimneys are tested as a system with all the necessary elements for the installation. To be secure and efficient, the chimney must be installed according to the manufacturer's exact instructions. Use only elements made for the brand and model of your chimney. Never replace elements with other coming from different chimney brands and never make your own.



Masonry Chimney

The cooking stove can also be connected to a masonry chimney, if the chimney is complying with the construction rules in the local building code. The chimney must have a clay liner or a suitable stainless steel liner. If the masonry chimney has a square or rectangular liner with a transversal surface bigger than a 6 in diameter round chimney, a suitable stainless steel liner must be inserted. Do not downsize the flue to fewer than 6 in. When going through a combustible wall, an approved listed thimble is mandatory.



COMBUSTION AIR SUPPLY

When the cookstove and the chimney are completely cold, it may be necessary before starting up, to provide an external air supply by opening a door or a window for a short period. A house constructed or renovated in a waterproof manner is prone to not having the air exchange required for the proper functioning of a wood heating appliance.

In that case, avoid, during startups, to use appliances that evacuate air outside of the house, such as:

- Cooking stove hood
- Bathroom vent
- Air exchange system
- Ventilated central vacuum cleaner
- Dryer

The supply of fresh combustion air can be done in several ways, provided they comply with Chapter 5 of CSA B365.

It is recommended to have an outdoor air inlet installed with a minimum 4" diameter in or near the room where the heating appliance is installed. To do this, it is better to choose a wall that is not exposed to the prevailing winds, depending on the surrounding conditions of the house. The air cannot be coming from a garage or storage room containing combustible materials.

The outdoor air must be routed through a duct no more than 300 mm (12") away from the appliance, in order not to interfere with its operation. A watertight mechanical valve will close the air inlet when the cooking stove is not used. Protection against rodents must be installed on external edge.

CHIMNEY CONNECTOR INSTALLATION

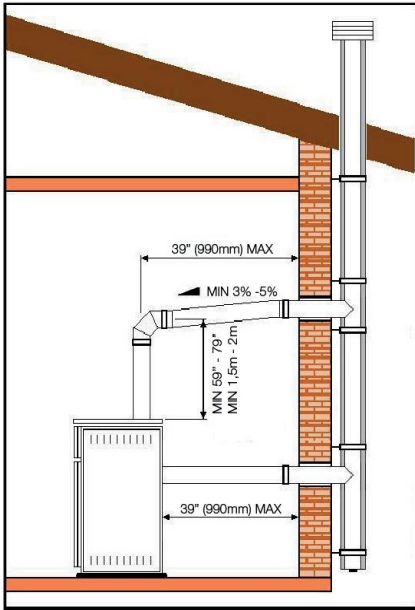
The chimney connector is the single or double wall pipe, installed between the cooking stove and the chimney. The components of the single wall pipe are sold in most hardware or construction supply stores. These sections usually do not go through testing so as to comply with a precise standard and are not approved. Consequently, several rules found in the hard-combustible heating appliance installation codes are applied to the installation of the single wall pipe.

The double wall chimney connectors have gone through testing and are approved. The rules for double wall pipes are found in the manufacturer's installation guide. These rules are very different from those of the single wall pipes.

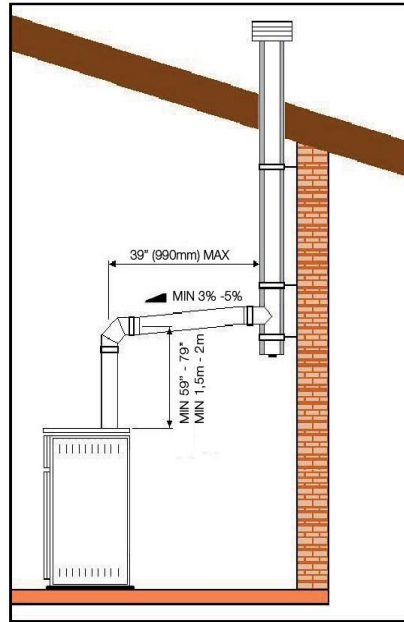
Single Wall Chimney Connector Installation

The entire chimney connector has been called "the weak link" in the security of the wood heating system because if the connector is not properly installed, it can provoke a fire.

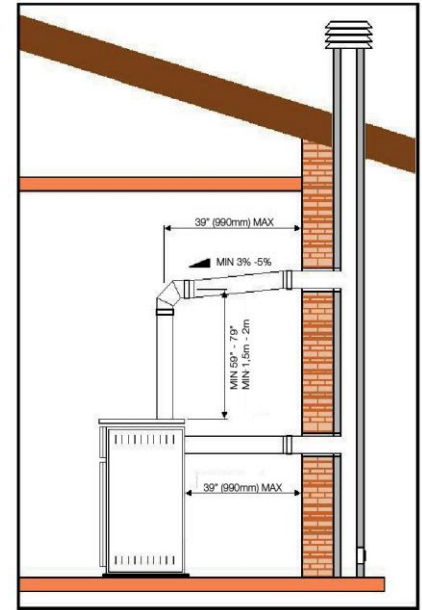
The best smoke pipe installation goes straight from the cooking stove to the base of the chimney with no elbow. Straight installation will cause fewer problems such as smoke returns when the door is open to reload the appliance. They are also more stable and easier to maintain than the installation with elbows. Avoid as much as possible horizontal smoke pipes sections because they reduce the chimney draft and are more conducive to creosote accumulation.



Vertical or horizontal
installation, prefabricated
exterior chimney



Vertical installation,
prefabricated interior chimney



Vertical or horizontal
installation, masonry exterior
chimney

The rules below are based on the rules found in the installation code CSA B365. It is imperative to carefully follow these installation instructions or those of the local code.

- An ideal pipe installation is the one that goes straight from the cooking stove directly into the chimney, without elbows. A straight installation requires either a telescopic section or a coupling pipe so it can be mounted or dismantled without having to move the cookstove. A straight pipe installation offers the minimum amount of restriction to the exhaust of the smoke and gives a better draft. Straight installation also need less maintenance because there are no angles where creosote can be deposited.
- The maximum length of the horizontal pipe is 3m (10 ft.) including the elbows.
- The minimum clearance in relation to combustible materials is: 450 mm (18"). The minimum clearance can be reduced if an appropriate heat shield is installed. See the heat shield installation instructions for more details.
- The pipe between the cooking stove and the chimney must be as short and straight as possible. It is often better to use two 45o elbows instead of one 90o elbow.
- The maximum number of 90o elbows is two.
- The maximum horizontal length is 1m (3 ft.)
- Galvanized smoke pipes must not be used because their coating vaporizes itself at high temperature and produces dangerous gas. Use black smoke pipes.
- Flue pipes must have a thickness of at least 24 ga.
- Flue pipe connectors must overlap at least 30 mm (1 ¼")
- Each installation connector must be fixed with at least three screws.
- The installation must be able to expand: the installation elbows allow expansion; straight installations must have a coupling pipe with an extremity without attachment or with a telescopic section.

- Minimum upward slope toward the chimney: 20 mm/m (¼" per foot)
- One of the installation extremities must be firmly fixed to the cookstove nozzle with three metal screws and the other extremity firmly fixed to the chimney.
- It must be possible to clean the pipes either by a glance or by removing the pipes. The removal of the pipes must not require moving the cooking stove.
- The male parts of the pipe sections must be toward the appliance, so the ashes and the condensation stay inside the pipe.
- A flue pipe must never pass through a flammable floor or ceiling or go through an attic, a false ceiling, a cupboard or concealed space.
- When passage through a combustible wall or partition is desired, the installation must comply with CSA B365, installation code for solid fuel appliances and associated equipment.
- The chimney connector must be in good condition.

BEFORE USING THE COOKSTOVE

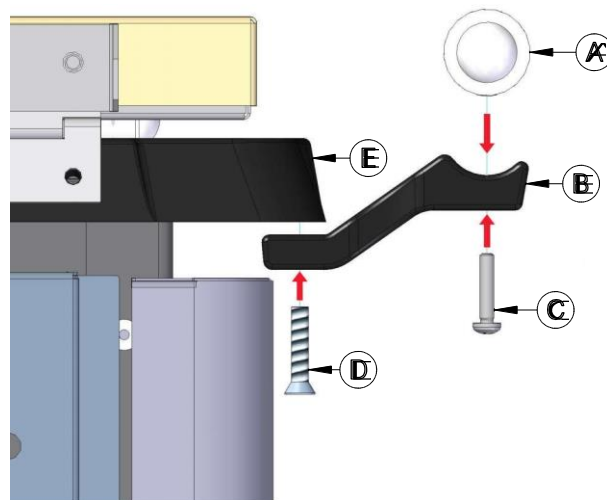
Cooking Surface Cover Installation

Install the cooking surface cover included with the cookstove before using it.

Handrail Installation

The cookstove's handrails are not installed at the time of purchase. Therefore, you will have to install them by following the steps below.

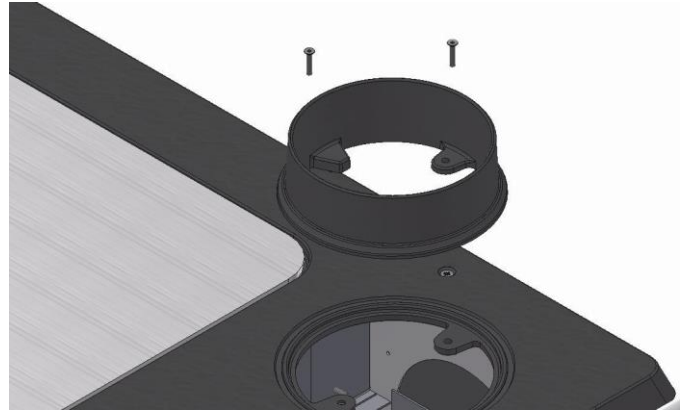
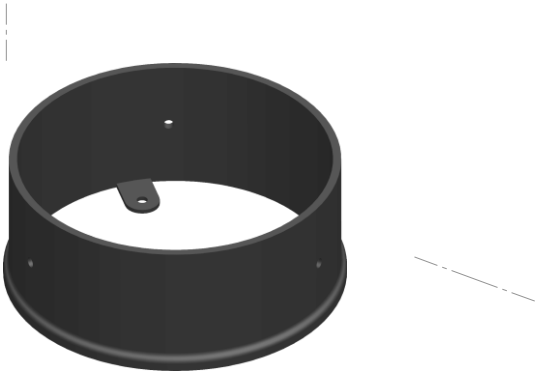
1. Unscrew the handrail's support screws **(D)**, already on the cookstove plate **(E)**.
2. Fix the two supports **(B)** on the handrail **(A)** and fix them with the included screws **(C)**.
3. Pay attention to the positioning direction of the supports.
4. Position the brackets so that they are facing each other with the holes in the cooking stove plate.
5. Fix the handrail on the cookstove plate **(E)** with the screws **(D)** included.



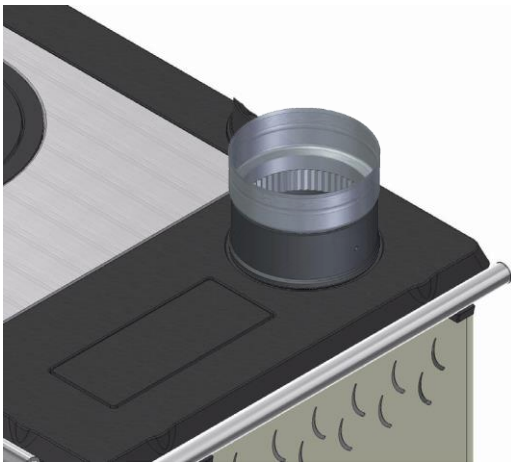
Exhaust Pipe Adapter Installation (Top)

1. Remove the exhaust pipe adapter from the cooking stove. Drill 3 holes at equal distance on adaptor with the 3/16 drill bit included. These holes will be used to secure the chimney adapter.
2. Secure with two screws provided with the cooking stove to the existing exhaust outlet.

ENGLISH



3. Install the pipe adapter and secure it with the three screws included with the adapter. Align the adapter so that two holes are aligned toward the front and one hole at the back.

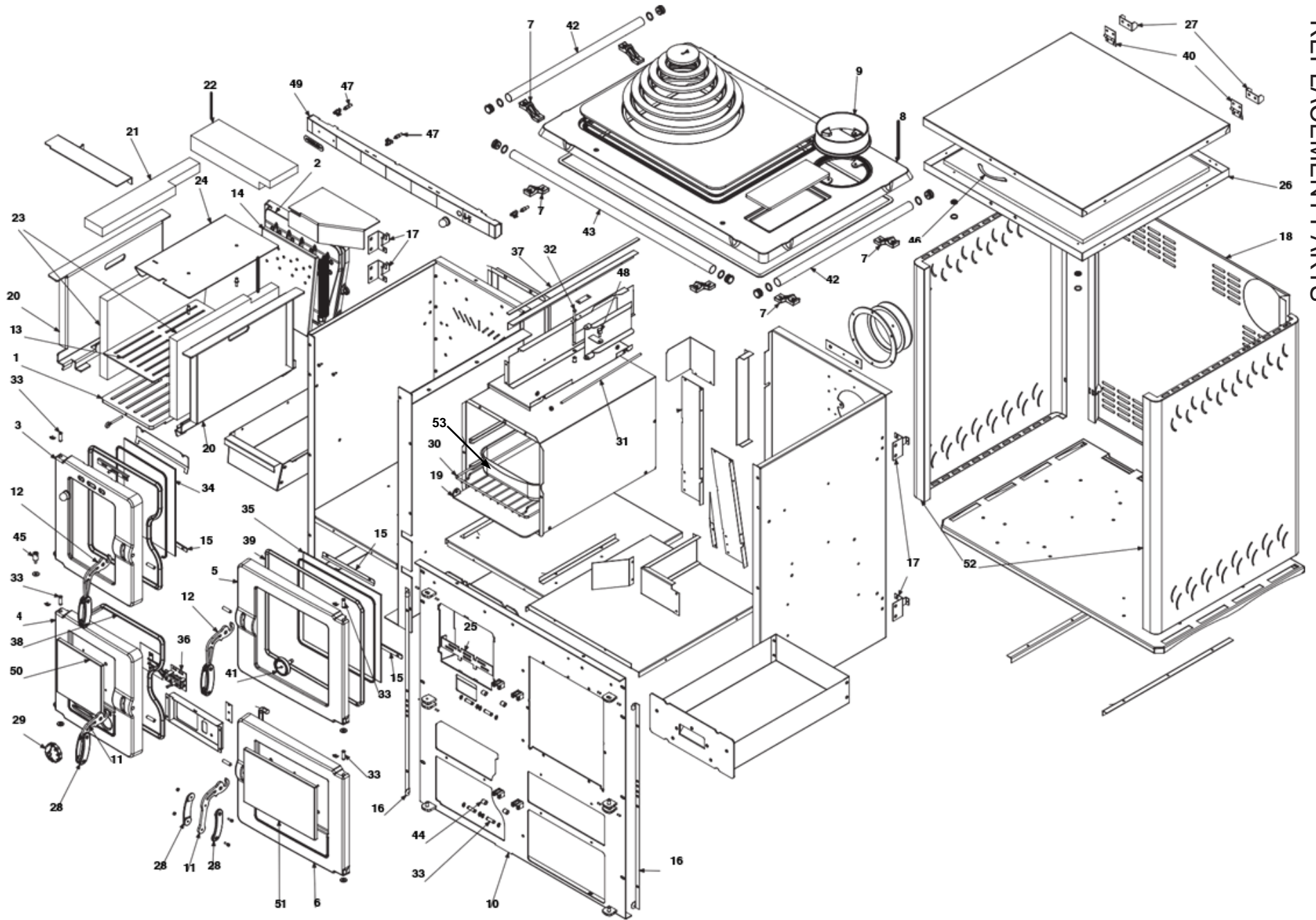


Exhaust Pipe Adapter Installation (Back)

To install the exhaust at the back of the cooking stove, follow the steps below :

1. Remove the rear exhaust vent cover by loosening the screw with a Phillips screwdriver.
2. Remove the sealing gasket under the cover.
3. Attach the cover and gasket to the exhaust vent on the top and secure with the screw.
4. Follow the top installation steps above to install the collar and chimney adapter.

REPLACEMENT PARTS



IMPORTANT: This is updated information. When asking for service or replacement parts for your stove, please provide us with the model number and the serial number. We reserve the right to modify the parts due to technological upgrades or availability. Contact an authorized dealer for one of those parts. Never use substitution material. Using non-approved parts may result in poor performance, risks for your security and will void your warranty.

#	Part	Description	Qty
1	30917	COMBUSTION CHAMBER GRID	1
2	30918	BACK COMBUSTION CHAMBER	1
3	30919	COMBUSTION CHAMBER DOOR	1
4	30920	ASHTRAY DOOR	1
5	30921	OVEN DOOR	1
6	30922	ACCESSORY DOOR	1
7	30923	HANDRAIL SUPPORT	6
8	30924	COMPLETE PLATE	1
9	30925	CAST IRON COLLAR L-69	2
10	30926	CAST IRON FACEPLATE	1
11	30927	CHROME HANDLE SET	1
12	30928	LONG CHROME HANDLE SET	1
13	30929	STAINLESS STEEL STOVE GRATE	1
14	30930	STAINLESS STEEL REAR FRAME	1
15	30931	GLASS RETAINER	3
16	30932	INTERNAL LATERAL SIDE SUPPORT	2
17	30933	EXTERNAL LATERAL SIDE SUPPORT	4
18	30934	REAR COOK STOVE PANEL	1
19	30935	REMOVABLE COOKSTOVE BASE	1
20	30936	VERMICULITE RETAINER	2
21	30937	LEFT UPPER VERMICULITE	1
22	30938	RIGHT UPPER VERMICULITE	1
23	30939	SIDE VERMICULITE	2
24	30940	BYPASS SMOKE PLATE	1
25	30941	SECONDARY AIR PLATE	1
26	30942	UNDER LID PLATE	1
27	30943	LID SUPPORT	2
28	30944	HANDLE STELLA SIRIA	8
29	30945	PRIMARY AIR HANDLE	1
30	30946	OVEN GRID	1
31	30947	SMOKE VALVE CONTROL ROD	1
32	30948	SMOKE VALVE PIN	1
33	30949	HINGE PIN DOOR	8
34	30950	COMBUSTION CHAMBER DOOR GLASS	1
35	30951	OVEN DOOR GLASS	1
36	30952	THERMOREGULATOR WITHOUT PROBE	1
37	30953	INSULATING TAPE	1
38	30954	ASH DOOR GASKET	1
39	30955	OVEN DOOR GASKET	1

#	Part	Description	Qty
40	30956	LID HINGE	2
41	30957	OVEN THERMOMETER	1
42	30958	LATERAL HANDRAIL	2
43	30959	FRONT HANDRAIL	1
44	30960	DOOR LOCK BEARING	4
45	30961	LOWER DOOR PIN	1
46	30962	HANDLE LID	1
47	30963	OVEN DOOR CLOSURE PIN	3
48	30964	AIR ADJUSTMENT PIN	1
49	30965	AIR CONTROL PANEL	1
50	30966	ASH DOOR PLATE	1
51	30967	ACCESSORY DOOR PLATE	1
52	30968	RIGHT AND LEFT COOK STOVE PANELS	2
53	VP00065	COOKING PAN OUTBACK CHEF	1

This document is available for free download on the manufacturer's website. It is a copyrighted document. Resale is strictly prohibited. The manufacturer may update this document from time to time and cannot be responsible for problems, injuries, or damages arising out of the use of information contained in any document obtained from unauthorized sources.



Stove Builder International inc.
250, rue de Copenhague,
St-Augustin-de-Desmaures (Québec) Canada
G3A 2H3
418-908-8002
tech@sbi-international.com
www.drolet.ca



Manuel d'installation

CUISINIÈRE À BOIS OUTBACK CHEF

(Modèle DB04800)



FRANÇAIS

Essai de sécurité fait
conformément aux normes
ULC S627 et UL 1482 par
un laboratoire accrédité.

LIRE LE PRÉSENT MANUEL ET LE CONSERVER POUR CONSULTATION

TABLE DES MATIÈRES

Renseignements généraux	23
Caractéristiques générales de la cuisinière	23
Dimensions de la cuisinière	24
Règlements régissant l'installation de la cuisinière	25
Positionnement de la cuisinière	25
Dégagements aux matériaux combustibles	25
Protection de plancher	27
Réduction des dégagements par rapport aux murs et au plafond	28
<i>Règles de construction de l'écran</i>	28
Tableau des pourcentages de réduction de dégagements	28
Mesures à respecter lors de la construction de l'écran	29
Le système d'évacuation	30
Renseignements généraux	30
Hauteur de la cheminée	30
Cheminées appropriées	30
<i>Cheminées de métal préfabriquées</i>	31
<i>Cheminées de maçonnerie</i>	31
Apport d'air de combustion	32
Installation du raccord de cheminée	32
<i>Installation d'un raccord de cheminée à paroi simple</i>	32
Avant d'utiliser la cuisinière	34
<i>Installation du couvert de la surface de cuisson</i>	34
<i>Assemblage de la main courante</i>	34
<i>Installation de l'adaptateur de conduit d'évacuation (sur le dessus)</i>	35
<i>Installation de l'adaptateur de conduit d'évacuation (à l'arrière)</i>	35
Pièces de remplacement	36

RENSEIGNEMENTS GÉNÉRAUX

Diamètre des buses de raccordement (Dessus- arrière)	6 po (150 mm)
Diamètre de la cheminée	6 po (150 mm)
Type de cheminée	UL 103 HT, ULC S629
Installation en alcôve	Non approuvé
Installation en maison mobile [‡]	Non approuvé
Poids à l'expédition	248 kg (545 lb)
Norme américaine (sécurité)	UL 1482
Norme canadienne (sécurité)	ULC S627
Dimensions du four (L x P x H)	11 1/2" x 17 3/4" x 11 3/4" (290 mm x 450 mm x 300 mm)

[‡]Maison mobile (Canada) ou maison préfabriquée (É.-U.) : Le département américain du logement et du développement urbain décrit « maisons préfabriquées » mieux connues sous « maisons mobiles » comme suit ; bâtiments construits sur des roues fixes et ceux transportés sur des roues/essieux temporaires installés sur une fondation permanente. Au Canada, une maison mobile est une habitation dont l'assemblage de chaque composante est achevé ou achevé en grande partie avant le déplacement de celle-ci jusqu'à un emplacement pour y être placée sur des fondations, raccordé à des installations de service et qui rencontre la norme CAN / CSA-Z240 MH.

Caractéristiques générales de la cuisinière

Lisez ce manuel au complet avant d'installer la cuisinière. Il est important de respecter intégralement les directives d'installation. Si la cuisinière n'est pas installée correctement, il peut en résulter un incendie, des blessures corporelles ou même entraîner la mort.

Les informations inscrites sur la plaque d'homologation de l'appareil ont toujours préséance sur les informations contenues dans tout autre média publié (manuels, catalogues, circulaires, revues et sites web).

Il est recommandé de communiquer avec le service municipal du bâtiment ou des incendies de la région avant l'installation de la cuisinière et de sa cheminée puisqu'un permis pourrait être exigé.

L'installation de cette cuisinière devrait être faite par des professionnels certifiés aux États-Unis par le NFI (National Fireplace Institute®) ou au Canada par WETT (Wood Energy Technology Transfer) ou au Québec par l'APC (Association des Professionnels du Chauffage).

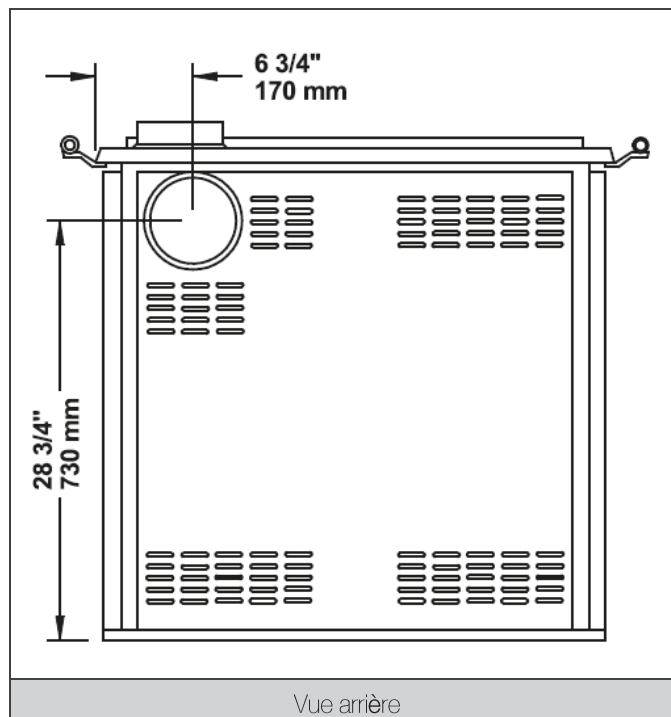
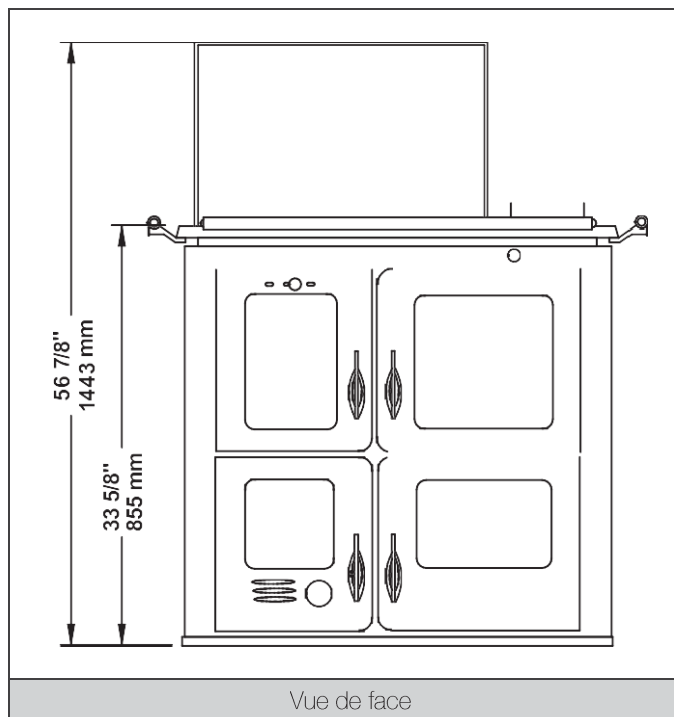
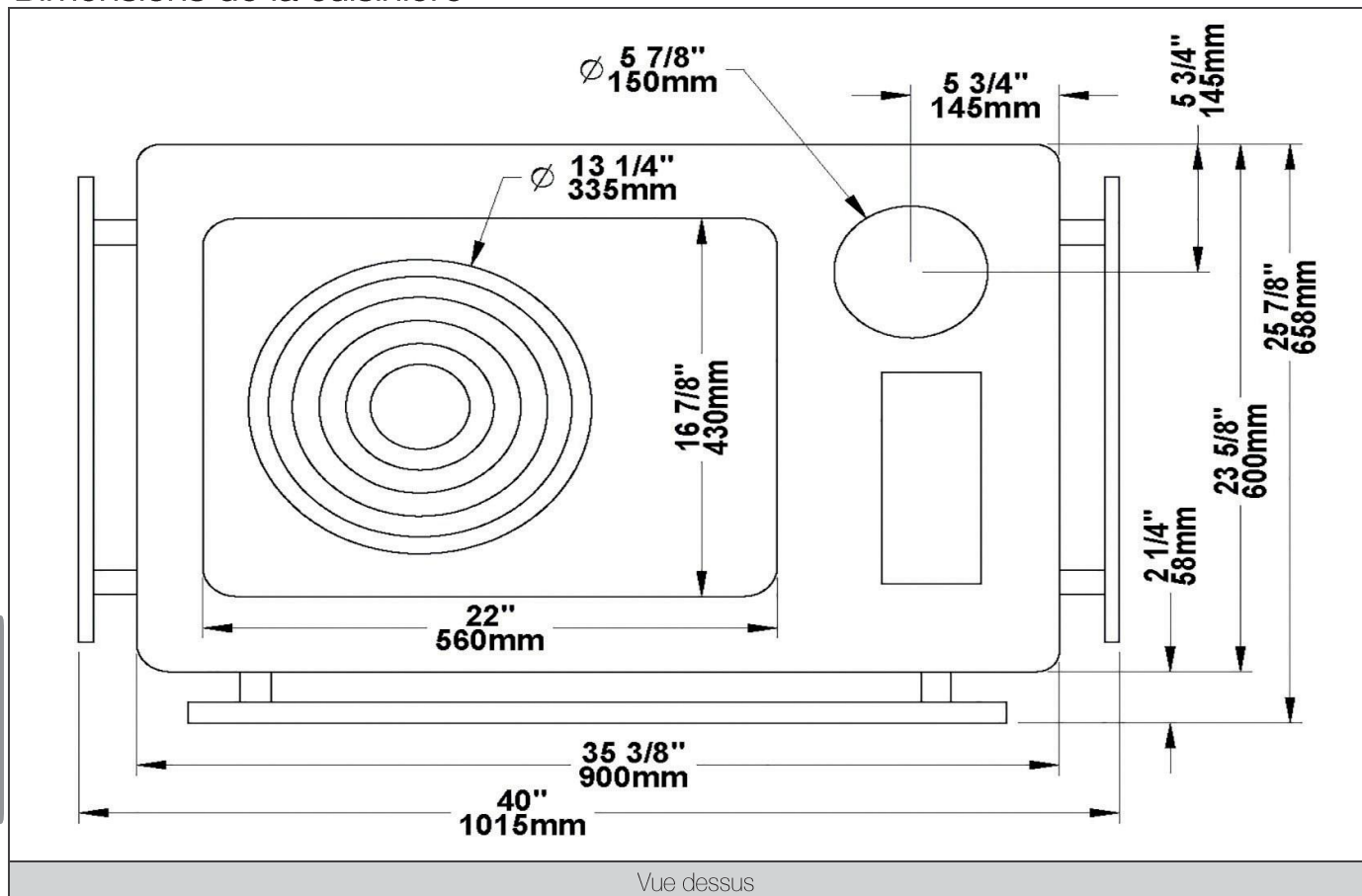
Mélanger des composants provenant de diverses sources ou modifier des éléments de la cuisinière peut amener des situations dangereuses. Toutes modifications de l'appareil qui n'a pas été approuvée par écrit par l'autorité d'homologation ou le fabricant viole les normes CSA B365 (Canada) et NFPA 211 (É.-U.).

NE PAS RELIER À UN SYSTÈME OU À UN CONDUIT DE DISTRIBUTION D'AIR SAUF SI APPROUVÉ EXPRESSÉMENT POUR UNE TELLE INSTALLATION.

CETTE CUISINIÈRE N'EST PAS APPROUVÉE POUR UNE INSTALLATION DANS UNE MAISON MOBILE NI POUR UNE INSTALLATION EN ALCÔVE.

SBI - Fabricant de poêles international inc. n'assume aucune garantie implicite ou explicite liée à la mauvaise installation de l'appareil et n'assume aucune responsabilité pour tout dommage qui en résulterait.

Dimensions de la cuisinière



Règlements régissant l'installation de la cuisinière

Au **Canada**, il faut respecter le **CSA B365** *Installation des appareils de chauffage à combustible solide et du matériel connexe* et le **CSA C22.1** *Code canadien de l'électricité* en l'absence de code local.

Aux **États-Unis**, il faut suivre le **NFPA 211** *Standard for Chimneys, Fireplaces, Vents and Solid Fuel-Burning Appliances* et le **NFPA 70** *National Electrical Code* en l'absence de code local.

Cette cuisinière doit être raccordée à une **cheminée** conforme aux exigences de cheminées de type HT dans la norme pour cheminées préfabriquées de type résidentiel et appareils de chauffage de bâtiment, **UL 103 HT** et **ULC S629** ou à une cheminée de maçonnerie approuvée selon le code avec une gaine de cheminée.

NE PAS RACCORDER CET APPAREIL À UN CONDUIT DE CHEMINÉE DESSERVANT UN AUTRE APPAREIL.

Positionnement de la cuisinière

Choisir un emplacement qui évitera que la cheminée entre en conflit avec les solives de plancher, les fermes de toit, les montants, les conduites d'eau, les fils électriques et qui permettra d'installer le moins de déviations possible au niveau de la cheminée.

L'emplacement de la cuisinière doit permettre un espace suffisant pour l'entretien de celle-ci ainsi que de son système d'évacuation.

Cette cuisinière pèse environ 227 kg (500 lbs). Pour valider l'ajout d'une solive de plancher additionnel, consultez le code du bâtiment local.

DÉGAGEMENTS AUX MATÉRIAUX COMBUSTIBLES

Les dégagements donnés dans la présente section ont été établis à partir d'essais conformément aux procédures décrites dans les normes ULC S627 (Canada) et UL 1482 (É.-U.). Lorsque cette cuisinière est installée de façon à ce que ses surfaces respectent les dégagements minimums indiqués ou plus, les surfaces inflammables ne surchaufferont pas en usage normal et même anormal.

Aucune partie de la cuisinière ou du conduit de fumée ne peut être placée plus près des matériaux combustibles que les dégagements minimums indiqués.

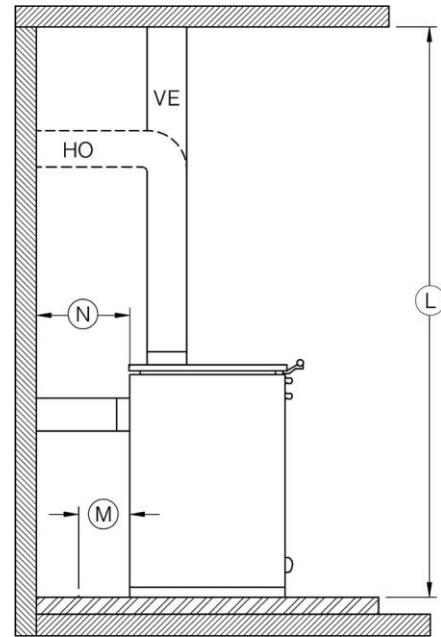
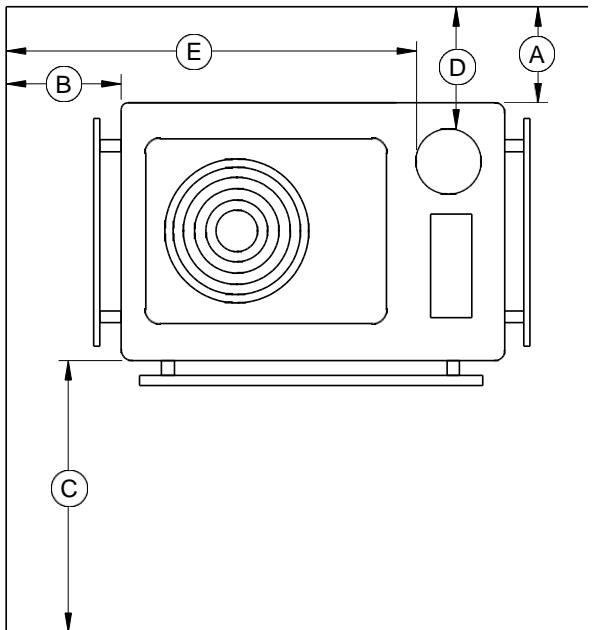
Les dégagements par rapport aux murs combustibles peuvent être légèrement différents entre le Canada et les É.-U. et peuvent aussi varier selon l'utilisation d'un tuyau de fumée à paroi simple ou double. Assurez-vous d'utiliser le bon dégagement pour votre emplacement et votre type de tuyau.

Dégagements de l'appareil avec ou sans couvercle (Tuyaux simple)		
	CANADA	É.-U.
A	15" (381 mm)	11" (279 mm)
B	9" (229 mm)	9" (229 mm)
C	48" (1219 mm)	36" (914 mm)
L	84" (2134 mm)	84" (2134 mm)

Dégagements de l'appareil sans couvercle (Tuyaux double)		
	CANADA	É.-U.
A	14" (356 mm)	11" (279 mm)
B	9" (229 mm)	9" (229 mm)
C	48" (1219 mm)	36" (914 mm)
L	84" (2134 mm)	84" (2134 mm)

Dégagements de l'appareil avec couvercle (Tuyaux double)		
	CANADA	É.-U.
A	7" (178 mm)	7" (178 mm)
B	9" (229 mm)	9" (229 mm)
C	48" (1219 mm)	36" (914 mm)
L	84" (2134 mm)	84" (2134 mm)

Dégagements de l'appareil avec couvercle et écran mural (Tuyaux double)		
	CANADA	É.-U.
A	3" (76 mm)	3" (76 mm)
B	5" (127 mm)	5" (127 mm)
C	48" (1219 mm)	36" (914 mm)
L	84" (2134 mm)	84" (2134 mm)



Distances* de la buse (Tuyaux Simple)		
	CANADA	É.-U.
D	18" (457 mm)	14" (356 mm)
E	35 ½" (902 mm)	35 ½" (902 mm)

Distances* de la buse (Tuyaux Double)		
	CANADA	É.-U.
D	17" (432 mm)	14" (356 mm)
E	35 ½" (902 mm)	35 ½" (902 mm)

*Notez que les dégagements de l'appareil et les distances des tuyaux doivent être rencontrés de façon individuelle. Il est toutefois possible de réduire les dégagements de l'appareil en utilisant un écran pare-chaleur. Le dégagement d'un tuyau à paroi simple est de 18". Pour le dégagement d'un tuyau à paroi double certifié, référez-vous à la plaque d'homologation du fabricant du tuyau.

Protection de plancher

Cette cuisinière est conçue pour empêcher le plancher de surchauffer. Il faut toutefois la placer sur une surface ininflammable pour protéger le plancher des tisons chauds qui pourraient tomber lors du chargement ou de l'entretien.

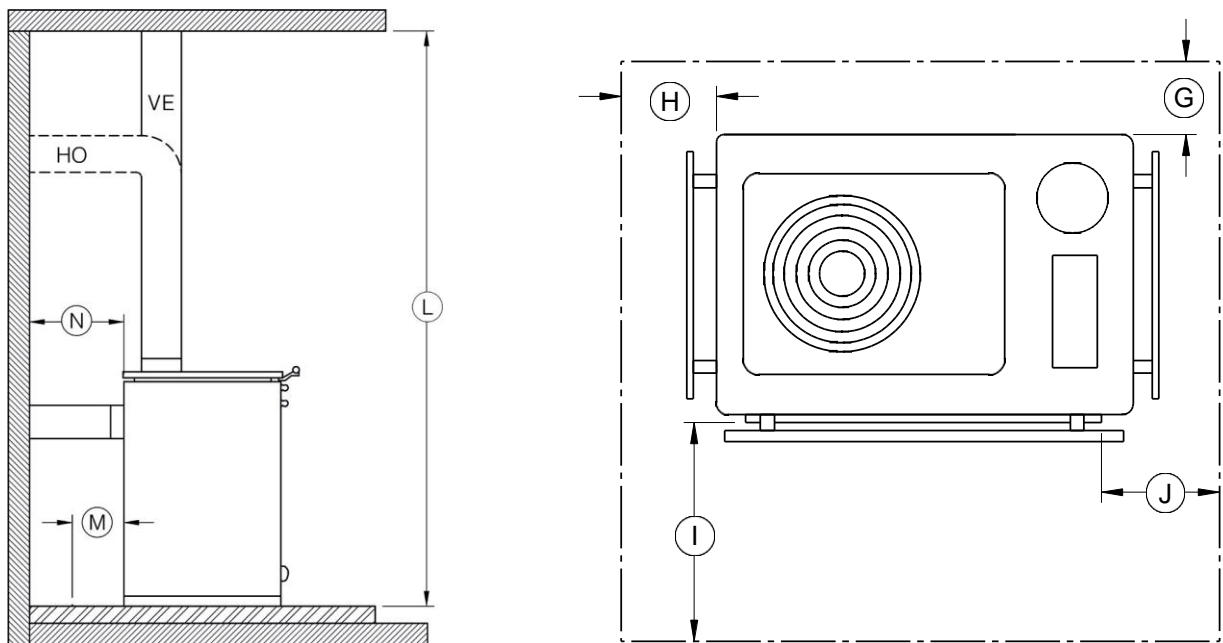
La cuisinière doit être placée sur une surface incombustible continue telle que de la céramique*, un panneau de béton, de la brique ou tout autre matériel équivalent, approuvé comme protection de plancher. Aucun facteur R n'est requis pour la protection de plancher.

*La céramique doit être placée sur un panneau incombustible continu afin d'éviter que des tisons puissent être mis en contact avec le plancher à travers des fissures ou des manques dans le coulis de la céramique. Vérifiez le code local pour les alternatives approuvées.

Protection de plancher		
	CANADA	É.-U.
G ¹	8" (203 mm)	N/AP
H	8" (203 mm)	N/AP
I	18" (457 mm)	16" (406 mm)
J	N/AP	8" (203 mm)
N	N/AP	2
M	8" (203 mm)	N/AP

¹La protection de plancher se limite au dégagement arrière (A) si ce dernier est inférieur à 8" (203 mm).

²Seulement requis sous la section horizontale (HO) du connecteur. Doit excéder d'au moins 2" (51 mm) de chaque côté du connecteur.



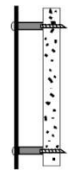
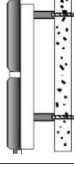
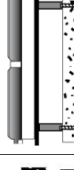

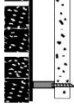
Réduction des dégagements par rapport aux murs et au plafond

Il est souvent désirable de réduire les dégagements minimums d'installation en plaçant l'appareil plus près des murs afin d'occuper moins de surface de plancher. Il est possible de réduire de façon sécuritaire les dégagements minimums en installant de façon permanente un écran entre l'appareil et le matériau combustible. Les règles s'appliquant aux écrans de sécurité sont parfois compliquées. Lisez-les soigneusement et suivez-les à la lettre. Remarquez qu'il peut y avoir de légères différences régionales dans les règles de réduction des dégagements. Vérifiez auprès d'un inspecteur en bâtiment ou en protection d'incendie avant de commencer.

Règles de construction de l'écran

- Les colles utilisées dans la construction des écrans ne doivent ni s'enflammer ni perdre leurs propriétés adhésives aux températures qui seront atteintes.
- La quincaillerie d'assemblage doit permettre une ventilation verticale complète.
- La quincaillerie d'assemblage qui pénètre dans le matériau combustible à partir de la surface de l'écran ne peut être utilisée que sur les rebords de l'écran

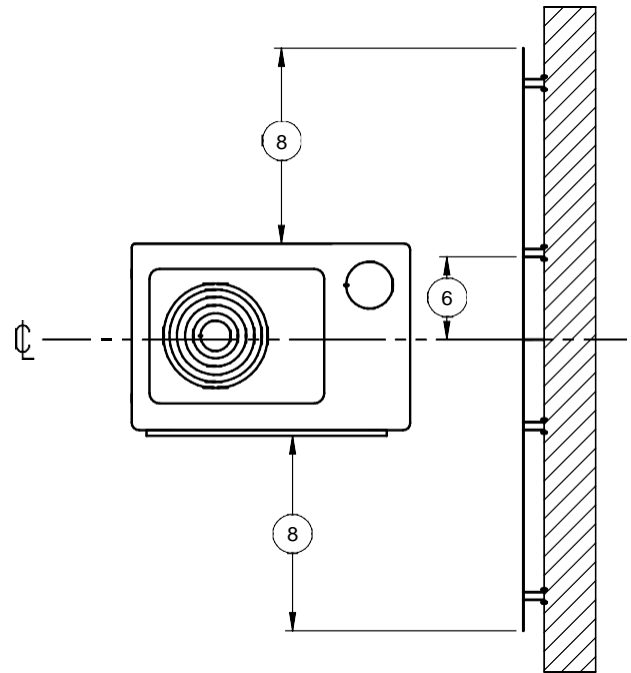
Tableau des pourcentages de réduction de dégagements

Types d'écrans	Pourcentages de réduction des dégagements permis				
	Côtés et arrière		Dessus (plafond)		
	Can/É-U (%)	É-U min.	Can/É-U (%)	É-U min.	
Tôle, épaisseur 24ga au minimum (0,61 mm), espacé du mur d'au moins 25 mm (1 po)* par des cales ininflammables.	67	12"	50	18"	
Tuiles de céramique ou d'un matériau ininflammable équivalent placées sur un panneau ininflammable espacé du mur d'au moins 25 mm (1 po)* par des cales ininflammables.	50	18"	33	24"	
Tuiles de céramique ou d'un matériau ininflammable équivalent placé sur un panneau ininflammable recouvert d'une tôle d'au moins 24 ga d'épaisseur (0,61 mm) espacé du mur d'au moins 25 mm (1 po)* par des cales ininflammables.	67	12"	50	24"	
Brique, espacée du mur d'au moins 25 mm (1 po)* par des cales ininflammables.	50	18"	N/AP	N/AP	
Brique, devant une tôle d'une épaisseur d'au moins 24 ga (0,61 mm), espacée du mur d'au moins 25 mm (1 po)* par des cales ininflammables.	67	12"	N/AP	N/AP	

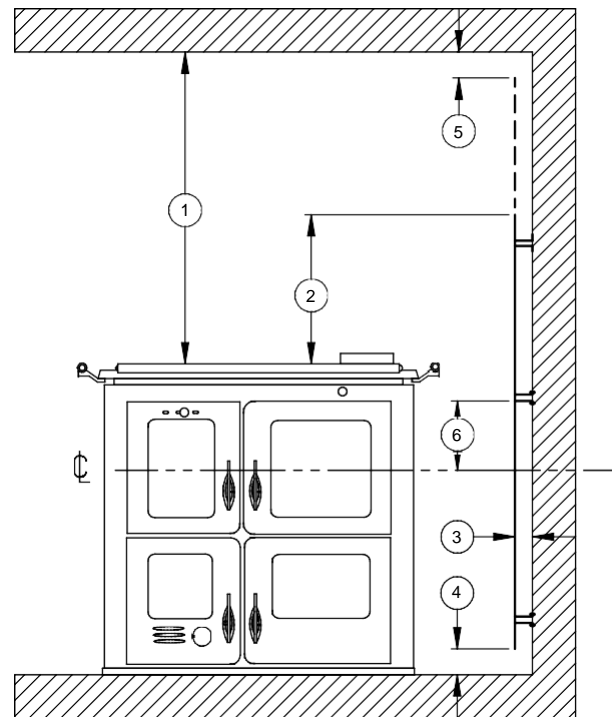
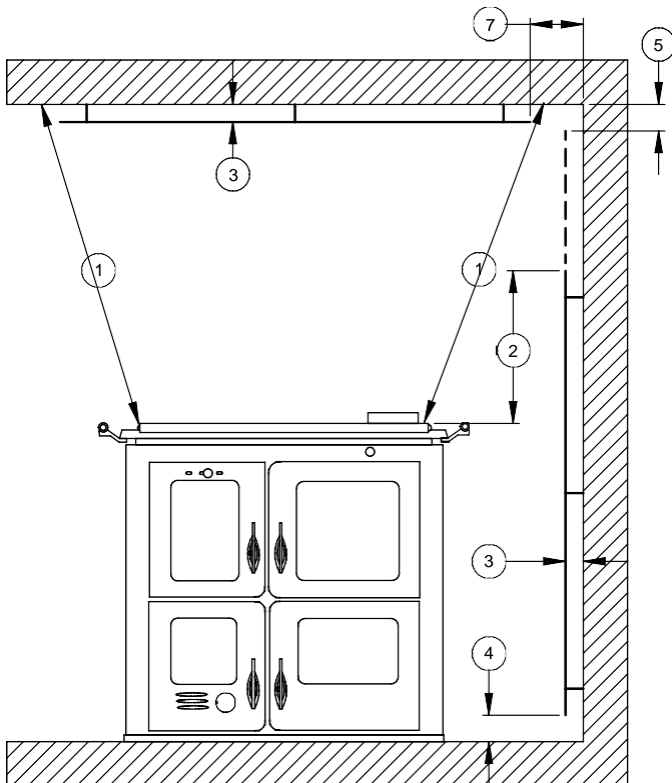
*Au Canada, cet espace peut être de 21 mm (7/8")

Mesures à respecter lors de la construction de l'écran

1	Dégagement minimum entre le dessus de l'appareil et le plafond sans protection	1270 mm (50")
2	Dépassement de l'écran plus haut que l'appareil	500 mm (20")
3	Espace minimum derrière l'écran	USA 25 mm (1") Can. 21 mm (7/8")
4	Dégagement au bas de l'écran	USA 25 mm (1") Can. min. 25 mm (1") max 76 mm (3")
5	Dégagement minimum du haut de l'écran au plafond :	76 mm (3")
6	La quincaillerie d'assemblage ne doit pas être placée à moins de 200 mm (8 po.) de l'axe central de l'appareil.	
7	Dégagement des rebords de l'écran aux murs de côtés et arrière pour écrans de plafond	75 mm (3")
8	Dépassement de l'écran au-delà des côtés de l'appareil	450 mm (18")



FRANÇAIS



LE SYSTÈME D'ÉVACUATION

Renseignements généraux

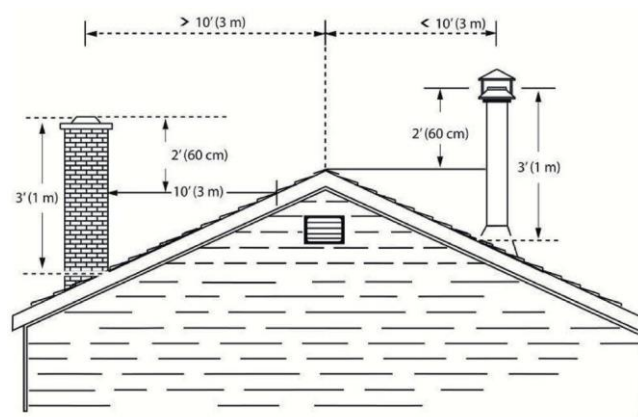
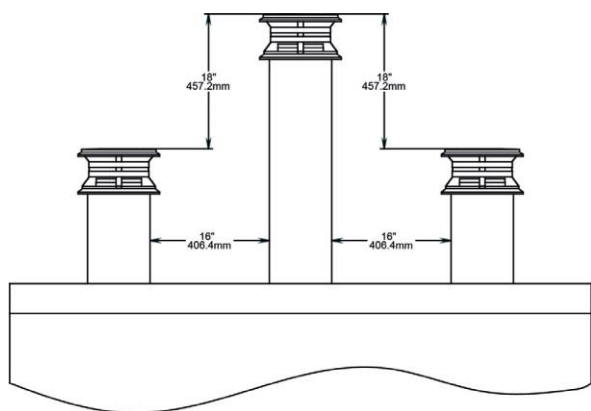
Le système d'évacuation, composé de la cheminée et du tuyau qui raccorde la cuisinière à la cheminée, agit comme le moteur qui entraîne le système de chauffage au bois. Même le meilleur appareil ne fonctionnera pas de façon aussi sécuritaire et efficace que prévu s'il n'est pas raccordé à une cheminée adéquate.

La chaleur contenue dans les gaz d'évacuation, qui passent du poêle au raccord de cheminée, puis à la cheminée, n'est pas de la chaleur perdue. C'est cette chaleur qu'utilise la cheminée pour créer le tirage qui aspire l'air de combustion, garde la fumée dans l'appareil et évacue les gaz de façon sécuritaire vers l'air libre. Vous pouvez considérer la chaleur contenue dans les gaz d'évacuation comme le combustible dont se sert la cheminée pour créer le tirage.

Hauteur de la cheminée

L'extrémité de la cheminée doit être suffisamment haute pour dépasser la turbulence d'air causée par le vent contre la maison et le toit. La cheminée doit dépasser d'au moins 1 mètre (3 pi.) au-dessus de son point de sortie du toit le plus haut et d'au moins 60 cm (2 pi.) toute portion du toit ou d'un obstacle situé à une distance horizontale de moins de 3 m (10 pi.).

FRANÇAIS

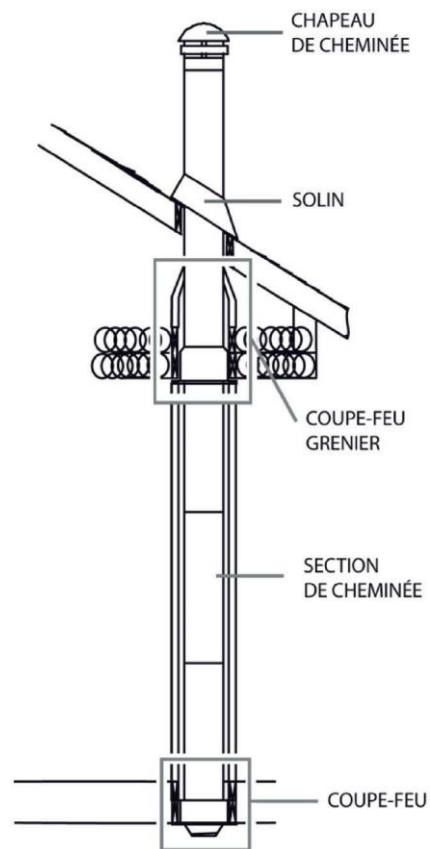


Cheminées appropriées

Pour être appropriée, une cheminée de métal préfabriquée doit être conforme aux normes UL 103 HT (É.-U) ou ULC S629 (Canada). De plus, cette cuisinière au bois a une performance et une efficacité optimale lorsqu'elle est raccordée à une cheminée ayant un conduit de fumée de 6" de diamètre.

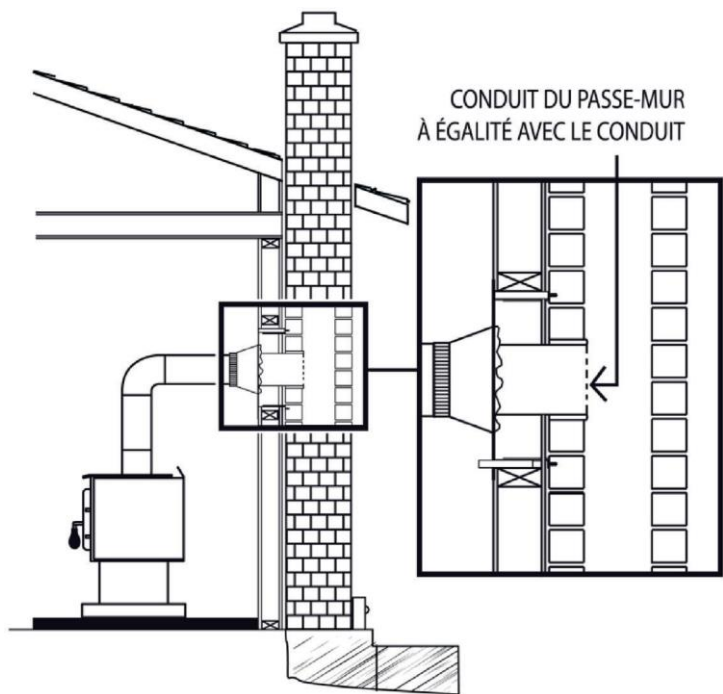
Cheminées de métal préfabriquées

Ces cheminées sont souvent appelées cheminées « à haute température » parce qu'elles possèdent des caractéristiques spéciales pour supporter les températures qui peuvent être générées par les appareils au bois. Les cheminées préfabriquées subissent des essais en tant que système comportant tous les éléments nécessaires pour l'installation. Pour être sécuritaire et efficace, la cheminée doit être installée exactement selon les instructions du fabricant. N'utilisez que des éléments conçus pour la marque et le modèle de cheminée que vous utilisez. Ne remplacez jamais d'éléments par d'autres provenant de marques de cheminée différentes et ne fabriquez jamais les vôtres.



Cheminées de maçonnerie

La cuisinière peut aussi être raccordée à une cheminée de maçonnerie, pourvu que la cheminée soit conforme aux règles de construction du code du bâtiment local. La cheminée doit être munie d'un conduit d'argile ou d'une chemise d'acier inoxydable (gaine) homologuée appropriée. Si la cheminée de maçonnerie a une chemise carrée ou rectangulaire dont la surface de section transversale est supérieure à celle d'une cheminée ronde de 6 po. de diamètre, il faut y insérer une chemise d'acier inoxydable (gaine) de 6 po. de diamètre homologuée appropriée. Ne réduisez pas le conduit de fumée à moins de 6 po. Lorsque l'on doit traverser un mur combustible, un coupe-feu isolé homologué est obligatoire.



APPORT D'AIR DE COMBUSTION

Dans la situation où la cuisinière et la cheminée sont complètement froides, il peut être nécessaire, avant l'allumage, de fournir un apport d'air extérieur en ouvrant quelques instants une porte ou une fenêtre. Une maison construite ou rénovée de manière étanche est sujette à ne pas avoir le renouvellement d'air nécessaire au bon fonctionnement d'un appareil de chauffage au bois.

Dans ce cas, il faut éviter, à l'allumage, de faire fonctionner les appareils qui évacuent de l'air à l'extérieur de la maison, tels que :

- Hotte de cuisinière
- Ventilateur de salle de bain
- Échangeur d'air
- Balayeuse centrale ventilée
- Sécheuse

L'alimentation en air comburant ne peut se faire de plusieurs façons, à condition qu'elles satisfassent au chapitre 5 de la norme CSA B365.

Il est recommandé de faire installer une entrée d'air extérieur d'un minimum de 4" de diamètre dans la pièce ou à proximité de la pièce où est installé l'appareil de chauffage. Pour ce faire, il est préférable de choisir un mur qui n'est pas exposé aux vents dominants, suivant les conditions environnantes autour de la maison. L'air ne peut provenir d'un garage ou un entrepôt de matériaux combustibles.

L'air extérieur doit être amené dans un conduit à au plus 300mm (12") de l'appareil, afin de ne pas nuire à son fonctionnement. Un clapet mécanique étanche permettra de fermer l'entrée d'air lorsque la cuisinière n'est pas utilisée. Une protection contre les rongeurs doit être installée sur l'extrémité extérieur du conduit.

INSTALLATION DU RACCORD DE CHEMINÉE

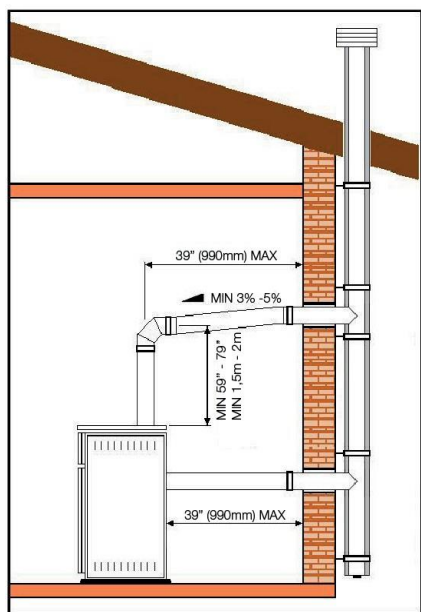
Le raccord de cheminée est le tuyau à paroi simple, ou double, installé entre la buse de la cuisinière et la bague de cheminée. Les éléments de tuyau à paroi simple se vendent dans la plupart des quincailleries et magasins de matériaux de construction. Ces sections n'ont généralement pas subi d'essais selon une norme précise et ne sont pas homologuées. Par conséquent, une série de règles que l'on retrouve dans les codes d'installation pour appareil de chauffage au combustible solide s'appliquent à l'installation de tuyau à paroi simple.

Les raccords de cheminée à paroi double ont subi des essais et sont homologués. Les règles concernant les tuyaux à paroi double se trouvent dans les instructions d'installation du fabricant. Ces règles sont très différentes de celles concernant les tuyaux à paroi simple.

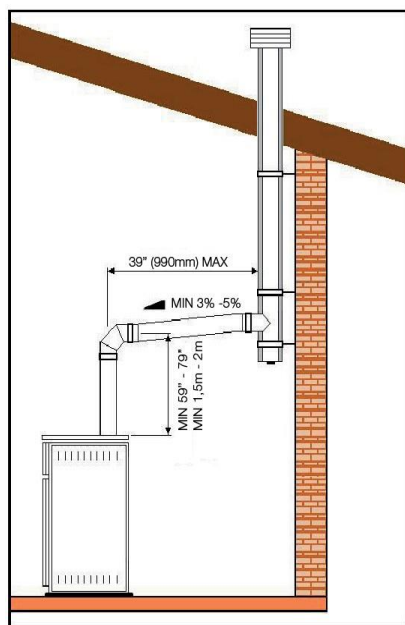
Installation d'un raccord de cheminée à paroi simple

L'ensemble du raccord de cheminée a été appelé «le maillon faible» dans la sécurité des systèmes de chauffage au bois, parce que si le raccord est mal installé, cela peut provoquer un incendie.

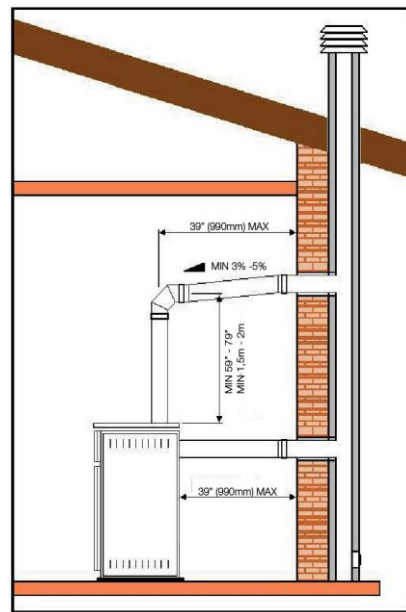
La meilleure installation de tuyau de fumée est celle qui monte directement de la cuisinière jusqu'à la base de la cheminée sans aucun coude. Les installations droites causeront moins de problèmes comme les retours de fumée, lorsqu'on ouvre la porte pour recharger l'appareil. Elles sont aussi plus stables et plus faciles d'entretien que les installations comportant des coudes. Il faut éviter autant que possible les sections horizontales de tuyau de fumée parce qu'elles réduisent le tirage de la cheminée et sont plus propices à l'accumulation de créosote.



Installation verticale ou horizontale, cheminée préfabriquée extérieure



Installation verticale, cheminée préfabriquée intérieure



Installation verticale ou horizontale, cheminée de maçonnerie extérieure

Les règles ci-dessous sont basées sur celles que l'on retrouve dans le code d'installation CSA B365. Il est impératif de suivre soigneusement ces instructions d'installation ou celles du code local.

- Une installation de tuyau idéale est celle qui monte tout droit à partir de la buse de la cuisinière directement dans la cheminée, sans coudes. Une installation qui monte tout droit exige soit une section télescopique ou un tuyau d'accouplement pour qu'on puisse la monter et la démonter sans déplacer la cuisinière. Une installation de tuyau droit offre le minimum de restriction à l'échappement de la fumée et donne un meilleur tirage. Les installations droites ont aussi besoin de moins d'entretien parce qu'il n'y a pas d'angles où la créosote puisse se déposer.
- La longueur maximale de tuyau horizontal est de 3 m (10 pi.) incluant les coudes.
- Le dégagement minimum par rapport aux matériaux combustibles est de 450 mm (18 po.) Le dégagement minimum peut être réduit si un écran approprié est installé. Voir les instructions d'installation de l'écran pour plus de détails.
- Les conduits entre la cuisinière et la cheminée doivent être aussi courts et droits que possible. Il est souvent préférable d'utiliser deux coudes à 45° plutôt qu'un seul coude à 90°.
- Le nombre maximal de coudes à 90° est de deux.
- La longueur de conduit horizontal maximale est de 1 m (3 pi.)
- Les tuyaux de fumée galvanisés ne doivent pas être utilisés car leur enduit se vaporise à haute température et produit des gaz toxiques. Utilisez des tuyaux de fumée noirs.
- Les tuyaux de fumée doivent avoir une épaisseur minimum de 24 ga.
- Les raccords de tuyaux de fumée doivent se chevaucher sur minimum 30 mm (1 ¼ po.)
- Chaque raccord de l'installation doit être fixé à l'aide d'au moins trois vis.

- L'installation doit pouvoir prendre de l'expansion : les coudes d'une installation permettent l'expansion; les installations droites doivent comporter un tuyau d'accouplement dont une extrémité doit être sans attache ou encore une section télescopique.
- Pente ascendante minimum vers la cheminée : 20 mm/m (1/4" par pieds).
- L'une des extrémités de l'installation doit être fixée solidement à la buse de la cuisinière à l'aide de trois vis à métaux et l'autre extrémité fixée solidement à la cheminée.
- Il doit être possible de nettoyer les tuyaux, soit par un regard ou en enlevant les tuyaux. L'enlèvement des tuyaux ne doit pas exiger le déplacement de la cuisinière.
- Les parties mâles des sections de tuyau doivent être orientées vers l'appareil de sorte que la cendre et la condensation restent à l'intérieur du tuyau.
- Un tuyau de fumée ne doit jamais traverser un plancher ou un plafond inflammable ou traverser un grenier, un faux plafond, un placard ou un vide dissimulé.
- Lorsque le passage à travers un mur ou une cloison en matériaux combustibles est souhaité, l'installation doit être conforme à la norme CSA B365, code d'installation des appareils à combustibles solides et du matériel connexe.
- Le raccord de cheminée doit être en bon état.

AVANT D'UTILISER LA CUISINIÈRE

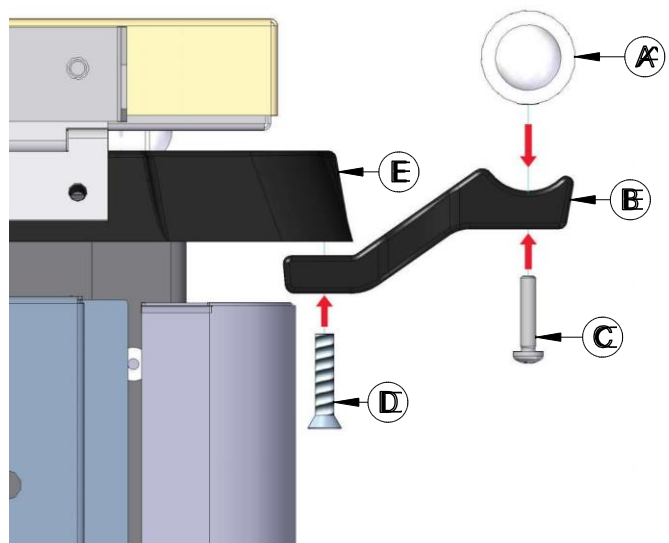
Installation du couvert de la surface de cuisson

Installer le couvert de la surface de cuisson fourni avec la cuisinière avant son utilisation.

Assemblage de la main courante

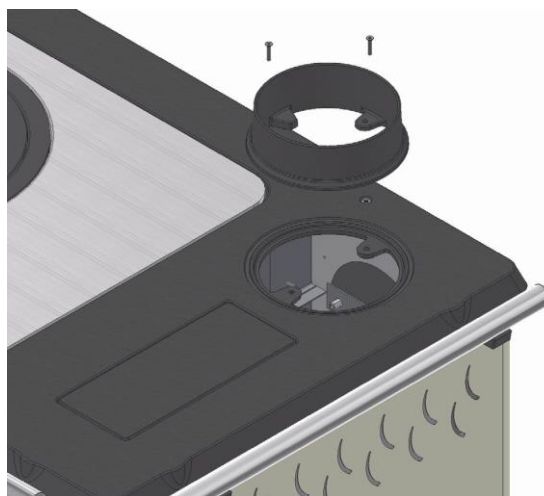
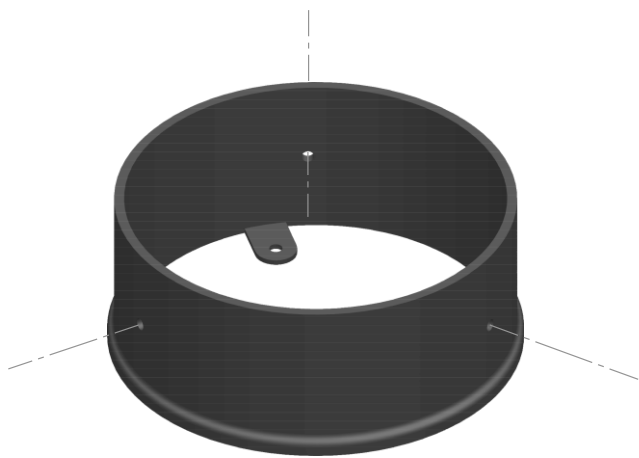
Les mains courantes de la cuisinière ne sont pas installées lors de l'achat. Il vous faudra donc les installer en respectant les étapes suivantes.

1. Dévissez les vis **(D)** de support de la main courante, déjà présente sur la plaque de la cuisinière **(E)**.
2. Fixez les deux supports **(B)** sur la main courante **(A)** et fixez-les avec les vis **(C)** fournies. Faites attention au sens de positionnement des supports.
3. Positionner les supports de sorte qu'ils soit vis-à-vis avec les trous de la plaque de la cuisinière.
4. Fixez la main courante sur la plaque de la cuisinière **(E)** avec les vis **(D)** fournies.

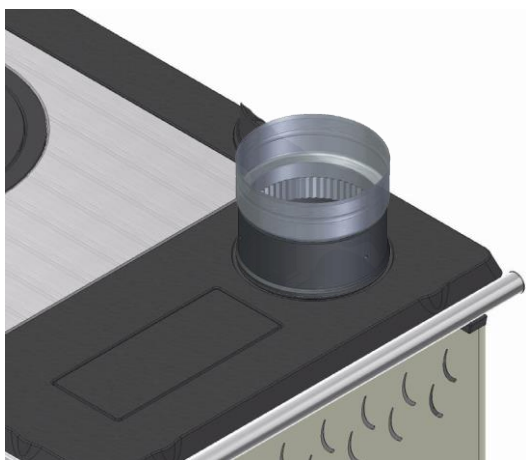


Installation de l'adaptateur de conduit d'évacuation (sur le dessus)

1. Sortez le collet de fonte de la cuisinière. Percez 3 trous à égale distance sur le collet avec la mèche 3/16" incluse. Ces trous serviront à fixer l'adaptateur de la cheminée.
2. Fixer le collet de fonte, avec les deux vis fournies avec la cuisinière sur la sortie d'évacuation existante.



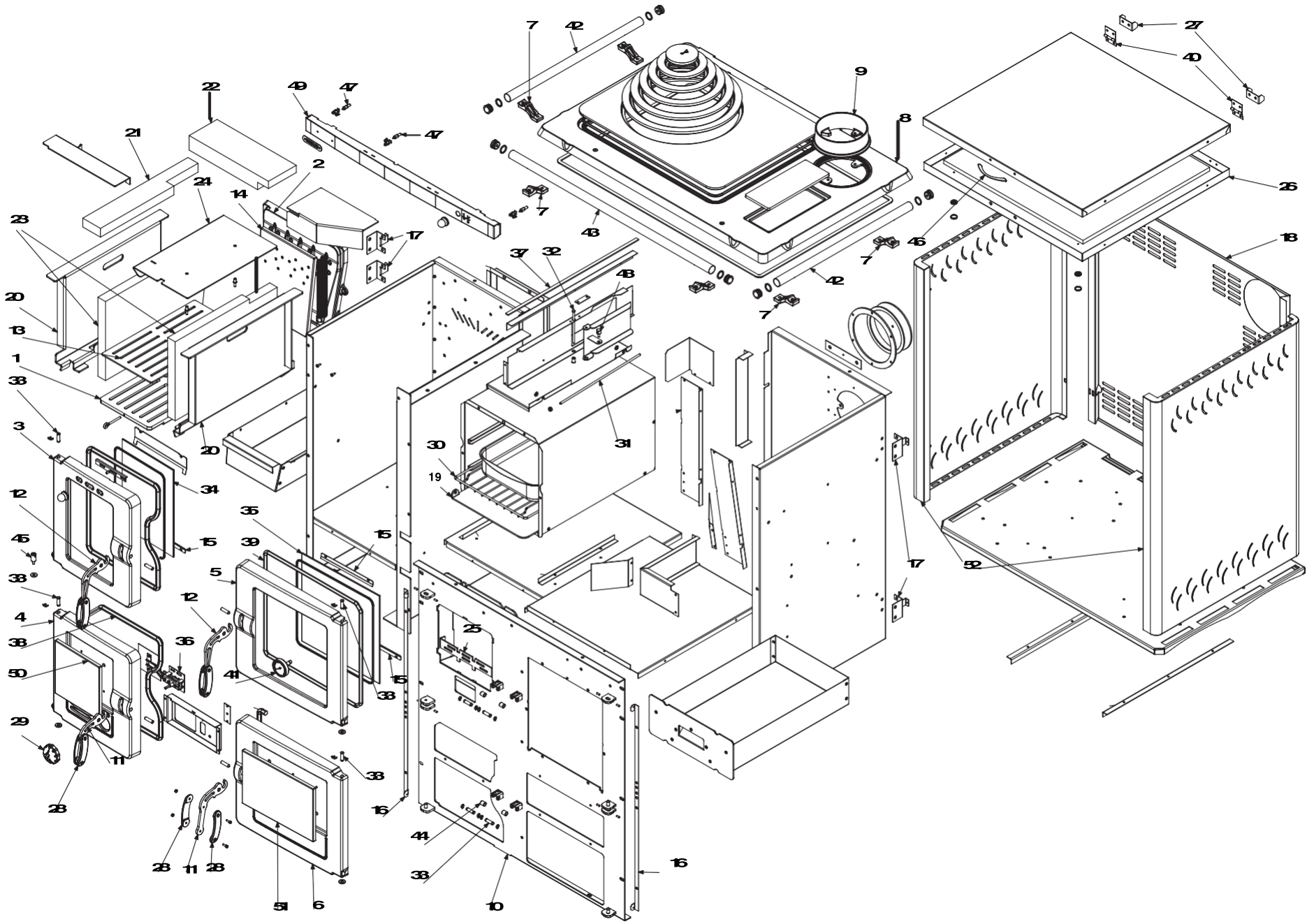
3. Insérez l'adaptateur de tuyaux et fixez-le avec les trois vis incluses avec l'adaptateur. Aligner le collet de sorte que deux trous soient alignés vers l'avant et un trou vers l'arrière.



Installation de l'adaptateur de conduit d'évacuation (à l'arrière)

Pour installer l'adaptateur de conduit d'évacuation à l'arrière, suivre les étapes suivantes :

1. Retirez le couvercle de sortie d'évacuation arrière, en desserrant la vis avec un tournevis cruciforme.
2. Retirez le cordon d'étanchéité situé sous le couvercle.
3. Installez le couvercle et le cordon sur la sortie d'évacuation située sur le dessus et fixez-les avec la vis située au centre du couvercle.
4. Suivez les étapes d'installation sur le dessus pour l'installation du collet et de l'adaptateur de cheminée.



IMPORTANT: Il s'agit d'informations actualisées. Lors de la demande de service ou de pièces de remplacement pour votre poêle, s'il vous plaît fournir le numéro de modèle et le numéro de série. Nous nous réservons le droit de modifier les pièces en raison de mise à niveau technologique ou de disponibilité. Contactez un revendeur autorisé pour obtenir une de ces pièces. Ne jamais utiliser des matériaux de substitution. L'utilisation de pièces non approuvées peut entraîner de mauvaises performances, des risques pour votre sécurité et annulera votre garantie.

#	Pièce	Description	Qté
1	30917	GRILLE DE CHAMBRE À COMBUSTION	1
2	30918	DOS DE CHAMBRE À COMBUSTION	1
3	30919	PORTE DE LA CHAMBRE À COMBUSTION	1
4	30920	PORTE DU CENDRIER	1
5	30921	PORTE DU FOUR	1
6	30922	PORTE D'ACCÈS AUX ACCESSOIRES	1
7	30923	SUPPORT DE MAIN COURANTE	6
8	30924	PLAQUE COMPLÈTE	1
9	30925	COLLET DE FONTE L-69	2
10	30926	FAÇADE EN FONTE	1
11	30927	ENSEMBLE DE POIGNÉES CHROMÉS	1
12	30928	ENSEMBLE DE POIGNÉES LONGUES CHROMÉS	1
13	30929	GRILLE DU POÊLE EN ACIER INOXYDABLE	1
14	30930	CADRE ARRIÈRE EN ACIER INOXYDABLE	1
15	30931	SUPPORT DE VITRE	3
16	30932	SUPPORT LATÉRAL COTÉ INTERNE	2
17	30933	SUPPORT LATÉRAL POUR COTÉ EXTERNE	4
18	30934	PANNEAU ARRIÈRE DE LA CUISINIÈRE	1
19	30935	BASE DU FOUR AMOVIBLE	1
20	30936	SUPPORT DE VERMICULITE	2
21	30937	VERMICULITE SUPÉRIEURE GAUCHE	1
22	30938	VERMICULITE SUPÉRIEURE DROITE	1
23	30939	VERMICULITE DE COTÉ	2
24	30940	PLAQUE DE CONTOURNEMENT DE FUMÉE	1
25	30941	PLAQUE D'AIR SECONDAIRE	1
26	30942	DESSOUS DE COUVERCLE	1
27	30943	SUPPORT DE COUVERCLE	2
28	30944	POIGNÉE STELLA SIRIA	8
29	30945	POIGNÉE D'AIR PRIMAIRE	1
30	30946	GRILLE DU FOUR	1
31	30947	TIGE DE LA VALVE DE CONTRÔLE DE FUMÉE	1
32	30948	GOUPILLE DE LA VALVE DE CONTRÔLE DE FUMÉE	1
33	30949	GOUPILLE DE PENTURE DE PORTE	8
34	30950	VITRE DE LA CHAMBRE À COMBUSTION	1
35	30951	VITRE DE LA PORTE DU FOUR	1
36	30952	THERMORÉGULATEUR SANS SONDÉ	1
37	30953	RUBAN ISOLANT	1
38	30954	JOINT DE LA PORTE À CENDRE	1
39	30955	JOINT DE LA PORTE DU FOUR	1

#	Pièce	Description	Qté
40	30956	PENTURE DU COUVERCLE	2
41	30957	THERMOMÈTRE DU FOUR	1
42	30958	MAIN COURANTE LATÉRALE	2
43	30959	MAIN COURANTE AVANT	1
44	30960	COUSSINET DE BARRURE DE PORTE	4
45	30961	PIVOT DE ROTATION	1
46	30962	POIGNÉE DU COUVERCLE	1
47	30963	GOUPILLE DE FERMETURE DE PORTE	3
48	30964	GOUPILLE D'AJUSTEMENT DE VOLET D'AIR	1
49	30965	PANNEAU DE CONTRÔLE D'AIR	1
50	30966	PLAQUE DE PORTE DU CENDRIER	1
51	30967	PLAQUE DE PORTE D'ACCESSOIRE	1
52	30968	PANNEAUX DE CUISINIÈRE DROITE ET GAUCHE	2
53	VP00065	PLATEAU DE CUISSON OUTBACK CHEF	1

Ce manuel peut être téléchargé gratuitement à partir du site web du fabricant. Il s'agit d'un document dont les droits d'auteur sont protégés. La revente de ce manuel est formellement interdite. Le fabricant se réserve le droit de modifier ce manuel de temps à autre et ne peut être tenu responsable de tous problèmes, blessures ou dommages subis suite à l'utilisation d'information contenue dans tout manuel obtenu de sources non autorisées.



Fabricant de poêles International inc.
250, rue de Copenhague,
St-Augustin-de-Desmaures (Québec) Canada
G3A 2H3
418-908-8002
tech@sbi-international.com
www.drolet.ca