

Table of Contents

General Product Information.....	3
Codes.....	3
Product Applications.....	3
Clearances.....	3
Ventis Pellet Vent Components.....	4
Tools/Installation Equipment	4
Safety Considerations.....	4
Installation Examples.....	5
Ceiling Supported Installation.....	7
Framing Openings.....	7
Floor/Attic Firestop.....	7
Enclosures.....	7
Attic Shielding.....	7
Assembling the Chimney.....	7
Completing the Top Termination.....	8
Exterior Vertical Installation.....	8
Horizontal Installation.....	9
Installation through a Masonry Chimney	10
Installation to an Existing Factory Built Chimney.....	10
Maintenance Instructions.....	11
Cleaning Procedures.....	11
Warranty.....	12

General Product Information

The quality and workmanship of *Ventis Pellet Vent Pipe* is reflected in the recognition Underwriters Laboratories has given these products. The rigorous UL testing and listing requirements are your assurance of consistent quality, in materials and manufacturing standards, used for this chimney system.

In addition, the industry leading Warranty on *Ventis Pellet Vent Pipe* is a further indication of our confidence in the quality of these products. Thank you for choosing Ventis!

The *Ventis Pellet Vent Pipe* is ULC/ORD-C441 listed to 570 degrees or 300 degrees Celsius in 3" (76mm) and 4" (102mm) Diameters.

This product must be installed, by a qualified chimney or venting professional, according to these installation and maintenance instructions. Read through and become familiar with these installation instructions before installing this product. Failure to follow these instructions may void the manufacturer's warranty and the UL listing status of this product.

Codes & Permits

The criteria for installation must be in conformance with the specifications contained in the latest version of the NFPA 211 (Standard for Chimneys, Fireplaces, Vents and Solid Fuel Burning Appliances) and local or state building codes, whichever has jurisdiction. Contact local building or fire officials about restrictions and installation inspection in your area. It may be necessary to obtain permits before installing the chimney system. ALWAYS CONTACT YOUR LOCAL BUILDING OFFICIAL OR FIRE OFFICIAL REGARDING PERMITS, RESTRICTIONS AND INSTALLATION INSPECTIONS IN YOUR AREA.

Product Applications

Ventis Pellet Vent Pipe is tested and listed to ULC/ORD-C441 for venting listed wood or corn pellet fuel fired appliances producing flue gas temperatures between 100 Celsius (212 degrees F) and 300 Celsius (570 degrees F)

General Specifications

Clearances

Ventis Pellet Vent Pipe is listed by Underwriters Laboratories as a vent for listed pellet stoves. The minimum clearance from pellet vent to combustibles is 1" (25.4mm). Never fill any required clearance space with insulation or any other materials.

Installation Preparation

Equipment, Tools and Hardware

Tools: Plumb Bob Reciprocating Saw Keyhole Saw Metal Snips Hammer	Drill Level Tape Measure Caulk Gun Screw Drivers	Equipment: Ladder Safety Glasses Protective Gloves	Hardware: Framing Nails Roofing Nails Silicone Sealant
---	--	--	--

Ventis Pellet Vent Components (Part No.)			
Stove Adapter (VP-SAxx)	Attic Insulation Shield (VP-AISxx)	Ceiling Support - Round (VP-CSRxx)	Ceiling Support - Square (VP-CSSxx)
Wall Support (VP-WSxx)	Masonry Adapter (VP-MAxx)	Elbow – 45 degree (VP-ELxx45)	Elbow - 90 degree (VP-ELxx90)
Firestop/Radiation Shield (VP-FSxx)	Pellet Pipe Lengths (VP-xyyy)	Chimney Adapter (VP-CAxx)	Increaser- 3" to 4" (VP-PSI34)
Tee w/ Tee Cap (VP-Txx)	Stove Adapter Tee w/ Tee Cap (VP-SATxx)	Slip Section (VP-xyyySL)	Replacement Gasket (3" Pellet Gasket)
Roof Flashing – Flat (VP-FxxF)	Roof Flashing - Pitched (VP-Fxxvv)	Storm Collar (VP-SCXX)	Replacement Gasket (4" Pellet Gasket)
Horizontal Cap (VP-HCxx)	Vertical Rain Cap (VP-VCxx)	Wall Pass-Thru (VP-WPTxx)	

Note: xx=diameter; yy=length; vv=pitch

Approved Installations

Use of any parts or materials not specified in this installation manual may not provide a listed system and may void the *Ventis Pellet Vent* warranty. Do not attempt matching Ventis components or pipe sections with another manufacturer's products. Do not use damaged or modified parts.

Safety Considerations

Caution: The ends of the chimney sections, edges of the cap, roof flashings, tee and other components can be sharp! We strongly recommend the use of gloves during installation.

Installation Examples

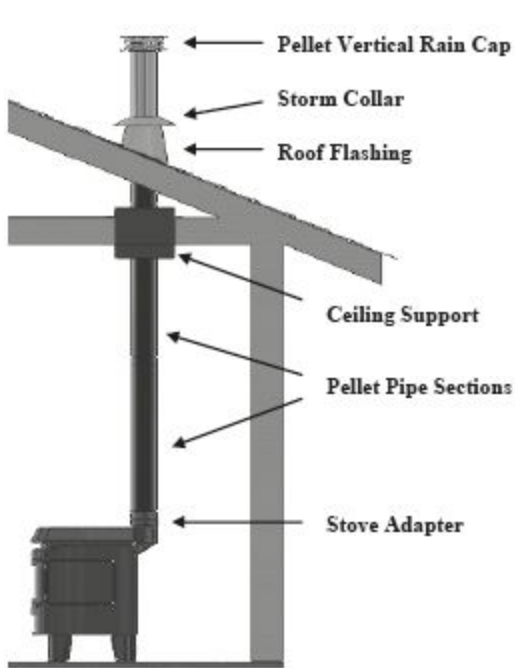


FIG. 1
Ceiling Supported Installation

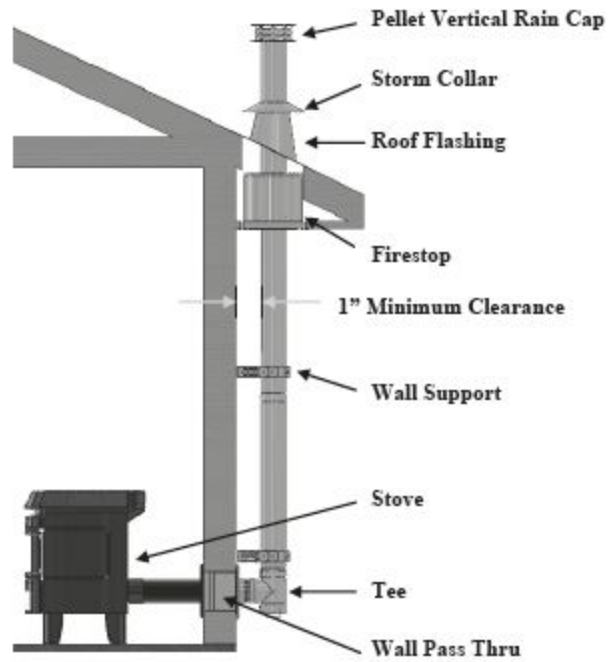
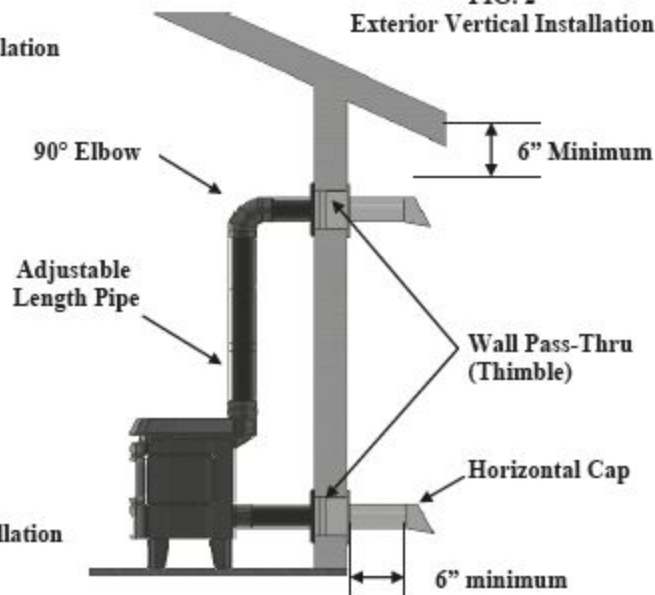


FIG. 2
Exterior Vertical Installation

FIG. 3
Horizontal Installation



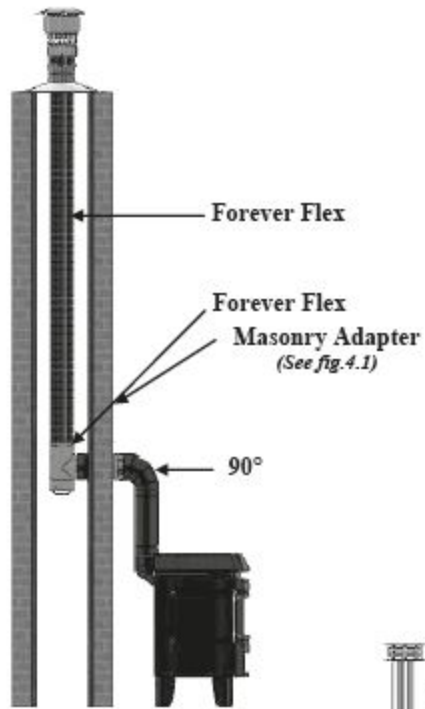


FIG. 4
 Installation through a
 Masonry Chimney

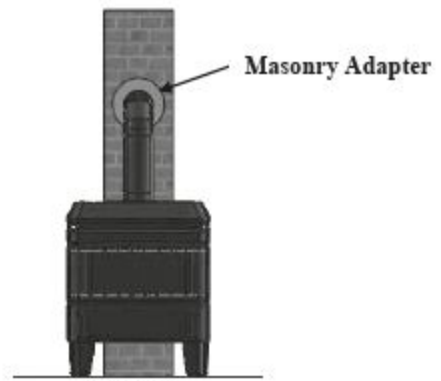


FIG. 4.1
 Installation through a
 Masonry Chimney

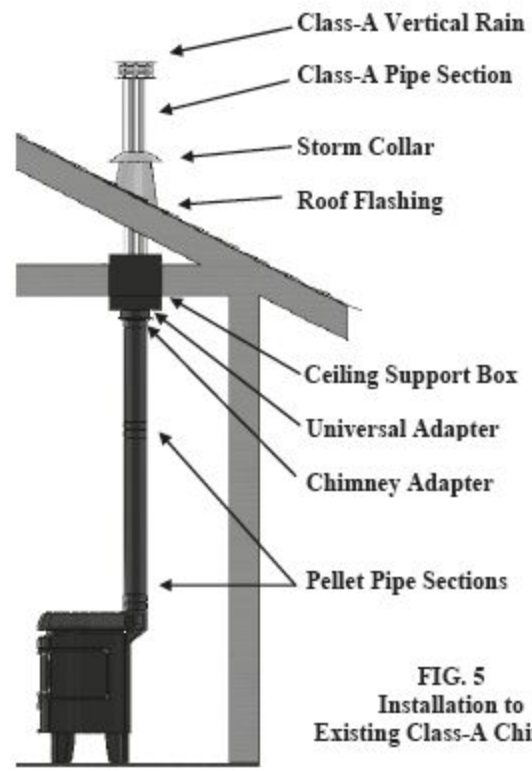


FIG. 5
 Installation to
 Existing Class-A Chimney

Ceiling Supported Installation (See Figure #1)

Step 1- Position appliance: Locate the appliance in accordance with the appliance manufacturer's instructions and clearance/ventilation specifications. Pay particular attention to the outlet flue collar of the appliance and endeavor to position it between the rafters and joists above.

Step 2- Frame ceiling opening: Use a plumb bob from the ceiling to the center of the appliance outlet flue collar and mark this point on the ceiling above. (Refer to table 1 regarding rough framing dimensions for each pellet vent pipe diameter). Mark the ceiling for proper rough opening and cut a hole for the appropriate ceiling support. Frame rough opening.

PIPE SIZE	OPENING
3" PIPE	6-1/2" X 6-1/2"
4" PIPE	7-1/2" X 7-1/2"

Step 3- Ceiling Support Installation: Level the ceiling support into the rough opening and secure to the framing using a minimum of three 8 penny nails or (3) #8 x 1 1/2" wood screws per side. Secure the trim collar using screws supplied with the collar. The ceiling support must extend 3 inches below the ceiling into the room. In most cases, the Support will extend above the roof opening. You can trim the Support to be flush with the roof or slit the corners of the Square Support, fold them down flat against the roof then nail the flaps with one inch roofing nails.

Step 4- Firestops and Attic Insulation Shields: It is significant to note that a firestop is required whenever the pellet vent pipe penetrates a floor or ceiling. To install the Firestop cut a hole in the floor/ceiling and install the Firestop from above or below the joist. Fasten the Firestop with (4 to 8) penny nails or (4) #8 x 1-1/2" wood screws at each corner. An Attic Insulation Shield is required any time the vent is passing through an insulated attic. An Attic Insulation Shield is installed in the same manner as a Firestop but only from the top. A stainless steel collar is included with each Attic Insulation Shield and must be installed around the pipe just above the Attic Insulation Shield. This collar will prevent insulation from coming into contact with the pellet vent pipe.

Step 5- Installing the Pipe: Place the pipe clamp (which comes taped inside of the Support Box) above the top of the hole on the bottom of the Support Box. Connect the required amount of pipe sections to reach the appliance at a point where the cap will be at least 12 inches above the roof line. Place the assembled pipe sections down through the clamp of the support box and connect to the appliance with a Stove Adapter or Stove Adapter Tee by first applying high temperature sealant onto the appliance flue collar and then secure the Stove Adapter with a minimum of (3) #8 x 1/2" self-drilling screws. Adjust the pipe lengths until the pipe is truly

vertical. Tighten the bolt on the pipe clamp. Note the overall length of assembled pellet vent pipe cannot be more than 40 feet. A vent must be enclosed at the proper clearance anytime it passes through an occupied living space above the appliance.

Step 6- Completing the Top Termination: Fasten the Roof Support on each side with four 8-penny nails or four #8 x 1-1/2" wood screws. Use the pivot adjustment on the Roof Support to ensure the pipe is centered through the roof cutout and a minimum of a 1" clearance is maintained around the pipe. Slide the Roof Flashing over the chimney and place the Flashing under the upper shingles and on top of the lower shingles. Nail the Flashing to the roof along the upper edge and down each side with 1-inch roofing nails, but do not nail the lower edge. Seal the nail heads with a water proof silicone sealant. Install a Storm Collar around the pipe and slide it down to fit against the roof flashing. Caulk the joint between the chimney and the Storm Collar with a waterproof silicone sealant. If the vent pipe extends 5 feet or more above the roof, an extended roof brace must be used to provide lateral support. Fit the Vertical Rain Cap to the top of the pipe and attach it by tightening the band clamp.

Exterior Vertical Installation *(See Figure #2)*

Step 1- Position appliance: Locate the appliance in accordance with the appliance manufacturer's instructions and clearance specifications. Pay particular attention to the outlet flue collar of the appliance and endeavor to position it between the wall studs. Install a Stove Adapter or Stove Adapter Tee onto the appliance flue collar.

Step 2- Rough Frame Wall Opening: The wall opening should be centered between two wall studs. To determine the height of the opening it is helpful to preassemble the pipe and fit to the Stove Adapter/Tee. Mark the location on the wall and cut the frame opening. Refer to table 1 for rough opening dimensions.

Step 3- Wall Pass-Thru Installation: A Wall Pass-Thru must be used when the pellet vent pipe passes through a combustible wall. The Wall Pass-Thru consists of three parts: The exterior fire stop section, the adjustable extension, and the interior trim plate. Install the fire stop section on the outside wall with the tube section pointing to the structure interior. It is recommended to seal the outside edges of the fire stop section with a water proof silicone caulk. Secure the fire stop section to the framing with a minimum of four 8-penny nails or four #8 x 1-1/2" wood screws. From the interior, slide the adjustable extension onto the fire stop section tube. Adjust the extension so that it will be flush with the interior trim plate once installed. Use a minimum of three self drilling screws to secure the adjustable extension to the fire stop tube. Insert the first pipe section through the Wall Pass-Thru and connect its female end to the Stove Adapter or Stove Adapter Tee by first applying high temperature sealant onto the appliance flue collar and then secure the Stove Adapter with a minimum of (3) #8 x 1/2" self-drilling screws.

Step 4- Pipe Installation: Install a Tee to the vent penetrating the wall. Install pipe sections vertically up the wall, ensuring to maintain a minimum of a 1" clearance between the wall and the pellet vent pipe. Secure all pipe sections together by tightening the band clamp on the outer

female pipe. A Wall Support must be installed just above the tee and at least every 8 feet thereafter. If the pipe is to be run through a roof overhang then a Flashing, Storm Collar and Vertical Rain Cap must be used. The Vertical Rain Cap must be installed at a minimum of 24 inches above the roof.

Horizontal Installation (See Figure #3)

Typical Pellet Vent Horizontal installations are shown in Figures 3. When selecting the location for an appliance and venting pipe it is necessary to take into account the rules of NFPA 211

Codes: Refer to NFPA 211 for rules for the distance of exit terminal from windows and openings. The exit terminal of a mechanical draft system, other than a direct vent appliance shall be located in accordance with the following:

1. Not less than 3 feet (1 meter) above any forced air inlet located within 10 feet (3 meters).
2. Not less than 4 feet below (1.2 meters), 4 feet (1.2 meters) horizontally from or 1 foot (300mm) above any door, window, or gravity air inlet into any building, and;
3. Not less than 2 feet (600mm) from an adjacent building and not less than 7 feet (2 meters) above grade when located adjacent to public walk ways.
4. Cannot be located less than 12 inches (300mm) above grade.
5. Cannot be located above a gas meter/regulator within 3 feet (900mm) horizontally of the vertical center line of the regulator.
6. Not within 6 feet (1.8 meters) of a gas service regulator vent outlet.

Step 1- Position appliance: Locate the appliance in accordance with the appliance manufacturer's instructions and clearance specifications. The outlet centerline of the stove must be a minimum of 18" from the wall (*It is significant to note that some appliances may be listed with a clearance that is less than 18"; in this scenario the appliance still must be located 18" from the combustible wall*). Pay particular attention to the outlet flue collar of the appliance and endeavor to position it between the wall studs. Install a Stove Adapter or Stove Adapter Tee by first applying high temperature sealant onto the appliance flue collar and then secure the Stove Adapter with a minimum of (3) #8 x ½" self-drilling screws

Step 2- Rough Frame Wall Opening: The wall opening should be centered between two wall studs. To determine the height of the opening it is helpful to preassemble the pipe and fit to the Stove Adapter/Tee. Mark the location on the wall. Cut and frame the opening. Refer to table 1 for rough opening dimensions.

Step 3- Wall Pass-Thru Installation: A Wall Pass-Thru must be used when the pellet vent pipe passes through a combustible wall. The Wall Pass-Thru consists of three parts: The exterior fire stop section, the adjustable extension, and the interior trim plate. Install the fire stop

section on the outside wall with the tube section pointing to the structure interior. It is recommended to seal the outside edges of the fire stop section with a water proof silicone caulk. Secure the fire stop section to the framing with a minimum of four to 8- penny nails or four #8 x 1-1/2" wood screws. From the interior, slide the adjustable extension onto the fire stop section tube. Adjust the extension so that it will be flush with the interior trim plate once installed. Use a minimum of three self drilling screws to secure the adjustable extension to the fire stop tube.

Step 4- Pipe Installation: Insert the first pipe section through the Wall Pass-Thru and connect its female end to the Stove Adapter with a minimum of (3) #8 x 1/2" self-drilling screws. Attach sufficient pipe to extend 6" beyond the exterior wall. All pipe sections must be secured by tightening the band clamp located on the female end of the outer pipe.

Step 5- Install Cap: Follow the above listed NFPA rules for distance of exit terminal from windows and openings. Attach a Horizontal Cap by tightening the band clamp around the last section of pipe. The cap must be at least 6" from the wall.

Installation through a Masonry Chimney *(See Figure 4)*

Step 1- Position appliance: Locate the appliance in accordance with the appliance manufacturer's instructions and clearance specifications. Mark the center of the hole where the pipe is to penetrate the masonry chimney.

Step 2- Prepare the wall opening: If the masonry chimney has an existing 6" terra cotta thimble, please skip to step #3. It will be necessary to break out the masonry around the location of the pipe center line mark to a diameter 6 inches.

Step 3- Attach the Masonry Adapter: Attach the interior side of the Masonry Adapter to the take-off on the Forever Flex Tee (TLF4). Place the take-off through the hole in the masonry chimney and attach the clamping band from the take-off around the body of the pre-installed tee/flexible liner system. The Masonry Adapter should now be flush with the exterior side of the chimney.

Step 4- Pipe Installation: Install a Stove Adapter or Stove Adapter Tee by first applying high temperature sealant onto the appliance flue collar and then secure the Stove Adapter with a minimum of (3) #8 x 1/2" self-drilling screws. Connect sections of pipe together using the band clamp located on the female side of the outer pipe. A 90 degree elbow will be utilized to turn the pipe into the horizontal position. An adjustable slip section pipe can now be used to connect from the elbow to the Masonry Adapter.

Installation to an Existing Ventis Class-A Factory Built Chimney *(See Figure 5)*

This type of installation is for connecting Ventis Pellet Vent Pipe to an existing ceiling supported Ventis Class 'A' Chimney.

Step 1- Inspection: Remove any existing connector pipe from the appliance to the Universal Adapter that is already installed in the Support Box. Visually inspect the interior of the Class 'A' chimney for cleanliness and structural integrity. All creosote must be removed from the existing chimney prior to connecting the pellet vent pipe.

Step 2- Install Adapter: Install the appropriate sized Class 'A' Chimney Adapter (5", 6", 7", or 8"). The Chimney Adapter will be connected to the Universal Adapter by a minimum of three #8 x 1/2" self-drilling screws.

Step 3- Pipe Installation: Install Stove Adapter or Stove Adapter Tee by first applying high temperature sealant onto the appliance flue collar and then secure the Stove Adapter with a minimum of (3) #8 x 1/2" self-drilling screws. Connect sections of pipe together using the band clamp located on the female side of the outer pipe. An Adjustable Length Pipe (Slip Section) can now be used to connect from the last standard pipe to the Universal adapter.

Maintenance Instructions

This pellet vent system must be installed and serviced by a qualified chimney or venting professional. The criteria for the inspection and maintenance must be in conformance with local or state building codes, whichever has jurisdiction. It is recommended you use an inspection form and make notes that you can review with the homeowner.

Maintenance Procedures

It is important that this venting system is checked and cleaned annually. This is for the safety of the homeowner and is necessary to meet the warranty requirements of Ventis Pellet Vent Pipe. During the heating season the venting system should be inspected for build-up at least once every two months. If a build-up has accumulated, it should be removed immediately to reduce the risk of a chimney fire.

To clean the venting system it is recommended to perform the following:

1. Remove the Cap by loosening the band clamp.
2. Select the proper sized plastic chimney brush to clean the chimney.
3. In some instances, proper cleaning will require removing the appliance and disassembling the connector assembly to thoroughly inspect and clean parts that cannot be reached otherwise.
4. Inspect and clean the Chimney Cap by loosening the clamp band. Spark arrestors and other screens may be necessary or required in some areas, but may be susceptible to blockage from fly ash or through freezing moisture in areas of low ambient temperature.
5. Reinstall the Chimney Cap.
6. Before the initial firing of the appliance, check the appliance's operating instructions for initial firing precautions.

LIMITED *LIFETIME WARRANTY*

Ventis Pellet Vent Pipe is designed to vent listed Pellet Stoves.

Limited Warranty Coverage

Olympia Chimney Supply, Inc warrants to you (the "purchaser") that for the period set forth below, the *VENTIS PELLETT VENT PIPE AND COMPONENTS* when used according to the specifications set forth in the Warranty & Installation instructions; and, if properly installed, maintained and used shall be free from defects in material or manufacturer's workmanship. This warranty provides for the replacement of any system components damaged during normal use on a residential pellet stove. It does not provide a cash surrender value or reimbursement for expenses associated with damage caused to the structure by misuse of the vent system or any components or parts not manufactured by Olympia Chimney Supply Inc.

Warranty Period

The benefits of this warranty shall apply to you (the "purchaser") for a period of 25 years from the date of installation provided that you continue to own your home where the Ventis Pellet Vent is installed. The silicone gasket has a lifetime full replacement warranty.

Warranty Conditions and Limitations

You may register your Ventis Pellet Vent System online at www.olympiachimney.com within 60 days of your system being installed. The *VENTIS PELLETT VENT* warranty is subject to the following conditions: 1) installation of the pipe and components must be in accordance with the manufacturer's written instructions; 2) the product must be used only for the listed pellet stoves 3) the *VENTIS PELLETT VENT* system must be cleaned and inspected on an annual basis by an experienced chimney professional, (i.e., at intervals of no more than 18 months each, commencing from the date of purchase). *Receipts verifying the annual maintenance was performed must also be retained*; 4) Plastic bristle flue-cleaning brushes are recommended; 5) the system must have a cap installed.

Claim Process and Limitations of Liability

You may make a claim under this warranty by giving notice to your chimney professional and having your chimney professional provide information about the claim to Olympia Chimney Supply. Upon approval of your claim, Olympia Chimney Supply shall provide new *VENTIS PELLETT VENT* pipe and components to you as your exclusive remedy.

Olympia Chimney Supply, Inc does not assume any liability or responsibility for faulty installation of the liner or components, or for defective materials not supplied by it.

Neither Olympia Chimney Supply nor the installer of the *VENTIS PELLETT VENT* system shall be liable for any removal or installation charges or for any special, incidental, or consequential damages in any way related to, the *VENTIS PELLETT VENT* pipe. This warranty gives you specific legal rights, and you may also have other rights, which vary from state to state. Some states do not allow the exclusion or limitations of incidental or consequential damages, so the above limitations or exclusions may not apply to you.