

BirdDock

Smart Bird Feeder User Manual

Warning

Note: This device complies with part 15 of the FCC Rules.

Operation is subject to the following two conditions:

- (1) This device may not cause harmful interference, and
- (2) this device must accept any interference received, including interference that may cause undesired operation.

The manufacturer is not responsible for any radio or TV interference caused by unauthorized modifications or change to this equipment. Such modifications or change could void the user's authority to operate the equipment.

This equipment has been tested and found to comply with the limits for a Class B digital device, pursuant to part 15 of the FCC Rules. These limits are designed to provide reasonable protection against harmful interference in a residential installation. This equipment generates, uses and can radiate radio frequency energy and, if not installed and used in accordance with the instructions, may cause harmful interference to radio communications. However, there is no guarantee that interference will not occur in a particular installation. If this equipment does cause harmful interference to radio or television reception, which can be determined by turning the equipment off and on.

The user is encouraged to try to correct the interference by one or more of the following measures:

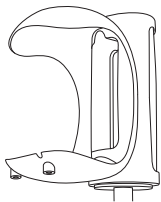
- Reorient or relocate the receiving antenna.
- Increase the separation between the equipment and receiver.
- Connect the equipment into an outlet on a circuit different from that to which the receiver is connected.
- Consult the dealer or an experienced radio/TV technician for help.

To maintain compliance with FCC's RF exposure guidelines, this equipment should be installed and operated with a minimum distance of 20cm between the radiator and your body.

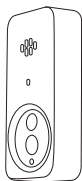
Catalogo

1. What's In The Box	P. 1-2
2. Accessories can be purchased separately.....	P. 3
3. Smart Bird Feeder Camera Structure	P. 4-5
4. Battery Charging	P. 6
5. How to Turn on & Turn off The Camera	P. 7
6. Read Before Installation	P. 8
7. Set Up With Birdock App.....	P. 9
8. Assemble Bird Feeder	P. 10
9. Assemble Camera	P. 11
10. Wall Installation	P. 12-14
11. Strap Installation	P. 15-16
12. Hose Clip Installation	P. 17-18
13. Pole Installation	P. 19
14. Anti-Squirrel Baffle Installation	P. 20-21
15. Plug In Solar Panel	P. 22-23
16. Cleaning Bird Feeder	P. 24-25
17. APP Instruction	P. 26-27

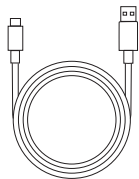
What's In The Box



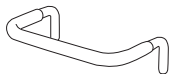
Bird Feeder



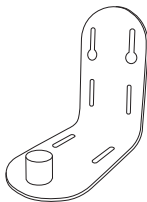
Camera



Type C Power Cable



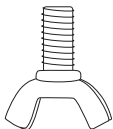
Perch



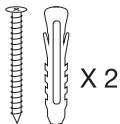
Mounting Bracket



User Manual



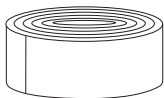
Bracket Screw



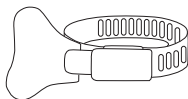
Mounting Screws
Anchors



Screw Driver

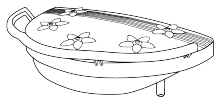


Black Strap

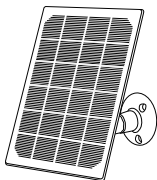


Hose Clip

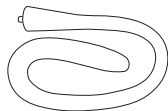
Accessories can be purchased separately



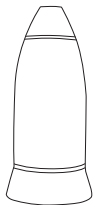
Hummingbird
Feeder attachment



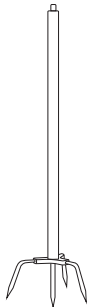
Solar Panel



Solar Panel
Silicone Holder

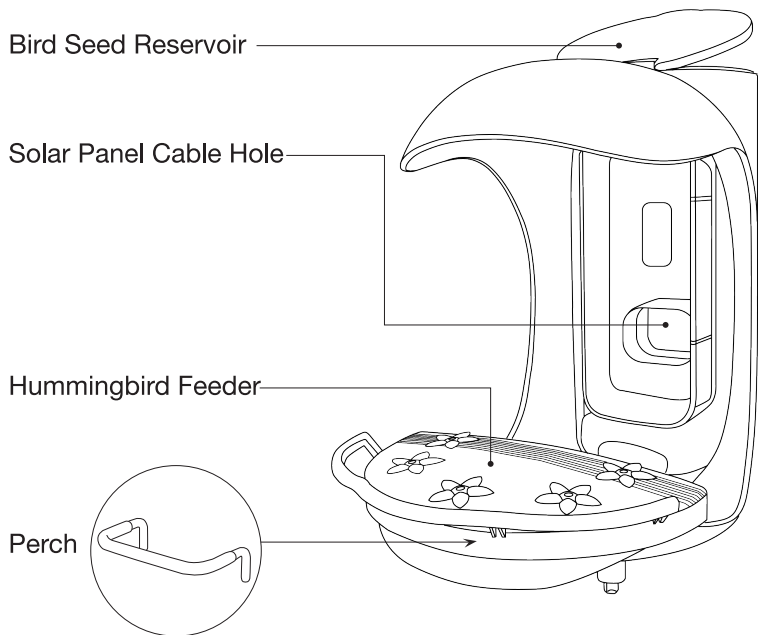


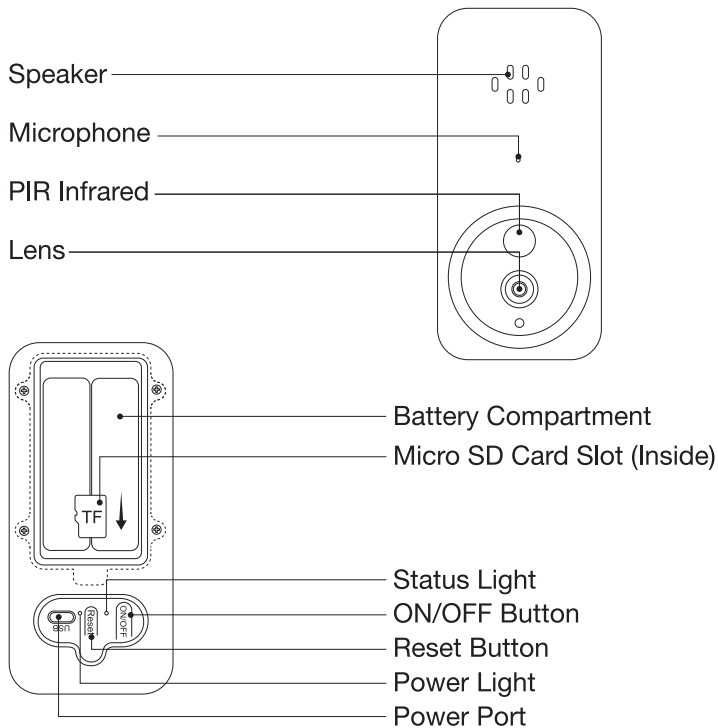
Anti-Squirrel Baffle



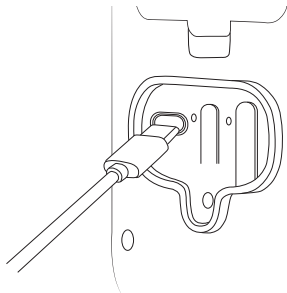
pole

Smart Bird Feeder Camera Structure





Battery Charging



The Batteries inside the camera are not fully charged according to the transportation safety regulation. Please fully charge the camera before using it. Please charge the batteries with provided Type C Port Cable (adapter not included).

Note

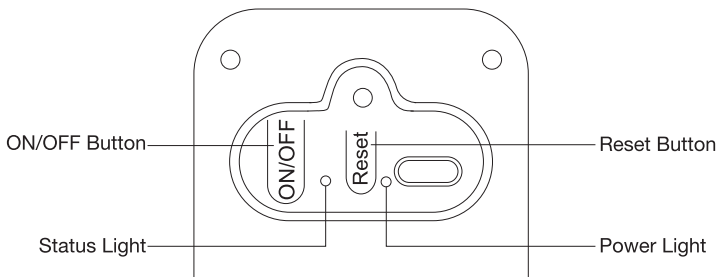
Please turn off the camera before charging.

The power light will be in solid red; and will turn to solid green when fully charged. It takes about 8 hours to fully charge your camera.

How to Turn On & Off The Camera

To turn on the camera

Long Press the ON/OFF button for 2s to turn on the camera. Then the Status Light beside the button will be in flashing blue and the camera will prompt “Welcome to use the smart bird feeder”.



To turn off the camera

Long press the ON/OFF button for 2s to turn off the camera. Then the Status Light beside the button will be off.

Read Before Installation

1. Keep Smart Bird Feeder and all accessories out of reach of children and pets.
2. Make sure the camera has been fully charged.
3. Working temperature: -15°C to 49°C (5°F to 120°F)
4. Please do not expose the camera lens to direct sunlight.
5. The camera has a waterproof setting, which supports working properly under rain or snow. But it can not be soaked in water.

Note

1. Smart Bird Feeder Cam only works with 2.4GHz Wi-Fi (Does not support 5.0GHz WiFi).
2. Strong lights may interfere with the device's ability to scan QR code.
3. Avoid placing the device behind furniture or near microwave products. Try to keep it within range of your Wi-Fi signal.

Set Up With Birdock App

Step 1

Download Birdock App from App Store or Google Play. Follow the in-app instruction to complete the entire set up process until the QR code shows up.

Step 2

Camera Prep

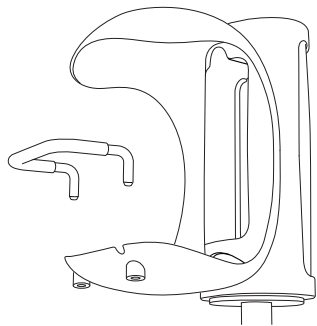
1. Turn on the camera.
2. Press the Reset Button twice in succession.
3. It will Prompt: “Please use the smart bird feeder to scan the QR code on the screen.”

Step 3

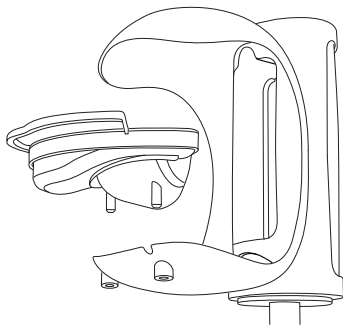
Use the camera to scan the QR code on the Birdock App page. There will be an indication of the successful connection.



Assemble Bird Feeder



①

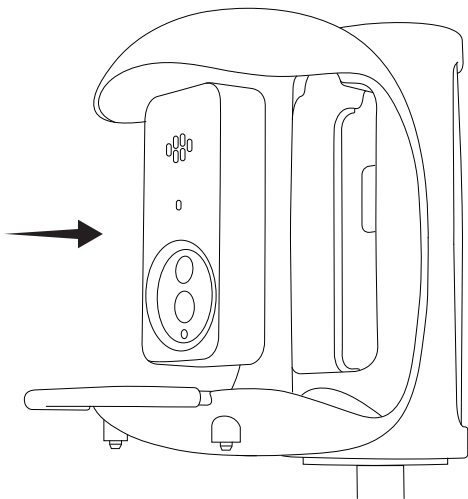


②

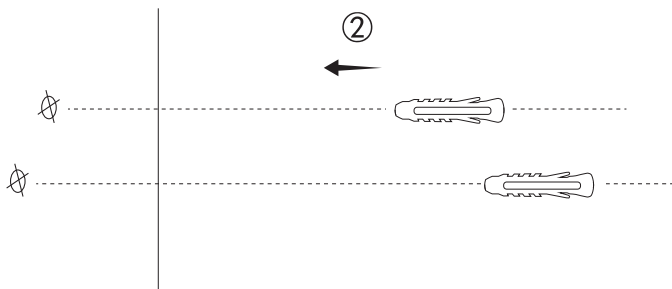
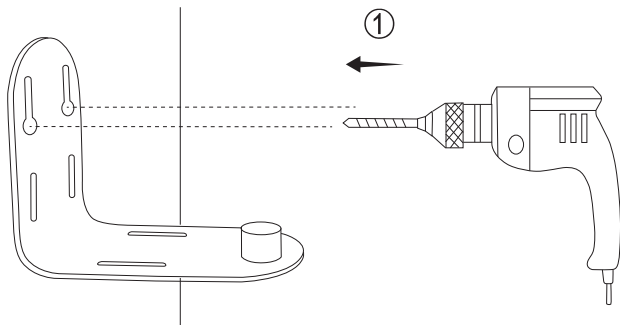
① Assemble Perch.

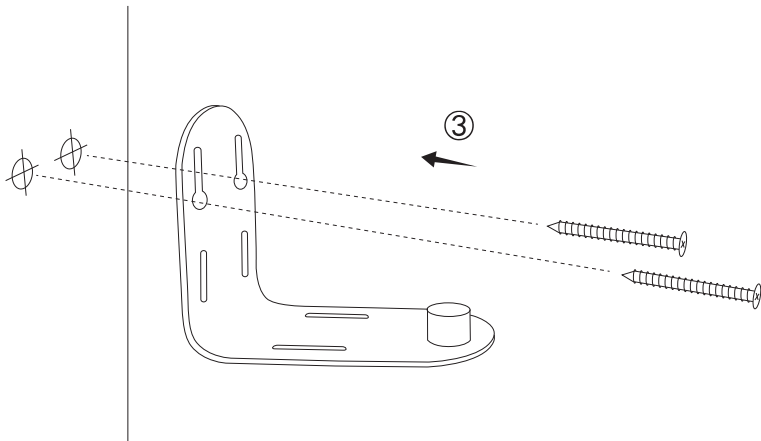
② Assemble The Hummingbird Feeder Attachment.

Assemble Camera



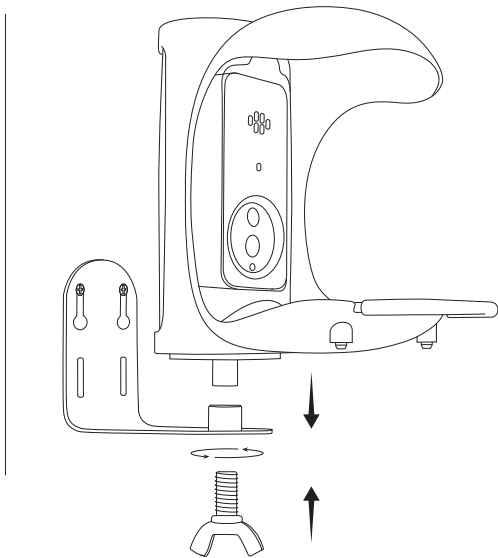
Wall Installation





Step 1

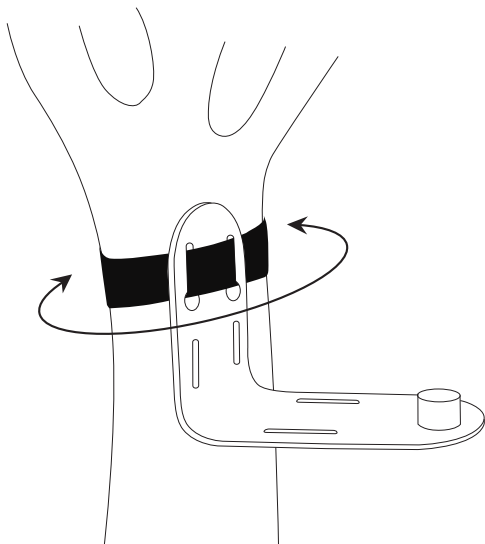
1. Use a drill bit to drill two holes in your wall.
2. Install the anchors to fix the screws. (Install on wood or tree skip this step.)
3. Install the Mounting Bracket on your wall with the screws provided.



Step 2

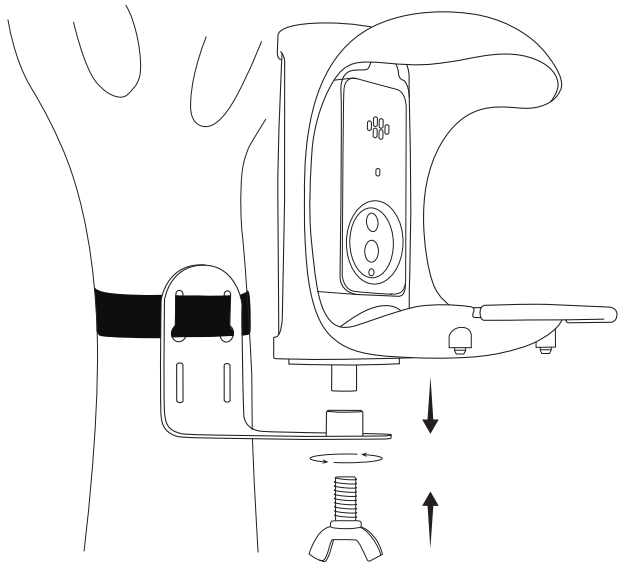
1. Put the Bird Feeder on the bracket.
2. Use the bracket screw to fix it.

Strap Installation



Step 1

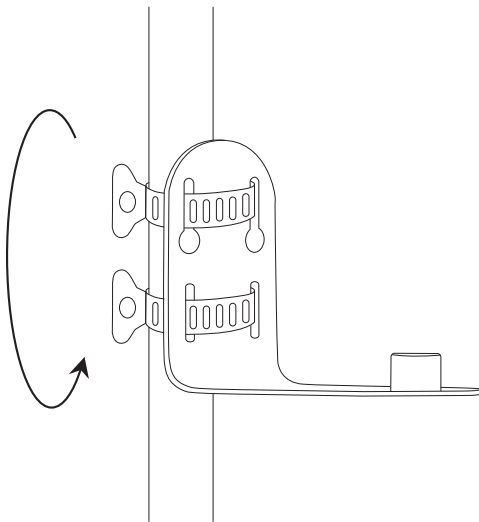
Wrap the Mounting Bracket around the tree with the Black Strap.



Step 2

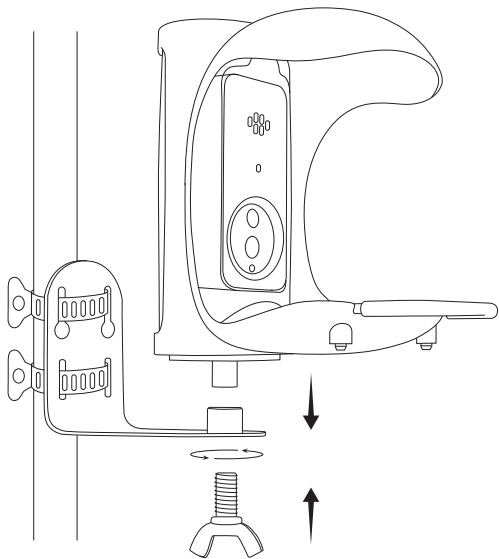
Install the bird feeder on the mounting bracket.

Hose Clip Installation



Step 1

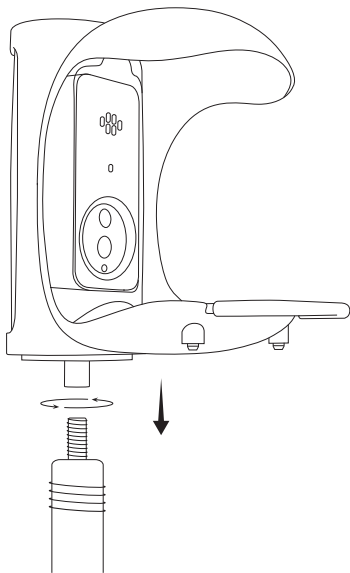
Attach the bracket to the pole with the hose clip.



Step 2

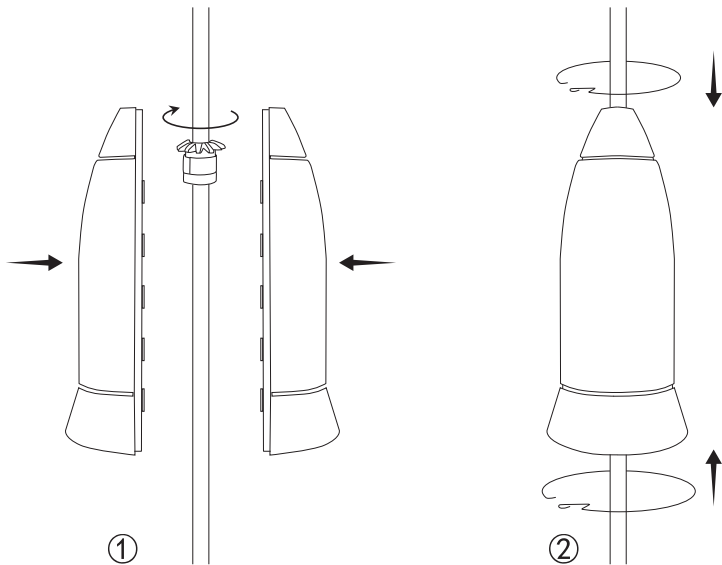
Install the bird feeder on the bracket.

Pole Installation

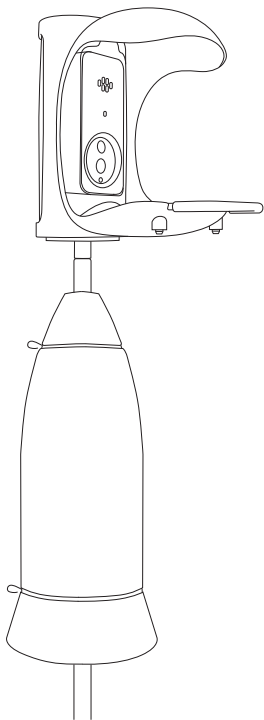


Screw the bird feeder directly on the pole (not included).

Anti-Squirrel Baffle Installation

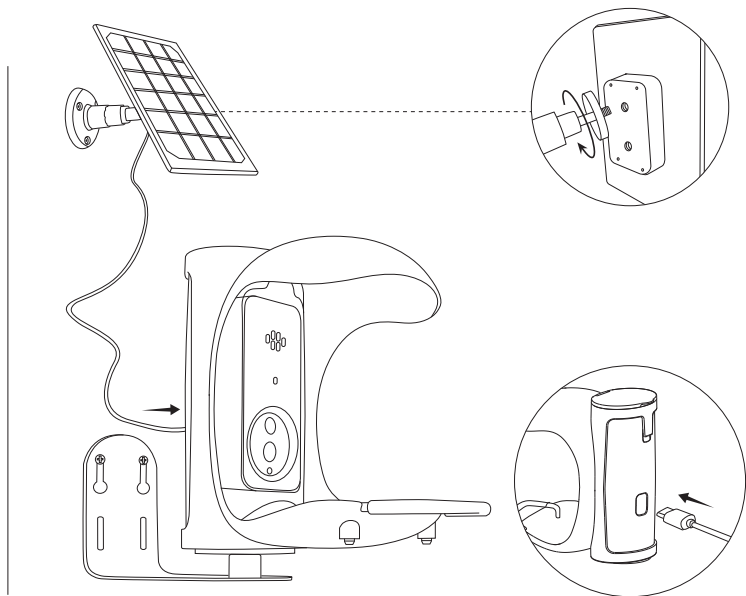


- ① Put the two parts together.
- ② Secure the top and bottom ends with rings.

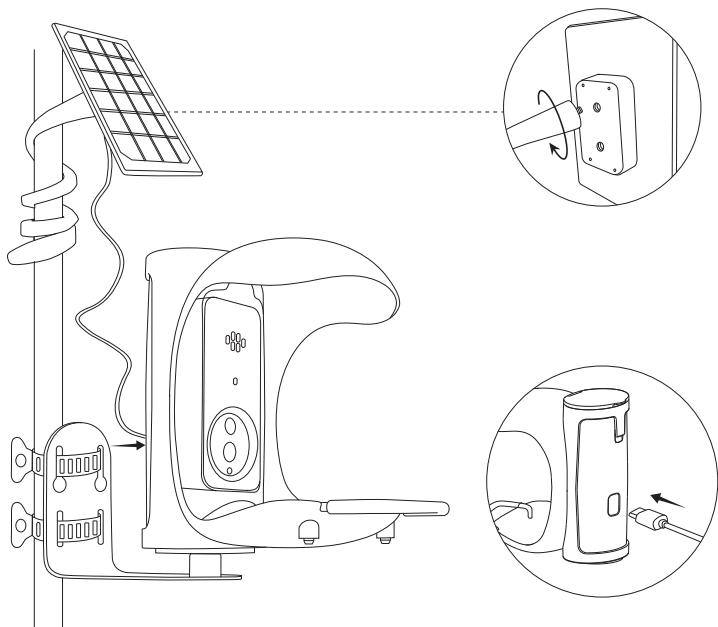


Plug In Solar Panel

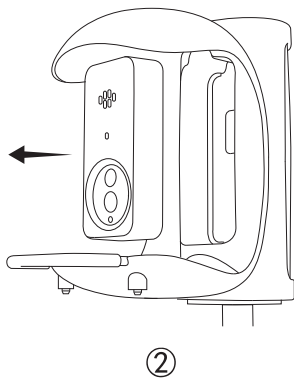
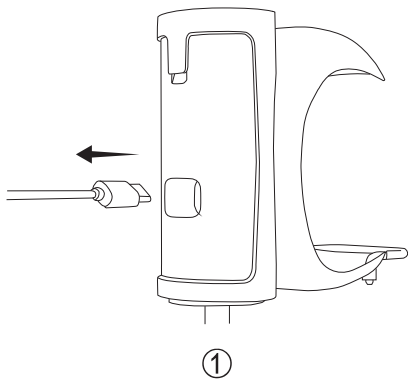
Mounting Method 1



Mounting Method 2

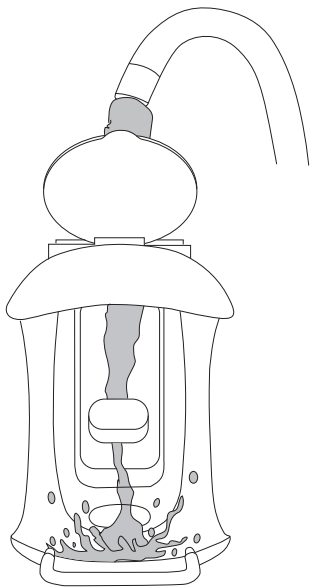


Cleaning Bird Feeder



Step 1

1. Unplug the charging cable and insert the silicone plug.
2. Remove the camera.



Step 2

1. Pour water into the top of the seed container. Clean and dry the feeder, including the seed reservoir.
2. Simply install it back the way you found it.

APP Instruction

Device

- ☁ Cloud Storage
- 📄 TF Card Recording
- ➔ Share
- ⚙ Setting

Vistor

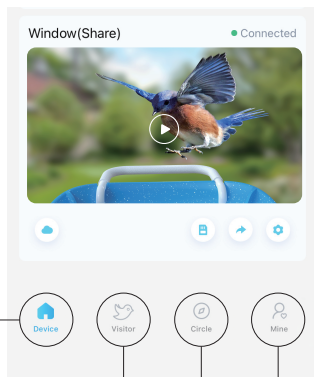
Bird coming records, you can click and get in to see the playback video and share to Circle


Circle

You can see bird pictures shared by other Birdock Users. You can also “like” and “remark” them

Mine

You can check your App version here and submit your feedback about the App. If you need any help, you can also contact our service team in here



 Voice: OFF/ON

 Video Definition: HD/SD

 Full Screen



Video



Screenshot



Alert



Album

Video

Record Video

Screenshot

Screenshot Bird Picture

Alert

Squirrel Repelling

Recognition

You can upload bird pictures to recognize the bird species

Album

Check the pictures and videos you downloaded



BirdDock Web Client

Learn more on mybirddock.com

Feel free to contact us for additional help



BirdDock@outlook.com

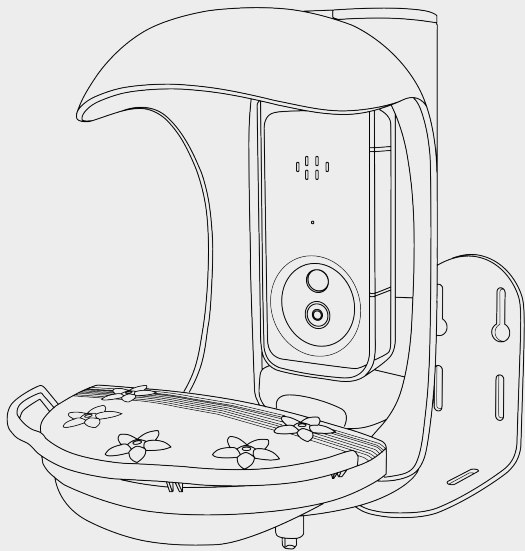


844-544-BIRD (2473)



In-App Chat





BirdDock

Smart Bird Feeder User Manual