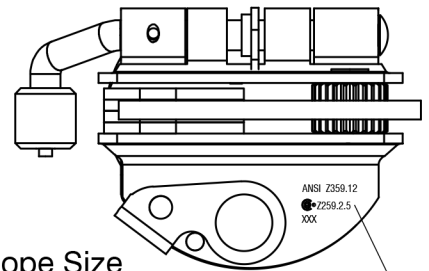
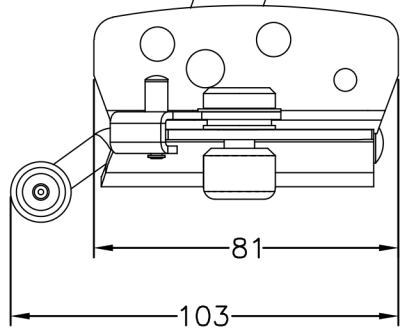
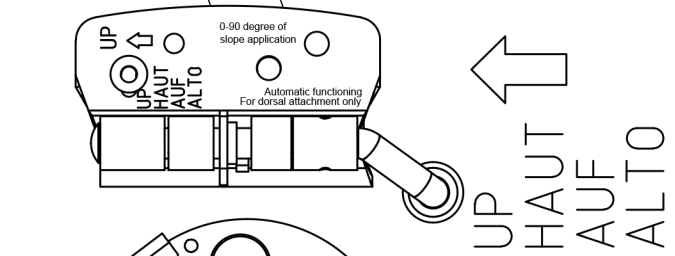
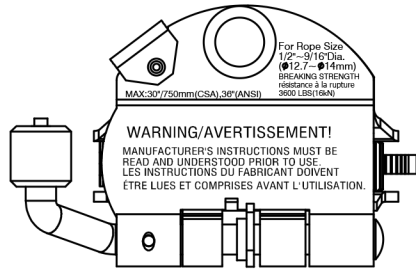
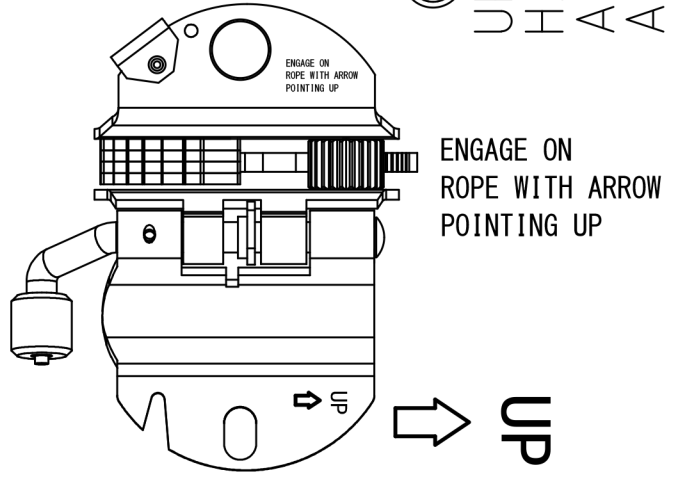


www.stksupply.com
 (+57) 320 766 9986



For Rope Size
 1/2"~9/16"Dia.
 (Ø12.7~Ø14mm)
 BREAKING STRENGTH
 résistance à la rupture
 3600 LBS(16kN)

ANSI Z359.12
 Z259.2.5
 XXX



N.W. 0.6 Kg
 (DIMENSION IN MM)

△			
SYM.	REVISION DESCRIPTION	DATE	REVISION BY

YOKE [®] INDUSTRIAL CORP. #39, 33rd Road, Taichung Industrial Park, Taichung 407, Taiwan, R.O.C. Tel: +886-4-350-8088 Fax: +886-4-350-1001	DRAWING NAME	Panic Rope Grab						
	MATERIAL	Stainless Steel	DRAWING BY	Wei	DRAWING DATE	2012/07/24	EDITION	1
	FINISH	Polished	CHECKED BY		APPROVED BY		REVISION DATE	
	MINI. BREAK	3600LBS/16kN	SCALE	1:2	DRAWING NUMBER	N-616		