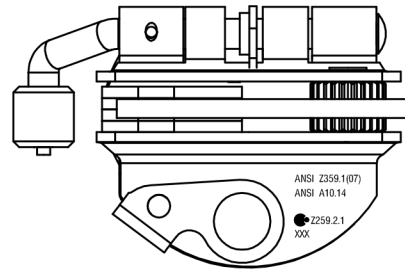




ANSI Z359.1(07)
ANSI A10.14

CS® Z259.2.1
XXX

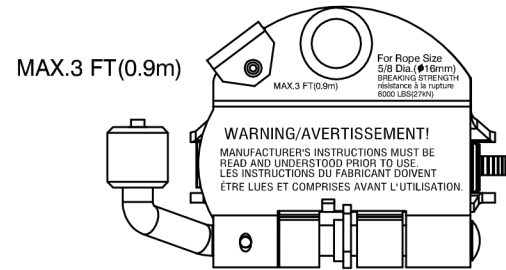
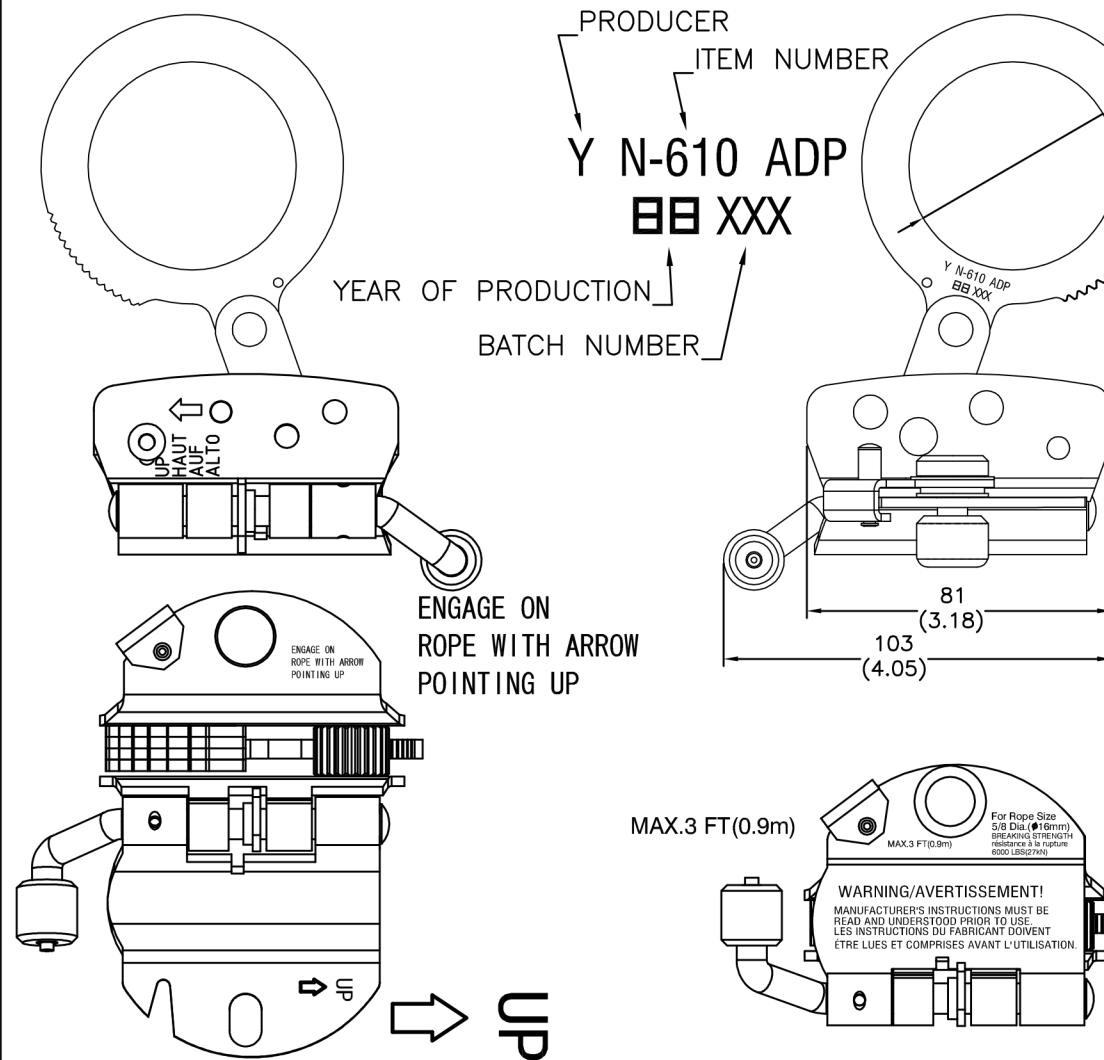


For Rope Size
5/8 Dia. (φ16mm) www.stksupply.com
BREAKING STRENGTH [\(+57\) 320 766 9986](tel:+573207669986)
résistance à la rupture
6000 LBS(27kN)

WARNING/AVERTISSEMENT!

MANUFACTURER'S INSTRUCTIONS MUST BE
READ AND UNDERSTOOD PRIOR TO USE.
LES INSTRUCTIONS DU FABRICANT DOIVENT
ÊTRE LUES ET COMPRISES AVANT L'UTILISATION.

N.W. 0.57 kg
(DIMENSION IN $\frac{MM}{INCH}$)



UP

△	Update	14.08.20	Wei
SYM.	REVISION DESCRIPTION	DATE	REVISION BY

YOKE INDUSTRIAL CORP. #39, 33rd Road, Taichung Industrial Park, Taichung 407, Taiwan, R.O.C. Tel: +886-4-2350-8088 Fax: +886-4-2350-1001	DRAWING NAME	OPEN TYPE ROPE GRAB						
	MATERIAL	STAINLESS	DRAWING BY	Wei	DRAWING DATE	2012/05/23	EDITION	3
	FINISH	polished	CHECKED BY		APPROVED BY		REVISION DATE	
	MINI. BREAK	3600lbs/16kN	SCALE	1:2	DRAWING NUMBER	N-610		