

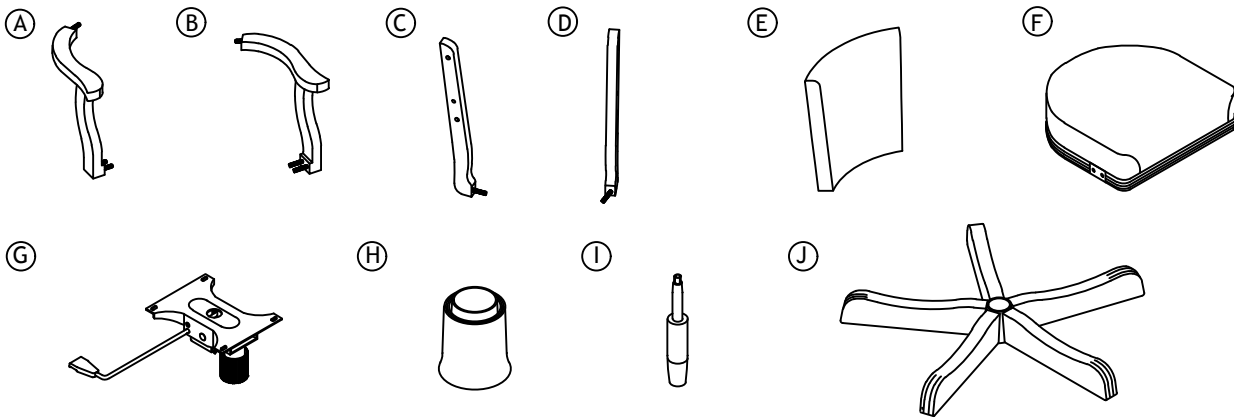
# ASSEMBLY INSTRUCTIONS

MODEL:GCHR2 - SWIVEL GAME CHAIR

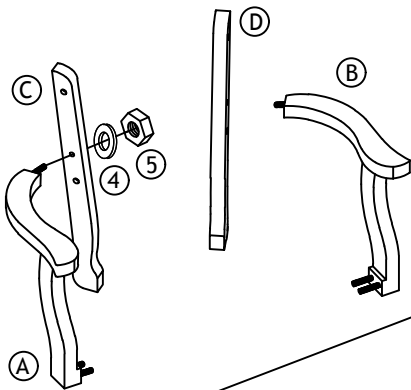
Read this instruction carefully.Refer hardware and furniture parts list for guidance.Be sure all parts are complete,before assembling.Place all wooden furniture part on a clean and flat soft surface to prevent scratches.Refer steps provided as assembling guide

PART LIST		
ITEM	DESCRIPTION	QTY
A	Right chair arm	1PC
B	Left chair arm	1PC
C	Right back support bar	1PC
D	Left back support bar	1PC
E	Back Cushion	1PC
F	Seat	1PC
G	Seat Plate	1PC
H	Plastic Cover	1PC
I	Supporting Bar	1PC
J	Base	1PC

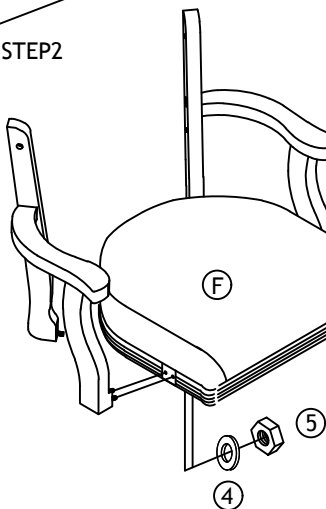
HARDWARE LIST		
ITEM	DESCRIPTION	QTY
1	Screw (1/4"*40MM)	4PCS
2	Screw (1/4"*25MM)	4PCS
3	Metal Washers (Dia 12mm)	4PCS
4	Metal Washers (Dia 16mm)	12PCS
5	Hex Nuts	8PCS
6	Wood Plugs	4PCS
7	Caster	5PCS
8	Allen Wrench	1PC



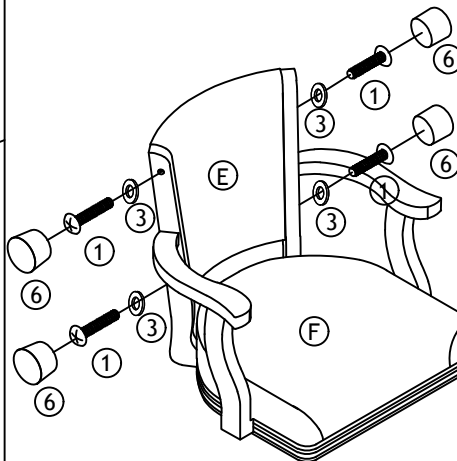
STEP1



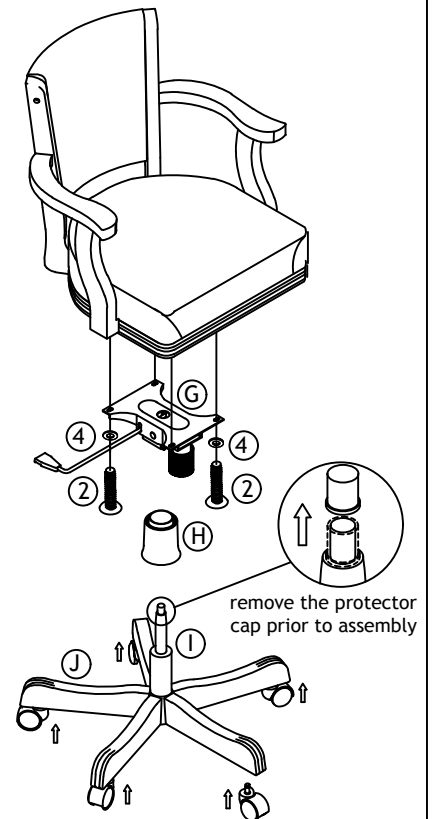
STEP2



STEP3



STEP4



COMPLETED ASSEMBLY