

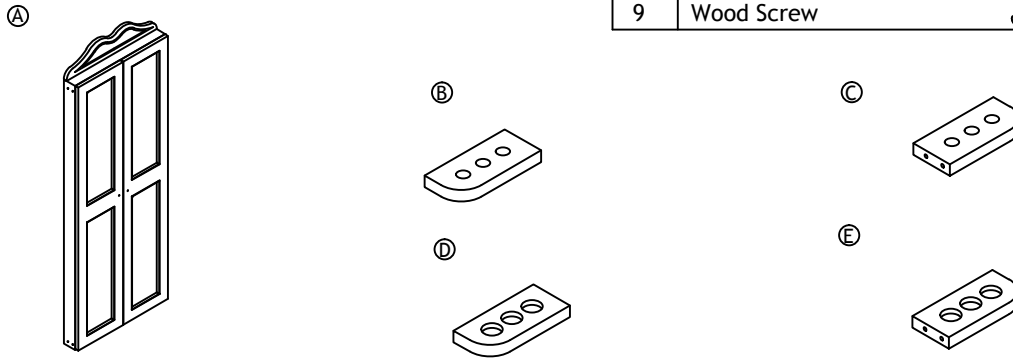
# ASSEMBLY INSTRUCTIONS

MODEL:DCAB2 - DARTBOARD CABINET CUE HOLDER

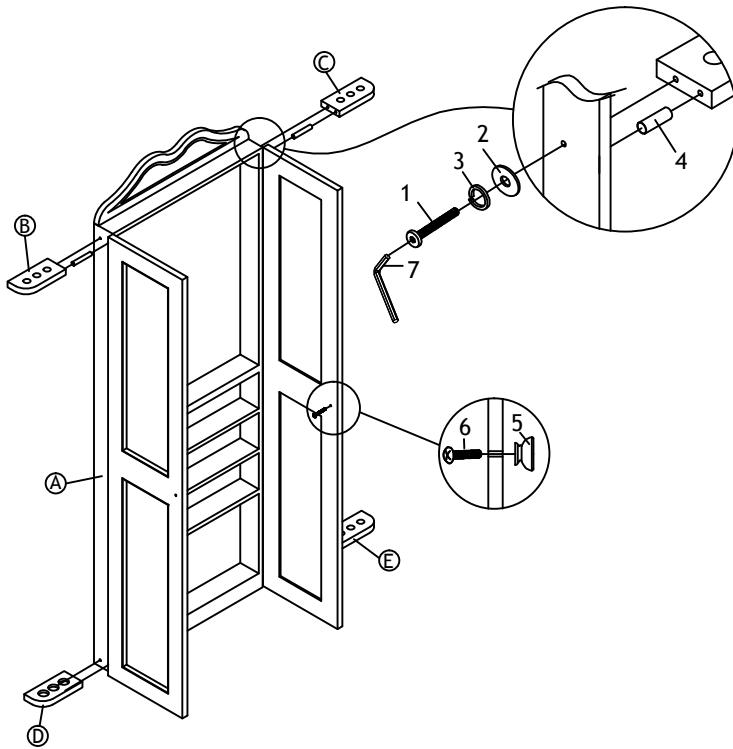
Read this instruction carefully.Refer hardware and furniture parts list for guidance.Be sure all parts are complete,before assembling.Place all wooden furniture part on a clean and flat soft surface to prevent scratches.Refer steps provided as assembling guide

PART LIST		
ITEM	DESCRIPTION	QTY
A	Dartboard Cabinet Cue Holder	1PC
B	Left Cue Holder Top	1PC
C	Right Cue Holder Top	1PC
D	Left Cue Holder Base	1PC
E	Right Cue Holder Base	1PC

HARDWARE LIST		
ITEM	DESCRIPTION	QTY
1	Bolt (5/16 " * 1-1/4")	4PCS
2	Metal Washers (Dia 16mm)	4PCS
3	Lock Washers (Dia 5/16")	4PCS
4	Wood Dowel	4PCS
5	Knob	2PCS
6	Screw	2PCS
7	Allen Wrench	1PC
8	Plastic Socket	2PCS
9	Wood Screw	2PCS



STEP 1:



STEP 2:

