

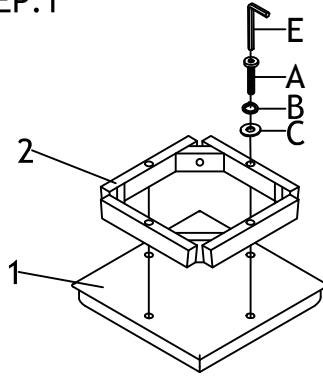
ASSEMBLY INSTRUCTIONS

MODEL:BSTL4

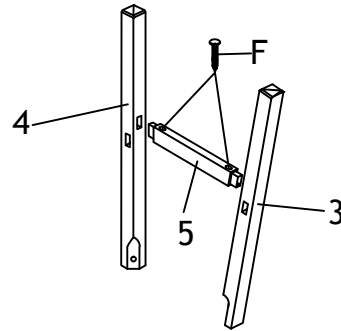
Part List		
ITEM	DESCRIPTION	QTY
1	Seat	1PC
2	Apron	1PC
3	Right Leg	2PC
4	Left Leg	2PC
5	Side Bar	2PC
6	Foot Rail	2PC

Hardware List		
ITEM	DESCRIPTION	QTY
A	Bolt (1/4"x1-3/4")	8PCS
B	Lock Washers(1/4")	8PCS
C	Washers (1/4"x12MM)	4PCS
D	Washers (1/4"x19MM)	4PCS
E	Allen Wrench	1PC
F	Screw	8PCS

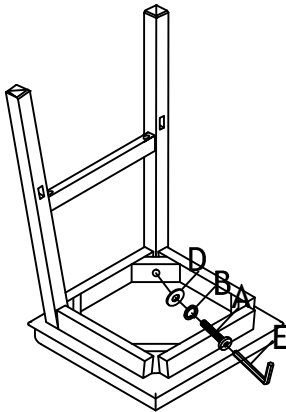
STEP:1



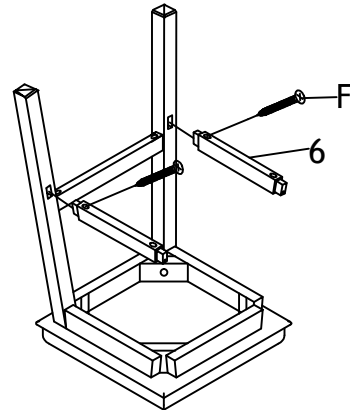
STEP:2



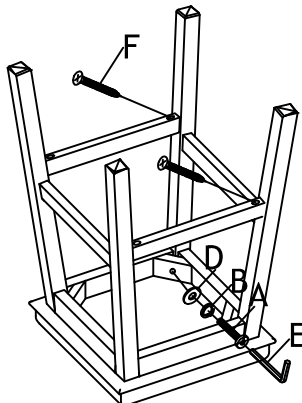
STEP:3



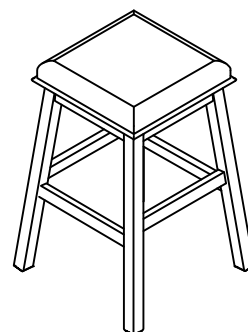
STEP:4



STEP:5



STEP:6



COMPLETED ASSEMBLY