

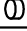


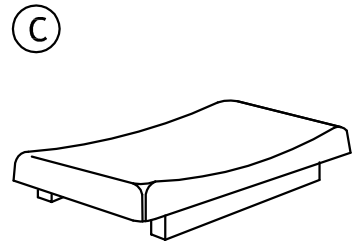
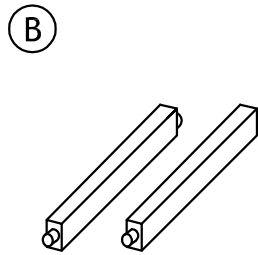
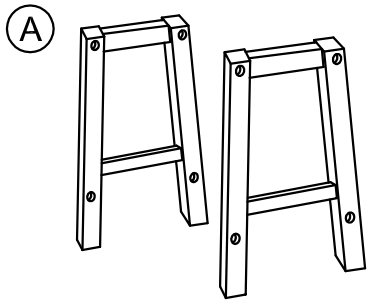
# ASSEMBLY INSTRUCTIONS

## MODEL: BSTL3 - BACKLESS SADDLE BARSTOOL

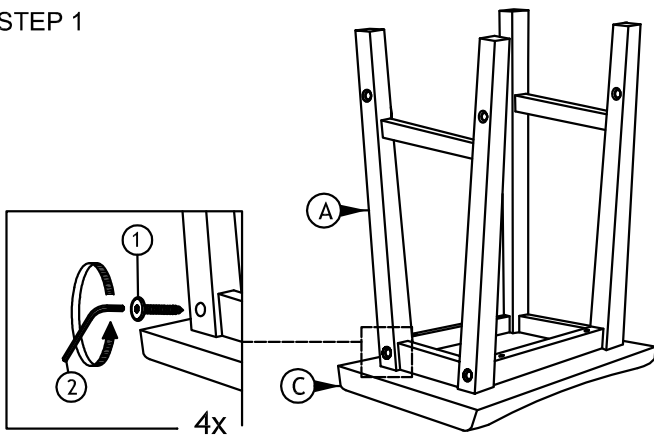
Read this instruction carefully. Refer hardware and furniture parts list for guidance. Be sure all parts are complete before assembling. Place all wooden furniture part on a clean and flat soft surface to prevent scratches. Refer steps provided as assembling guide.

PART LIST		
ITEM	DESCRIPTION	QTY
A	Leg	2 SET
B	Stretcher	2 PCS
C	Seat with Apron	1 PCS

HARDWARE LIST		
ITEM	DESCRIPTION	QTY
1	JCBCW Screw M7 x 50mm 	8 PCS
2	Allen Key M4 x 55mm 	1 PC
3	Wood Button 	8 PCS

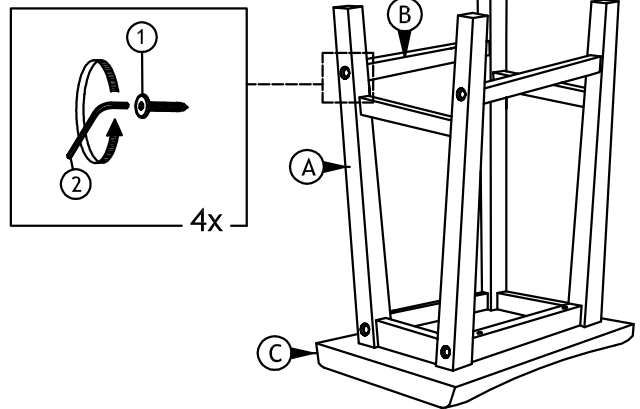


### STEP 1



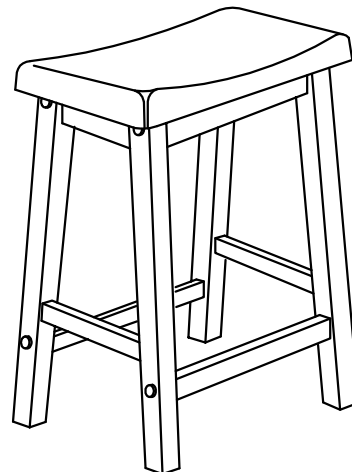
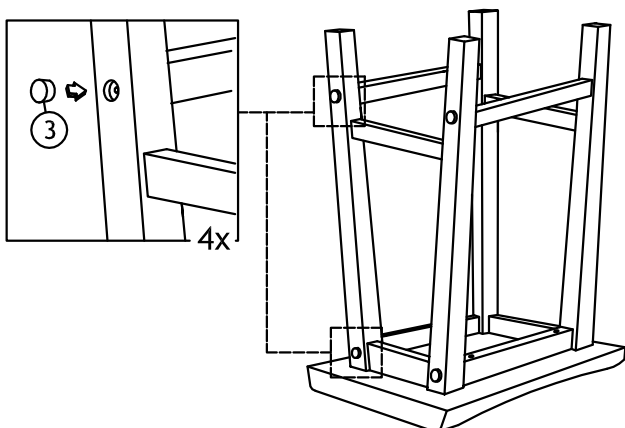
Attach the stool leg(A) with apron seat(C). Do not tighten any hardware completely!

### STEP 2



Tighten stool leg(A) with stool seat(C) first, and then tighten leg(A) with stretcher(B) completely after alignment is done.

### STEP 3



COMPLETED ASSEMBLY