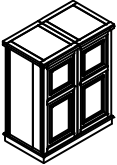
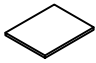





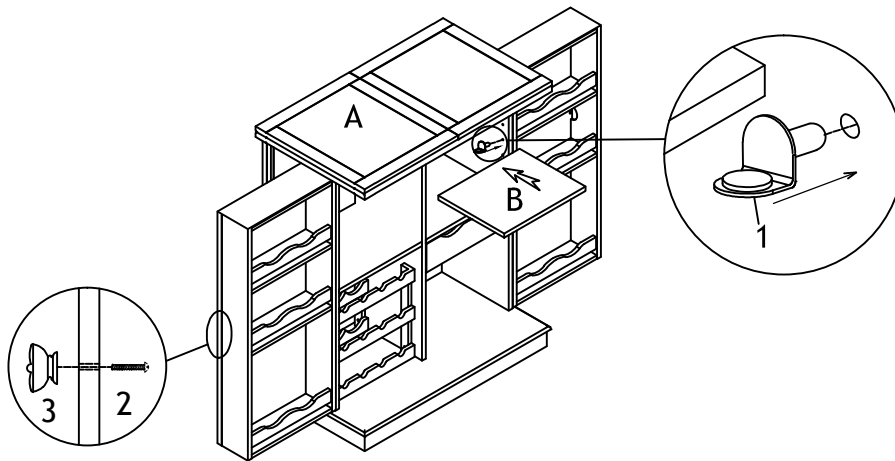
# ASSEMBLY INSTRUCTIONS

MODEL: BRCB3-Portable Folding Bar Cabinet

| Part List |   |     |
|-----------|---|-----|
| ITEM      | DESCRIPTION   | QTY |
| A         | Bar Cabinet  | 1PC |
| B         | Shelf        | 1PC |

| Hardware List |   |      |
|---------------|---|------|
| ITEM          | DESCRIPTION   | QTY  |
| 1             | Shelf Pin  | 4PCS |
| 2             | Bolt       | 2PCS |
| 3             | Knob       | 2PCS |

## STEP:1



## STEP:2

