

SOFTENER

MODEL NO. 140-28-210-S-4M

CAPACITY:

MIN. 168,000 grs. @ 10 lbs./cu.ft.
 MAX. 210,000 grs. @ 15 lbs./cu.ft.

FLOW RATE:

NORMAL 35 gpm.
 PEAK 60 gpm.
 BACKWASH 12 gpm.

TANK SIZE: 21" x 62"

COMPOSITE

MEDIA:

RESIN 7 cu.ft.
 GRAVEL 150 lbs.

PIPE SIZE:

INLET 1-1/2"
 OUTLET 1-1/2"
 DRAIN 1"
 BRINE 1/2"
 METER 1-1/2"

BRINE TANK

TANK SIZE: 24" x 50"

POLYETHYLENE

CAPACITY:

100 gals.
 900 lbs./salt

BRINE VALVE: 454HF

BRINE WELL: 5"

WEIGHT (APPROX)

TOTAL SHIPPING 725 lbs.
 TOTAL OPERATING 1,840 lbs.

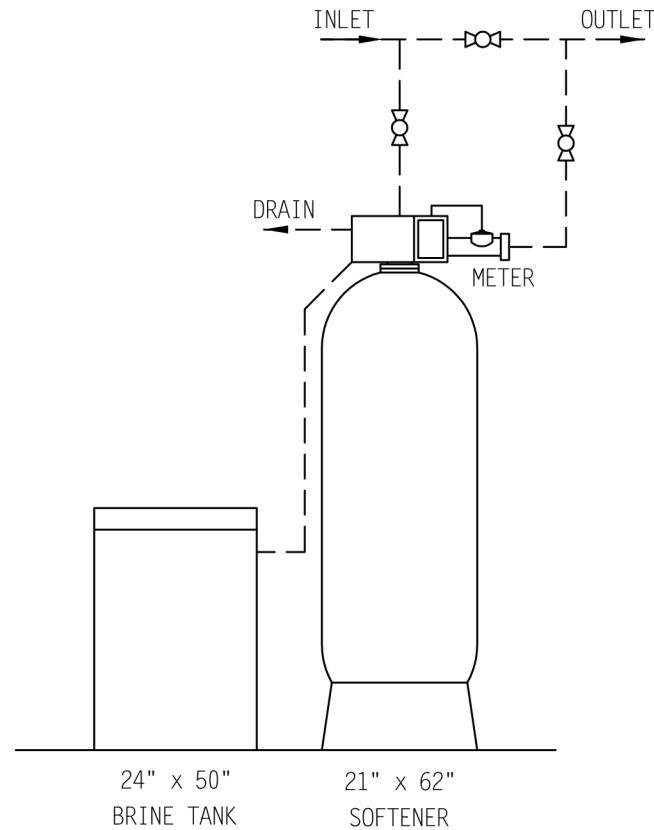
SPACE REQUIRED (APPROX)

49"L x 24"W x 74"H

NOTE:


ALL DASHED PIPE, VALVES,
 AND FITTINGS NOT PROVIDED
 BY US WATER SYSTEMS

PEAK FLOWS ARE NOT
 RECOMMENDED FOR EXTENDED
 PERIODS OF TIME.



DO NOT SCALE DRAWING

THIS DRAWING IS ISSUED IN CONFIDENCE AND CANNOT BE REPRODUCED OR USED TO MANUFACTURE ANYTHING SHOWN OR REFERRED TO WITHOUT DIRECT WRITTEN PERMISSION FROM US WATER SYSTEMS

		US WATER SYSTEMS 1209 COUNTRY CLUB RD INDIANAPOLIS, IN 46234 1-800-608-8792	
		GENERAL ARRANGEMENT DWG. SOFTENER 210K SYSTEM 4-METER	
DRAWN BY: M. CURTIS	DATE:	DWG. NO. 140-28-210-S-4M	
CHECKED BY:	DATE:		
PAGE 1 OF 1	DATE:		