

VESTAX

SERVICE NOTE

MODEL: PMC-CX

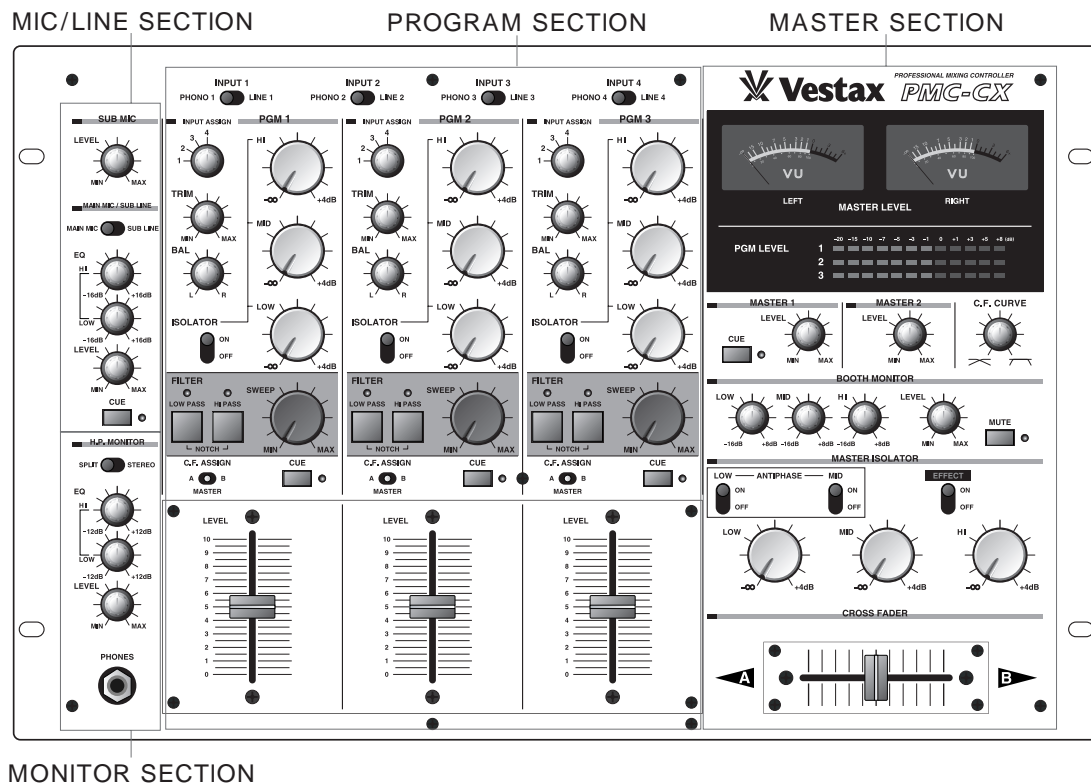
1. SPECIFICATIONS P. 2 - P. 10
2. BLOCK DIAGRAM P. 11
3. CIRCUIT DIAGRAM P. 12 - P. 33
4. COMPONENTS LIST P. 34 - P. 42

Vestax Corporation Service Department

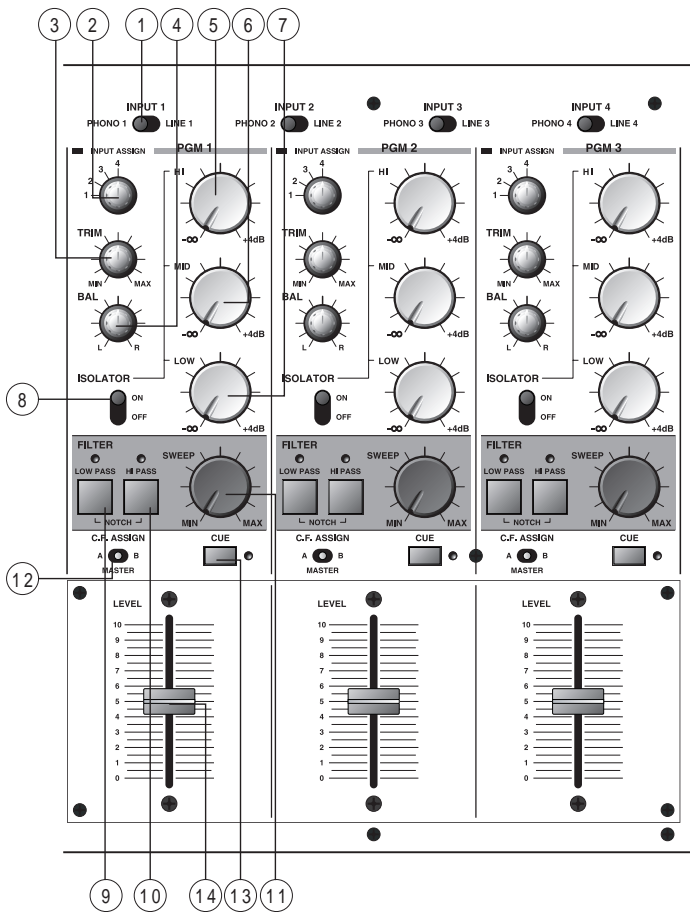
(2006-09-05)

FUNCTIONS

TOP PANEL



PROGRAM SECTION



① PHONO / LINE SELECTOR

Selects the signal (PHONO or LINE) to be sent to each INPUT. All phono inputs are RIAA equalized. Connect the output of a CD player, MD player, and tape deck to the line input.

② INPUT ASSIGN SWITCH

Selects the input to be sent to each PGM channel.

③ PGM TRIM VOLUME

Adjusts the input level of each PGM channel. PGM LEVEL METER to indicate at about 0dB.

④ PGM BALANCE VOLUME

Adjusts the stereo balance for each PGM channel. Can be used for adjusting the unbalanced stereo image. Clockwise rotation from center position increases the volume of R over L channel. A counter clockwise rotation increases the volume of L channel over R.

⑤ PGM ISOLATOR HI

Adjusts the HI frequency level of each PGM.

⑥ PGM ISOLATOR MID

Adjusts the MID frequency level of each PGM.

⑦ PGM ISOLATOR LOW

Adjusts the LOW frequency level of each PGM.

⑧ ISOLATOR ON/OFF SWITCH

When set to "OFF", a full range signal is transmitted regardless of the position of any isolator controls.

⑨ HI PASS FILTER SWITCH

On each PGM is a Hi Pass Filter Switch. Pressing this switch activates the high pass filter and when on the indicator LED will illuminate. The cut off frequencies for this filter can be adjusted by the SWEEP volume rotary dial ⑩. If this switch is pressed simultaneously with the Low Pass Filter switch the resulting effect is a Notch Pass Filter.

⑩ LOW PASS FILTER SWITCH

On each PGM is a LOW pass filter switch. Pressing this switch activates the low pass filter for that PGM. When on the indicator LED will be illuminated and this filter will remove sound frequencies below the cut off point. The cut off point can be adjusted by using the SWEEP volume rotary dial ⑪. If this switch is pressed simultaneously with the High Pass Filter switch the resulting effect is a Notch Pass Filter.

⑪ SWEEP VOLUME

This rotary dial is used to adjust the filter cut off points on each PGM. A rotation to the left will result in a movement away from the High frequencies towards the Low frequencies. Vice versa a movement to the right will result in a movement away from the Low frequencies towards the High frequencies.

⑫ C.F. ASSIGN SWITCH

Assigns the signals from each of the PGM channels to either side of the crossfader or to MASRER OUT. There are three positions;

AThe PGM is sent to the "A" position or left position of the crossfader.

MASTER ...The PGM is sent directly to the master out.

BThe PGM is sent to the "B" position or right side of the crossfader.

⑬ CUE SWITCH

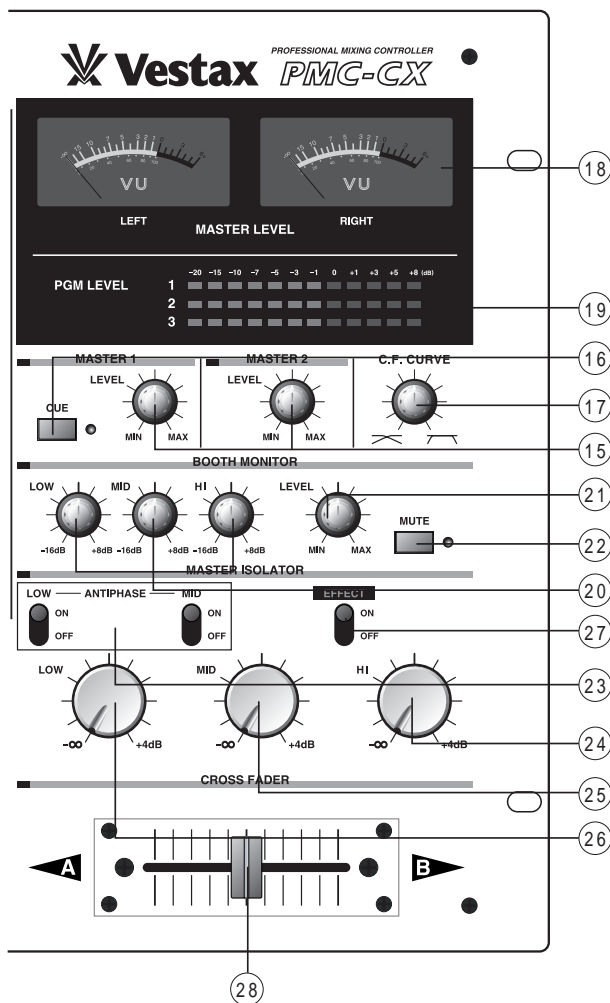
Sends a signal from each PGM to the monitor section for headphone monitoring. When switch is on, an indicator lights up.

⑭ INPUT LEVEL VOLUME

Adjusts the Input level of each program. Typically this fader is set to a position of 7-8. This fader is user replaceable and may be changed easily by following this users guide's instructions carefully. See "HOW TO CHANGE THE FADER UNIT".

*Replace this fader with a Vestax IF-500 replacement inputfader.

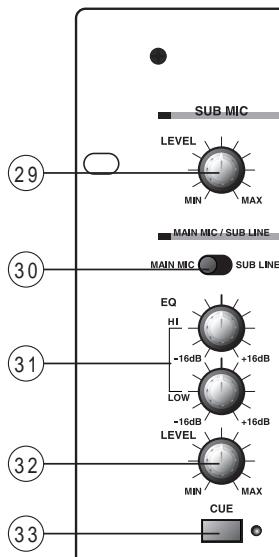
MASTER SECTION



- ⑮ **MASTER LEVEL VOLUME**
Adjusts the signal level outputs from MASTER OUT1/2 JACKS ④7 on the rear panel.
- ⑯ **MASTER CUE SWITCH**
Used to send the signal from MASTER OUT1/2 to the monitor section for headphone monitoring. When switch is on, an indicator lights up.
- ⑰ **CF CURVE VOLUME**
Adjusts the crossfader curve. A clockwise rotation gives a steep crossfade which is good for scratching and cutting, whereas a counter clockwise rotation gives a gentle crossfade, good for long running mixes.
- ⑱ **MASTER LEVEL METER**
The VU analog level meters indicate the L and R outputs.
- ⑲ **PGM LEVEL METER**
The LED bar level meters indicate the PGM channel.

- ⑳ **BOOTH MONITOR EQ VOLUME**
Adjusts the HI/MID/LOW frequencies for the BOOTH OUT.
- ㉑ **BOOTH MONITOR LEVEL VOLUME**
Adjusts the output level of BOOTH MONITOR.
- ㉒ **BOOTH MONITOR MUTE SWITCH**
This switch mutes the signal being sent to the BOOTH OUT.
- ㉓ **ANTI PHASE ON / OFF SWITCH**
This switch is used to activate an antiphase effect on the Master Isolator Section. Essentially, an antiphase flips the isolator curve upside down on both the low and mid frequency ranges, which thereby creates a reverb type effect on the signal being outputted.
- ㉔ **MASTER ISOLATOR HI**
This rotary dial section can be used to isolate the Hi frequencies on any MASTER SECTION input signal.
- ㉕ **MASTER ISOLATOR MID**
This rotary dial section can be used to isolate Mid frequencies on any MASTER SECTION input signal.
- ㉖ **MASTER ISOLATOR LOW**
This rotary dial section can be used to boost the Low frequencies on any MASTER SECTION input signal.
- ㉗ **ISOLATOR ON / OFF SWITCH**
This switch is used to turn the Master Isolator Volume Section either on or off. When set to the "OFF" position the full range of input signal being sent to the MASTER section will be heard regardless of the position of the Master Isolator Volume rotary dials.
- ㉘ **CROSS FADER**
Mixes the signals assigned by the CROSSFADER ASSIGN SWITCHES to either side of the crossfader. When the crossfader is set in the center position, both the left and right signals will be heard. This fader is user replaceable and may be changed easily by following this user guide's instructions carefully. See "HOW TO CHANGE THE FADER UNIT".
*Replace this fader with a Vestax CF-50 replacement input fader.

MIC / LINE SECTION



29 SUB MIC LEVEL VOLUME

Adjusts the input level of the SUB MIC input.

30 MAIN MIC / SUB LINE SELECTOR

Selects between MAIN MIC and SUB LINE input.

31 MIC / LINE EQ VOLUME

Adjusts the HI and LOW frequencies for the signal chosen by MAIN MIC / SUB LINE SELECTOR.

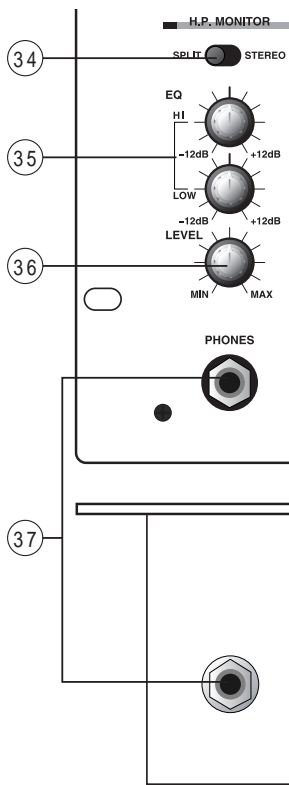
32 MIC / LINE LEVEL VOLUME

Adjusts the input level of the MAIN MIC or SUB LINE input.

33 MIC / LINE CUE SWITCH

Sends the signal from the MIC or LINE channel to the monitor section for headphone monitoring. When switch is on, an indicator lights up.

MONITOR SECTION



34 SPLIT / STEREO SELECTOR

When this switch is set to "SPLIT", the master signal is always heard through the right ear-cup of the headphone. The signal selected by each CUE SWITCH will be heard in the left ear-cup. This enables both programs to be monitored simultaneously, thus assisting in beat mixing. When this switch is set to "STEREO" no master output is heard in the headphones, and only the signal selected by each CUE SWITCH will be heard in both ear-cups.

35 HEADPHONE EQ VOLUME

Adjusts the HI and LOW frequencies for Headphone monitoring.

36 HEADPHONE LEVEL VOLUME

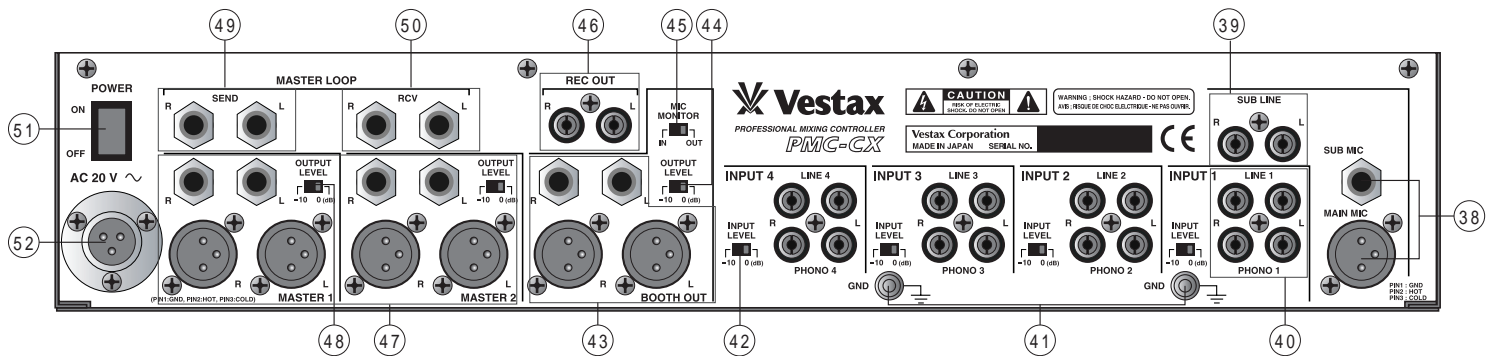
Adjusts the headphone monitor level.

37 PHONES JACK

Use this jack to connect headphones. Headphones with an impedance of 8ohm to 600ohm can be used on this unit.

*For best sound quality Vestax recommends using Headphones with 150ohm impedance.

REAR PANEL



- 38 MAIN/SUB MIC JACK**
[MAIN MIC: XLR JACK (BALANCED), SUB MIC: PHONE JACK (UNBALANCED)]
Input jack for MIC.
- 39 LINE INPUT JACK**
[LINE: RCA PIN JACK, SUB LINE: 1/4' PHONE JACK (UNBALANCED)]
Input connectors for line level equipment such as CD players, CD-R/RW players, MD players, tape decks, DVD players, DAT and VTR etc.
- 40 PHONO INPUT JACK**
[RCA PIN JACK]
Input jacks for turntables. Connect turntables equipped with MM (pick up) cartridge.
- 41 GND TERMINAL**
Connect this terminal to the ground lead of the turntable. This will help to reduce unnecessary noise.
- 42 INPUT LEVEL SELECT SWITCH(-10/0dB)**
Select the attenuation level for the input.
- 43 BOOTH OUT JACK**
[1/4' PHONE JACK (UNBALANCED), XLR JACK (BALANCED)]
Connects to the DJ booth monitors. This signal is identical to the HEADPHONE OUT signal.
- 44 BOOTH OUT LEVEL SELECT SWITCH**
Select the attenuation level for the BOOTH OUT.
- 45 MIC MONITOR IN/OUT SWITCH**
Select whether the signal connected to MAIN/SUB MIC is mixed with the signal outputted from MASTER OUT1/2.
- 46 REC OUT JACK**
[RCA PIN JACK]
Connects to the input jack of a recording device IE, tape recorder, MD, DAT, etc. The output level of this jack is fixed and does not change with the MASTER LEVEL.
- 47 MASTER OUT 1/2 JACK**
[1/4' PHONE JACK (UNBALANCED), XLR JACK (BALANCED)]
Connect to the input on a power amplifier. These jacks are Phone type for consumer applications. This mixer has two sets of MASTER OUT jacks so that the each output level can be set separately. Therefore, the MASTER OUT can be used for main output or sub output IE. One for the main area and the other for entrance.
- 48 MASTER OUT LEVEL SELECT SWITCH (-10/0dB)**
Select the attenuation level for the BOOTH OUT.
- 49 MASTER LOOP SEND JACK**
[1/4' PHONE JACK]
Connects the input terminal of an external effector. (Delay, Reverb, etc.)
- 50 MASTER LOOP RCV JACK**
[1/4' PHONE JACK]
Connects the output terminal of an external effector.
- 51 POWER SWITCH**
Power on/off.
- 52 AC IN JACK**
Connect the Vestax AC-20, AC adaptor.

HOW TO CHANGE THE FADER UNIT

INPUT FADER

Change to "IF-500"

- ① Remove the fader knob. (See fig-a)
- ② Remove the 4 screws which fix the input fader panel to the mixer. (See fig-b)
- ③ Remove the 2 screws which fix the input fader. (See fig-c)
- ④ Remove the input fader, and carefully remove the multi-cable connector from the fader unit. (See fig-d)
- ⑤ Replace the fader unit making sure to that the connector wires are securely fastened before carefully positioning the fader unit and affixing with screws.

fig-a

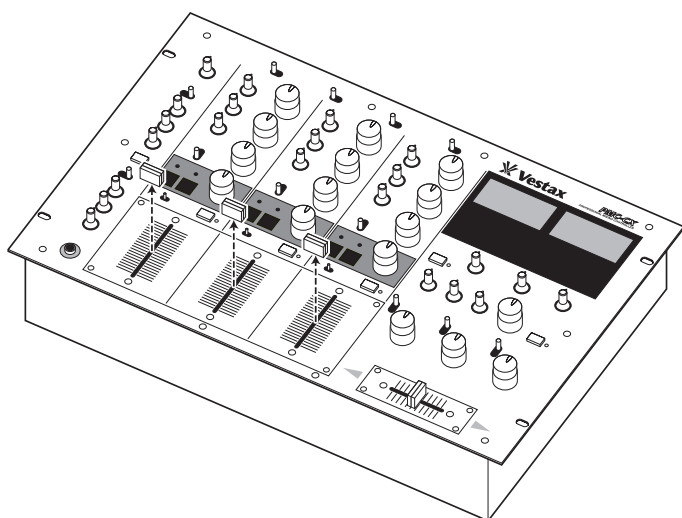


fig-b

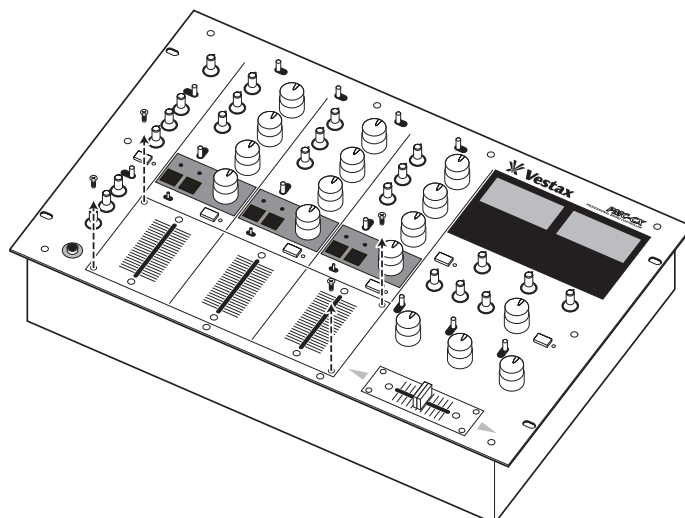


fig-c

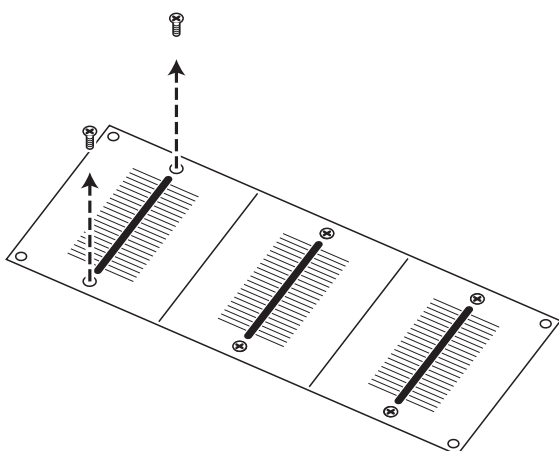
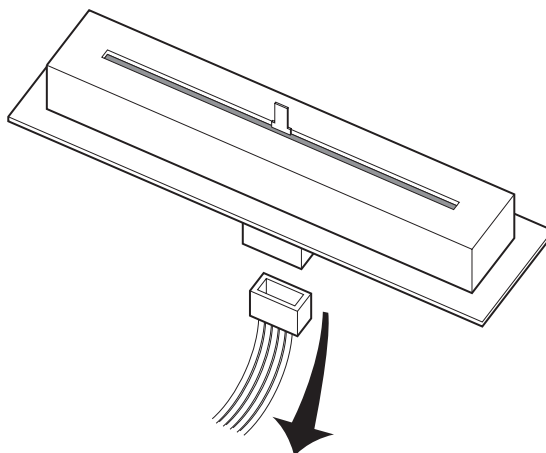


fig-d



CROSS FADER

Change to "CF-50"

- ① Remove the fader knob and 4 screws which fix the crossfader panel, and the carefully remove the panel. (See fig-e)
- ② Remove the 2 screws affixing the crossfader. (See fig-f)
- ③ Carefully remove the multi-cable connector from the fader unit. (See fig-g)
- ④ Remove the fader knob and the fader panel of the new CF-50. (See fig-h)
- ⑤ Attach the fader panel to the new CF-50.
- ⑥ Replace the fader unit making sure to that the connector wires are securely fastened before carefully positioning the fader unit and affixing screws.

fig-e

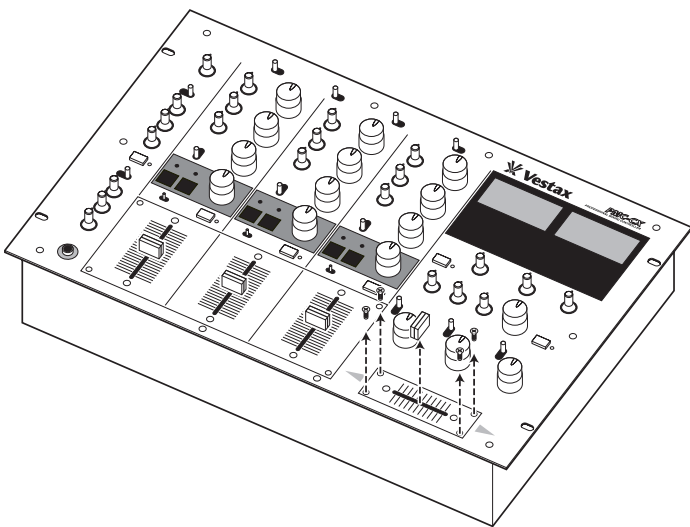


fig-f

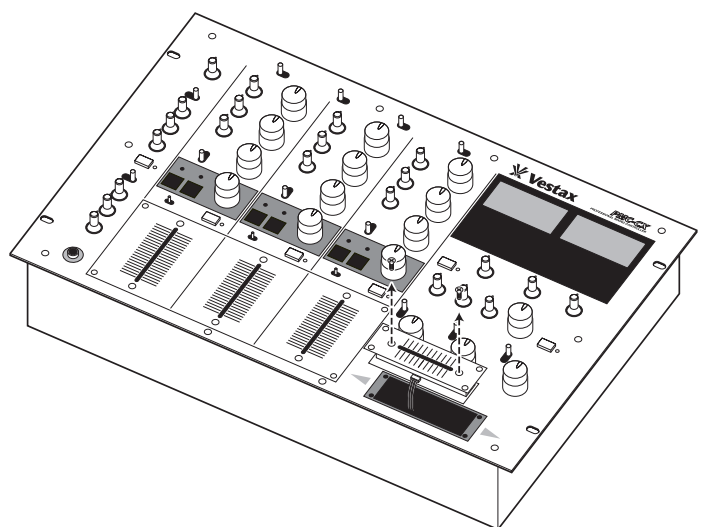


fig-g

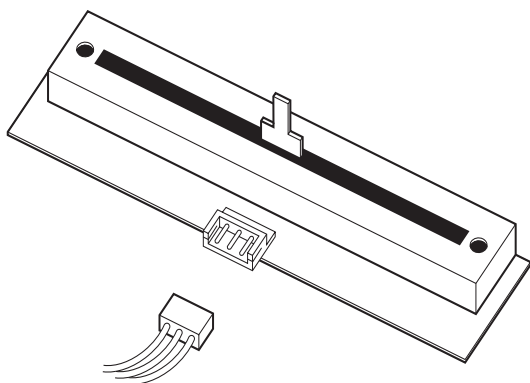
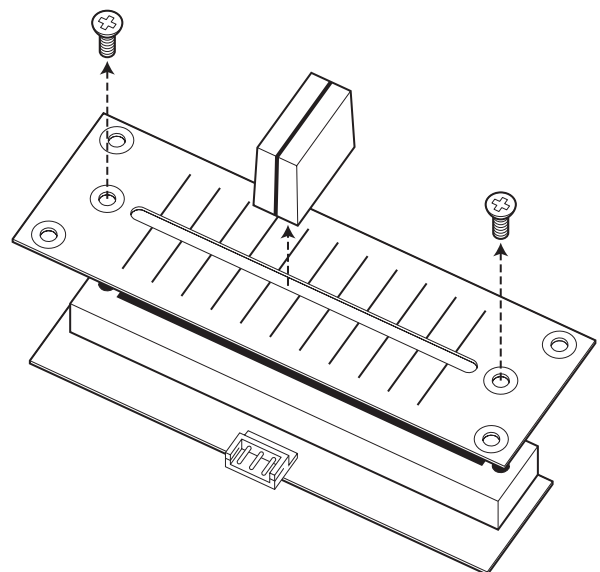
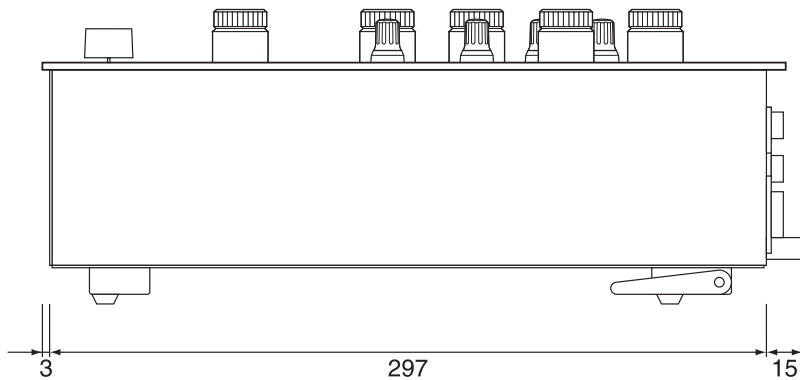
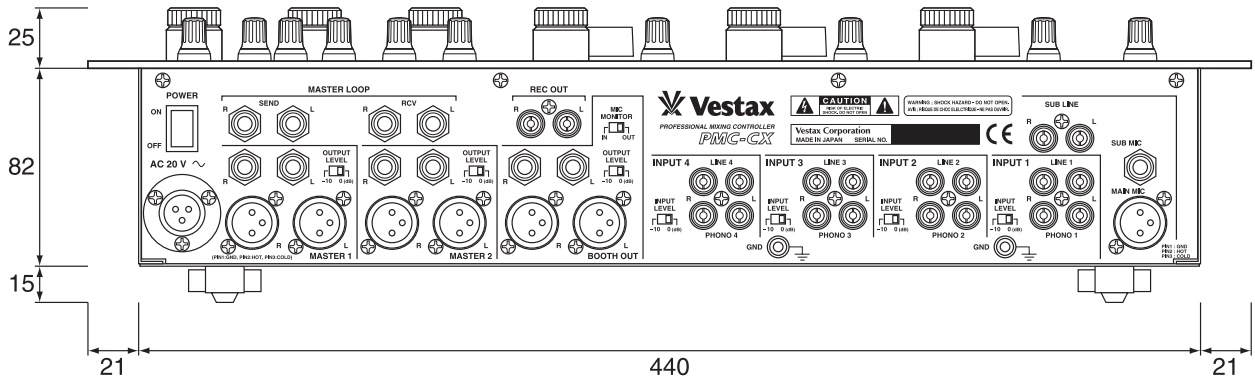
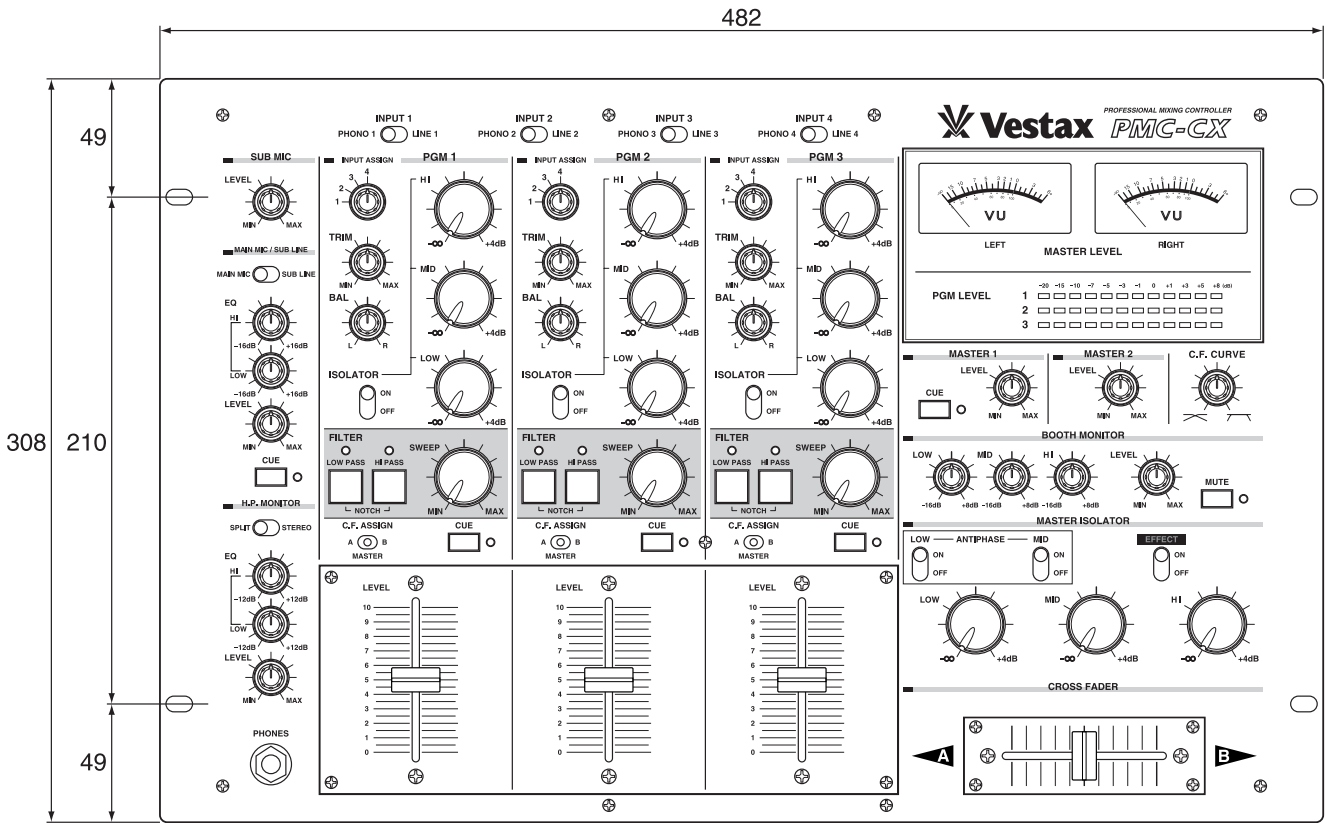


fig-h

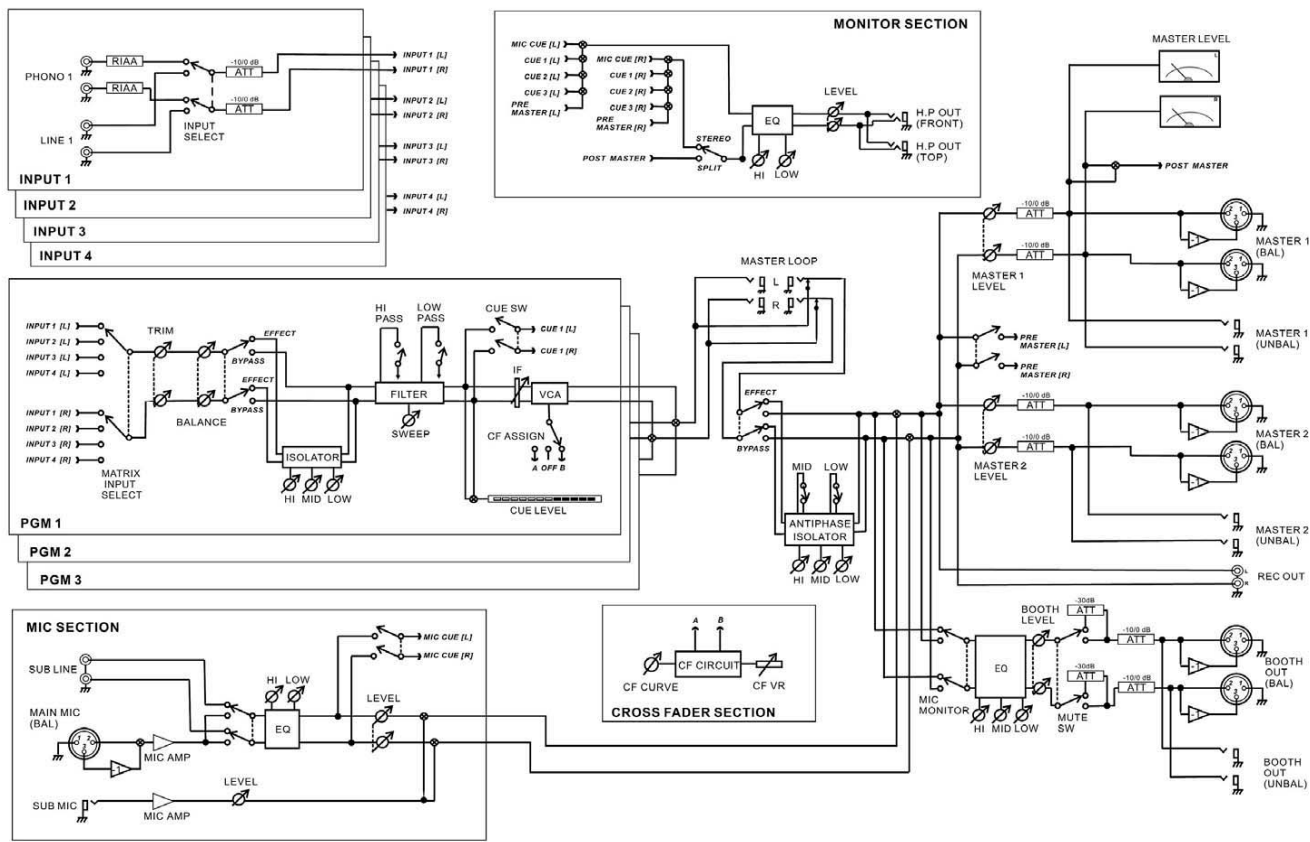


SIZE

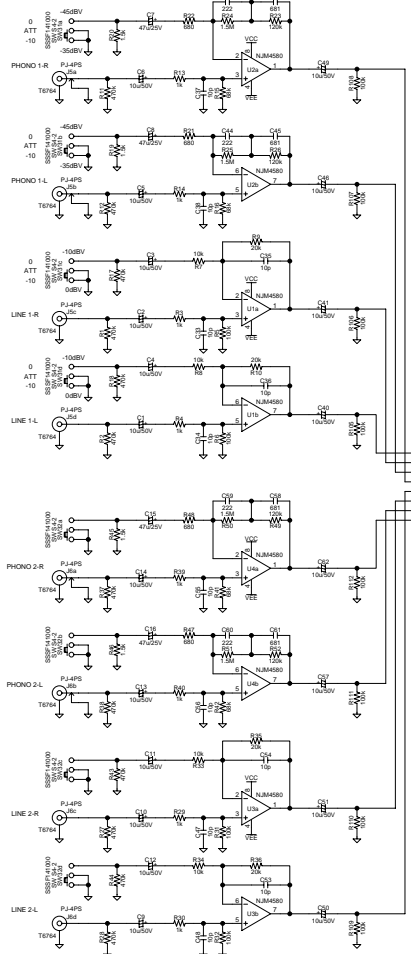


SPECIFICATION

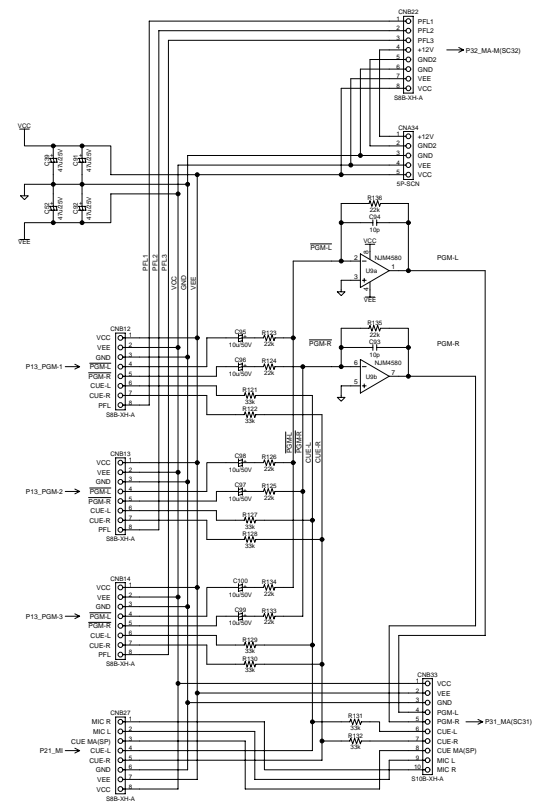
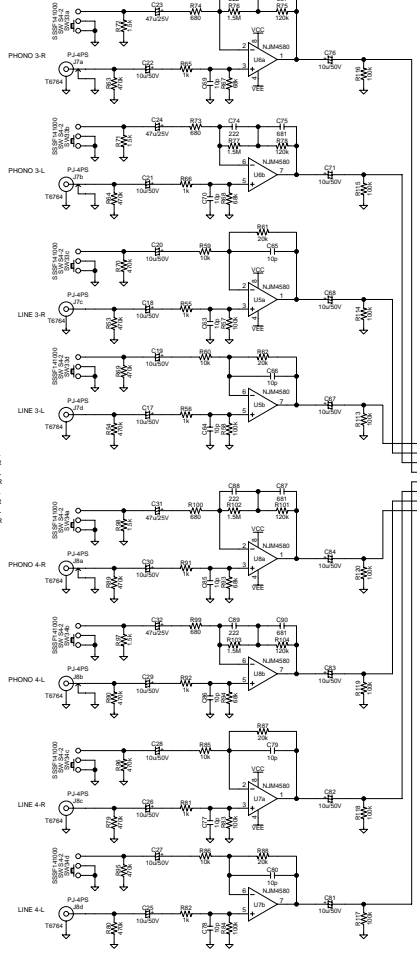
		NOMINAL INPUT	MAXIMUM INPUT	IMPEDANCE
INPUT SECTION	MAIN MIC (XLR FEMALE 2PIN HOT BALANCED)	-50dBv	-35dBv	1.0K
	SUB MIC (6.3 PHONE JACK UNBALANCED)	-50dBv	-35dBv	1.0K
	PHONO 1 ~ 4 L/R (RCA PIN JACK)	-46dBv	-35dBv	59K
	LINE 1 ~ 4 SUB L/R (RCA PIN JACK)	0dBv	+12dB	35K
	MASTER LOOP RCV (6.3 PHONE JACK UNBALANCED)	0dBv	+12dB	50K
		RATED OUTPUT	MAXIMUM OUTPUT	IMPEDANCE
OUTPUT SECTION	MASTER1/2 L/R (XLR MALE 2PIN HOT BALANCED)	+4dBv	+22dB	600 over/150
	MASTER1/2 L/R (6.3 PHONE JACK UNBALANCED)	0dB, -10dB	+22dB	10K over/220
	REC OUT (RCA PIN JACK)	-10dB	+12dB	10K
	BOOTH L/R (XLR MALE 2PIN HOT BALANCED)	+4dBv	+22dB	600 over/150
	BOOTH L/R (6.3 PHONE JACK UNBALANCED)	0dB, -10dB	+22dB	10K over/220
	MASTER LOOP SEND (6.3 PHONE JACK UNBALANCED)	0dBv	+22dB	10K over/220
	HEADPHONE (6.3 PHONE JACK)		190mW	8 over/47
FREQUENCY RESPONSE	MIC	30Hz ~ 20KHz ± 3dB	POWER SUPPLY	AC20V
	LINE	30Hz ~ 20KHz ± 1.5dB	POWER REQUIREMENT	45W
S/N RATIO	MIC	> 60dB	DIMENSION(W × H × D)	482 × 122 × 308(mm)
	LINE	> 75dB	WEIGHT	7.0kg
CROSSFADER CROSSTALK		> 80dB		
CHANNEL CROSSTALK		> 65dB		
FADER ATTENUATION		> 80dB		



INPUT LEVEL SWITCHES



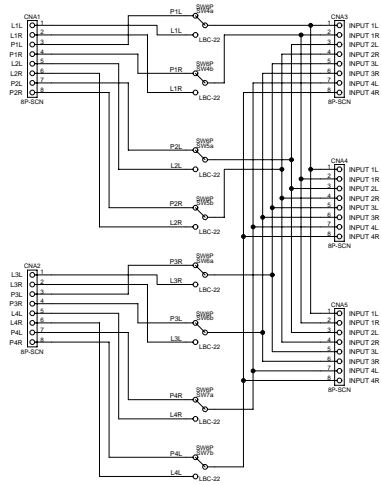
INPUT LEVEL SWITCHES



TITLE		DRAWING No.	
PMC-CX		Pmc-CX-P11_LIN	
INPUT PCB PCB		F7mPmc-CX-SC11	
REV 1.00		REV 1.00	
SHEET		DATE	
1		2004-4	
DESIGN		DESIGN	
KT		KT	

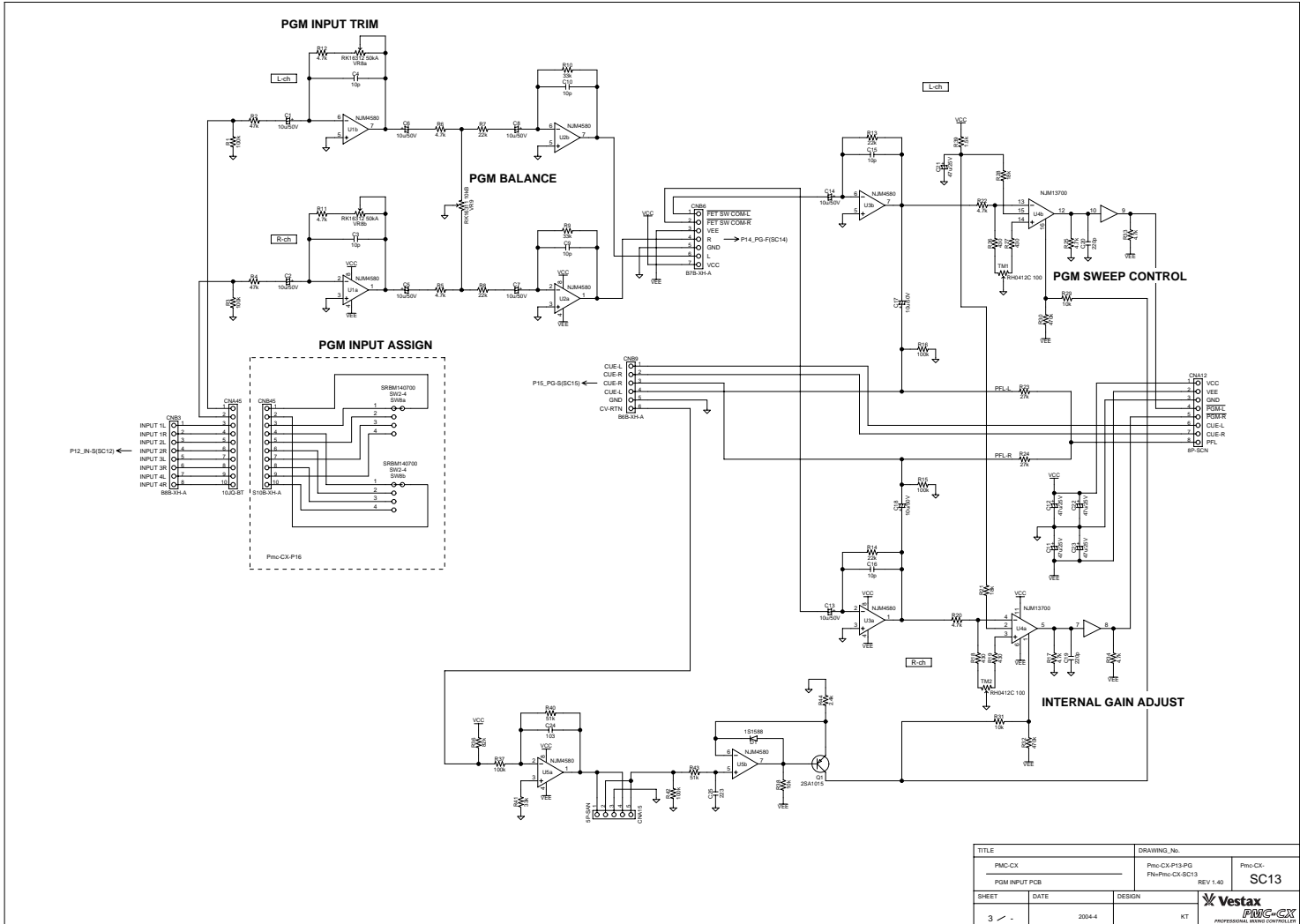


PGM ISOLATOR

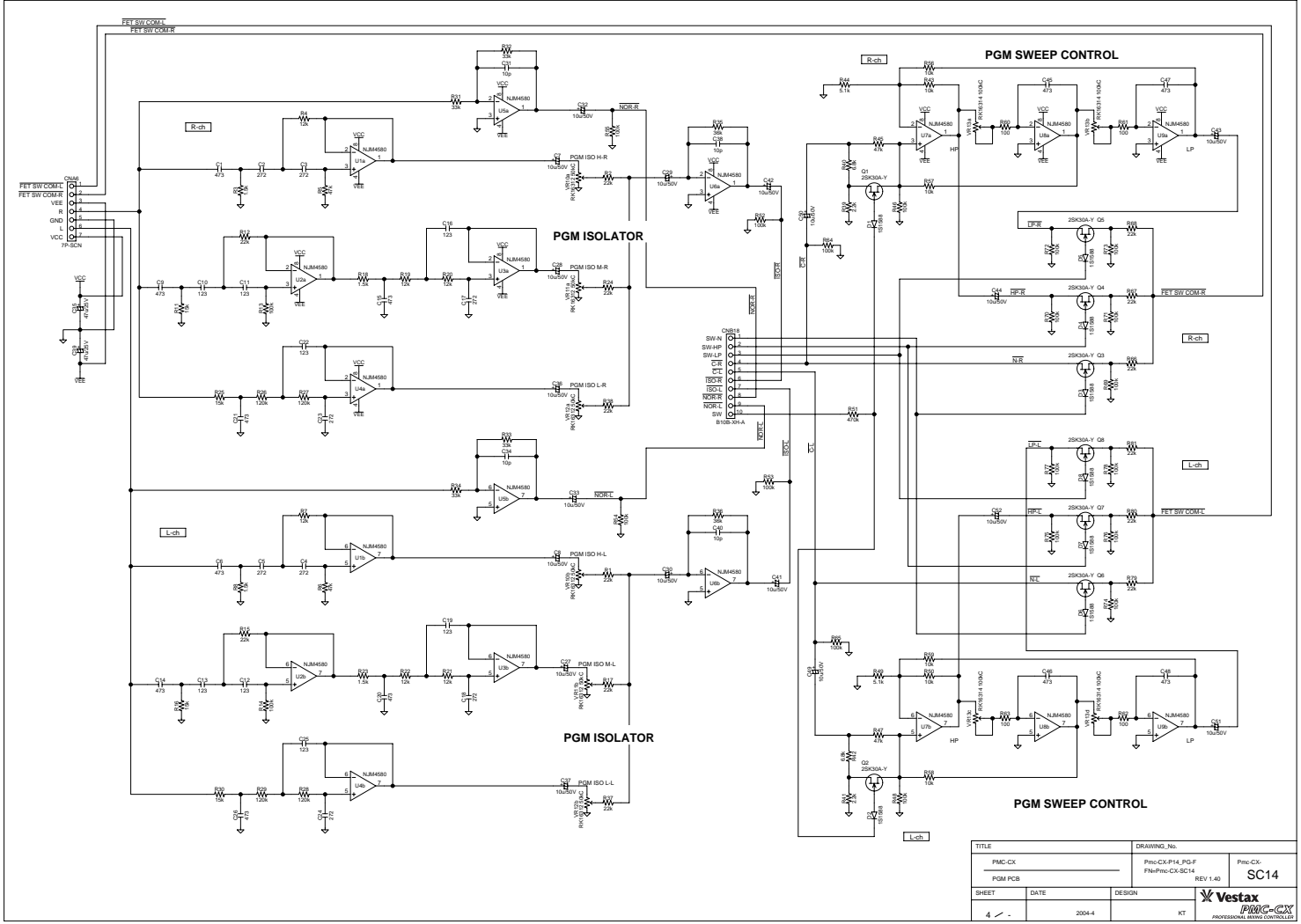


TITLE		DRAWING No.	
PMC-CX INPUT SW PCB		Prmc-CX-F12_IN-S FIn-Prmc-CX-SC12 REV 1.30a	Prmc-CX SC12
SHEET	DATE	DESIGN	
2 / -	2004-2	KT	

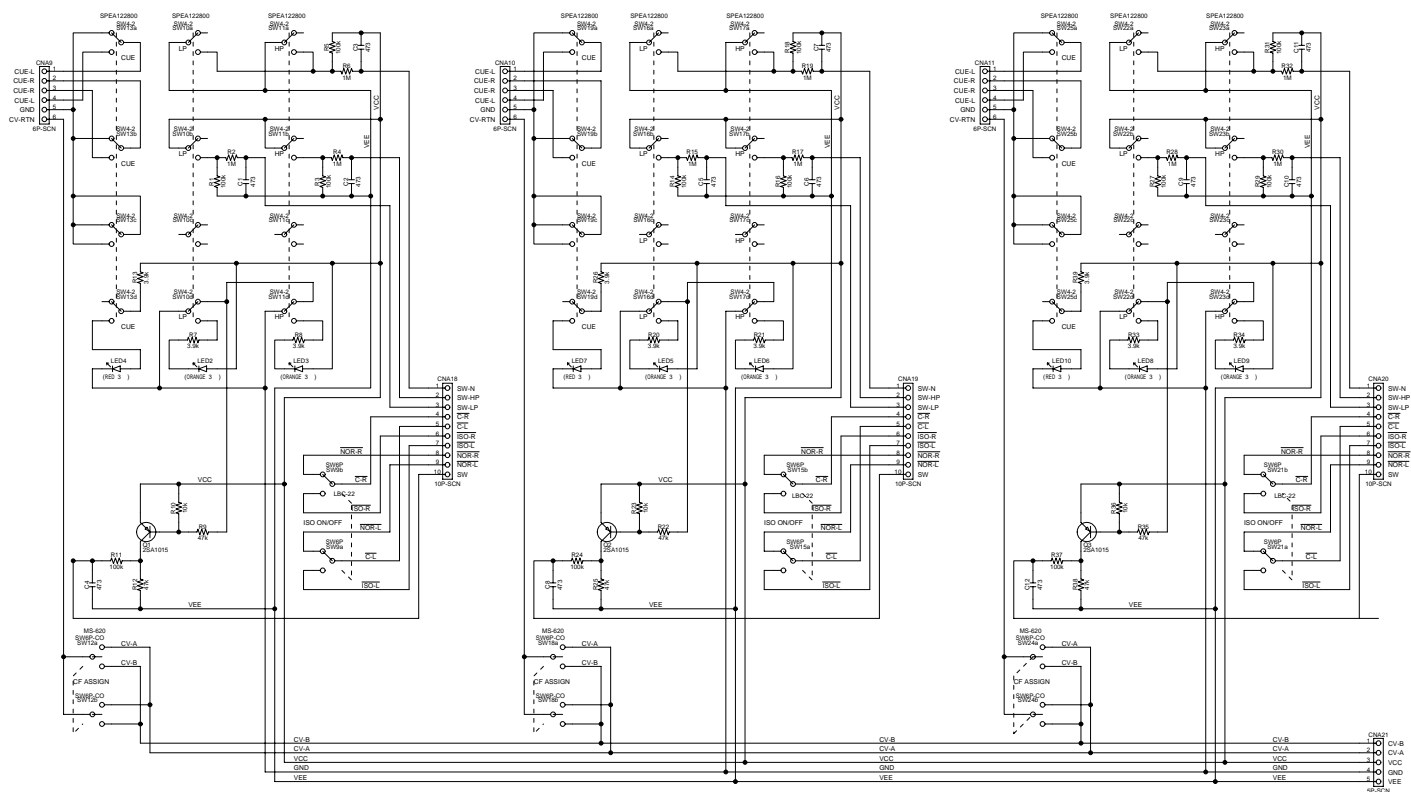




TITLE		DRAWING No.	
PMIC-CX		Pmic-CX-P13-PG	
PGM INPUT PCB		PNo-Pmic-CX-SC13	
SHEET		DATE	
3		2004-4	
DESIGN		KT	
REV 1.40		SC13	

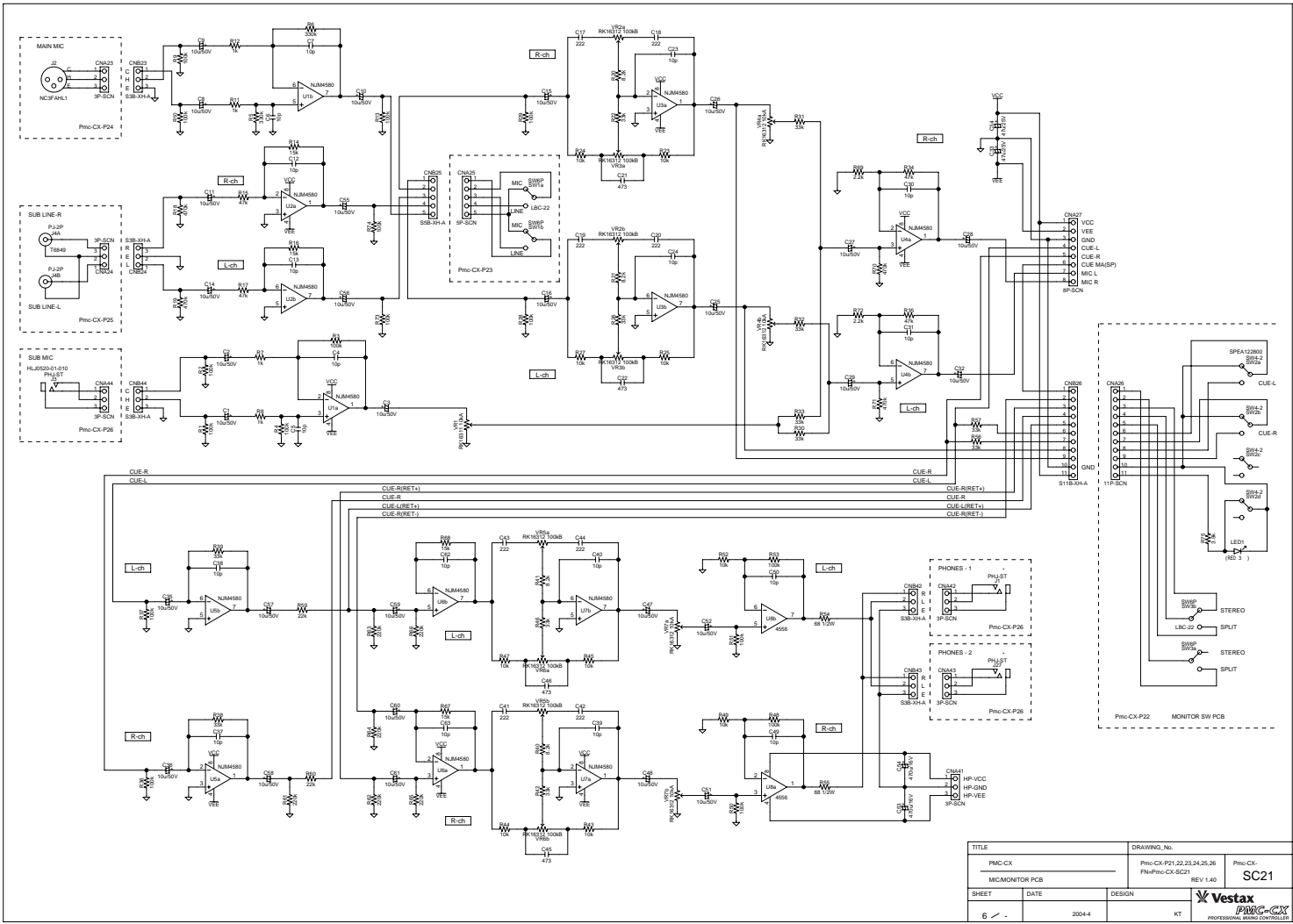


TITLE		DRAWING No.	
PAC-CX		Pmc-CX-P14_PGF	
PGM PCB		FMc-Pmc-CX-SC14	
SHEET		DATE	DESIGN
4		2004-4	KT
		 PROFESSIONAL MIXING CONTROL LTD	

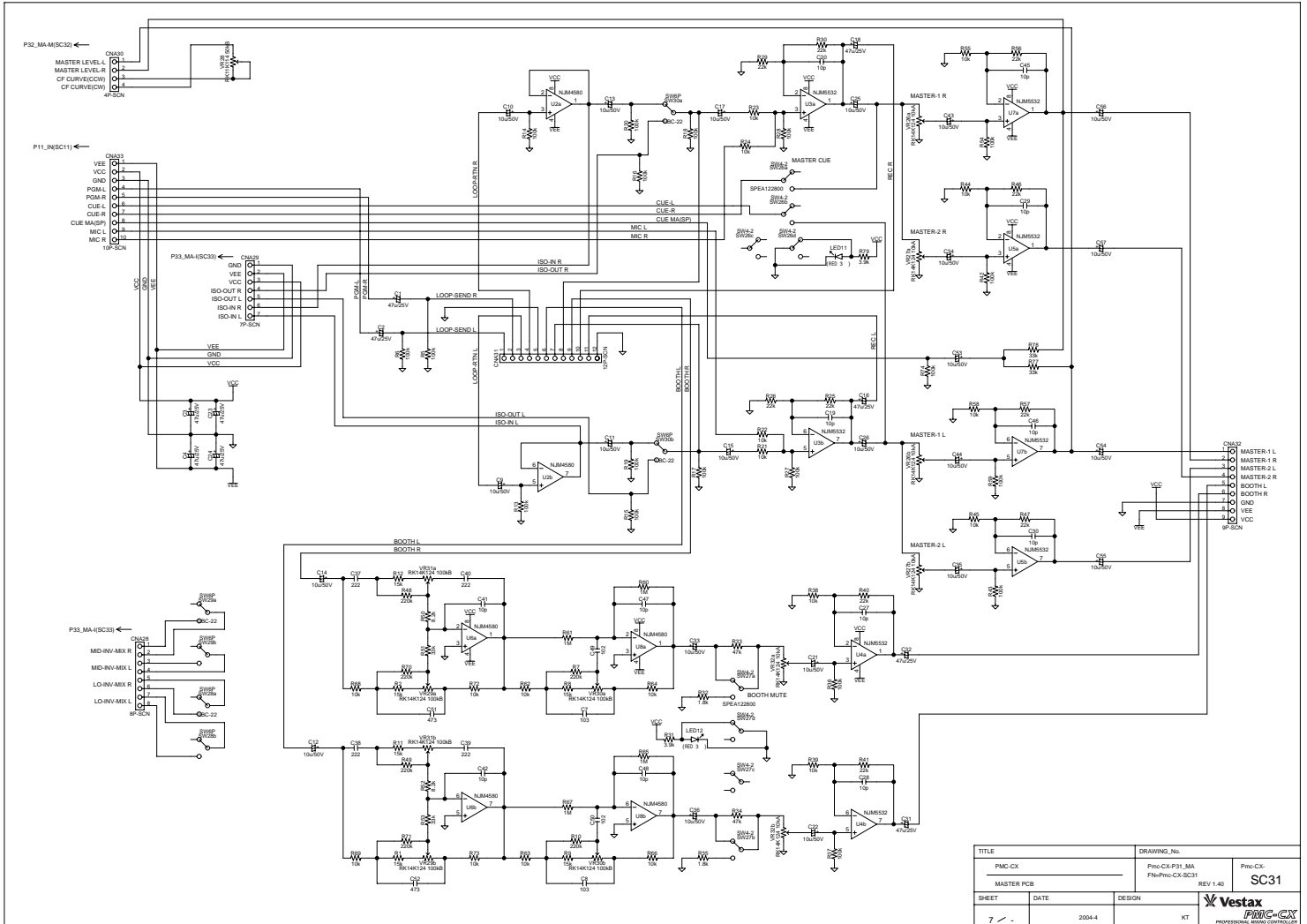


TITLE		DRAWING No.	
PMM-CX		Pmm-CX-P15_PG-S	
PMM SW PCB		FN-Pmm-CX-SC15	
		REV 1.43	
SHEET		DATE	DESIGN
5 -		2004-4	KT

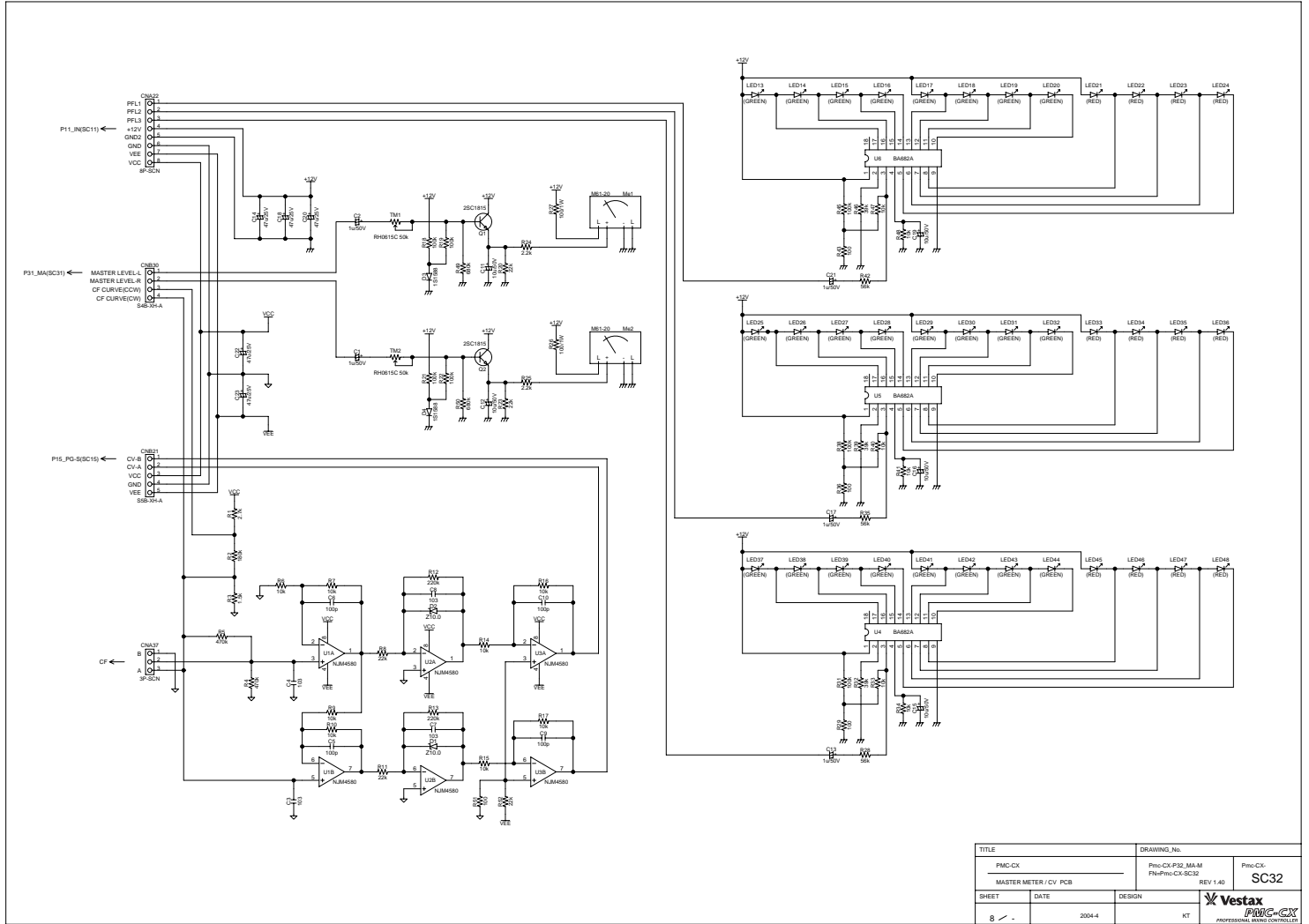
SC15



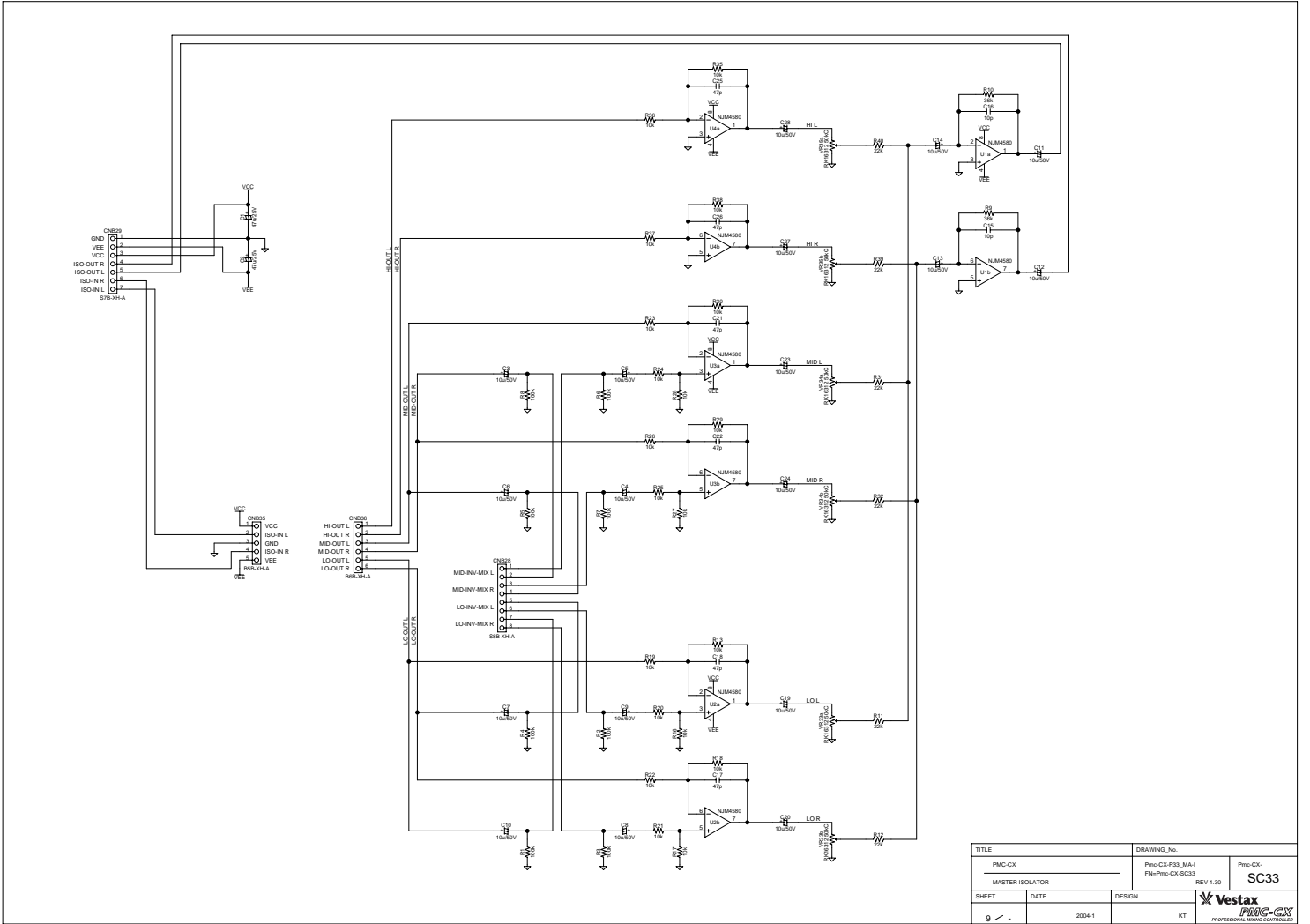
TITLE		DRAWING_No	
Prnc-CX MCMONITOR PCB		Prnc-CX-P21.22.23.24.25.26 Prnc-CX-SC21 REV 1.40	
SHEET		DESIGN	
6 -		KT	
DATE		2004-4	



TITLE		DRAWING No.	
PMC-CX		Pmc-CX-P31_MA	
MASTER PCB		Fm-Pmc-CX-SC31	
		REV 1.40	
		SC31	
SHEET	DATE	DESIGN	 PRO-CX <small>PROFESSIONAL SOUND CONTROLS LTD</small>
7	2004-4	KT	

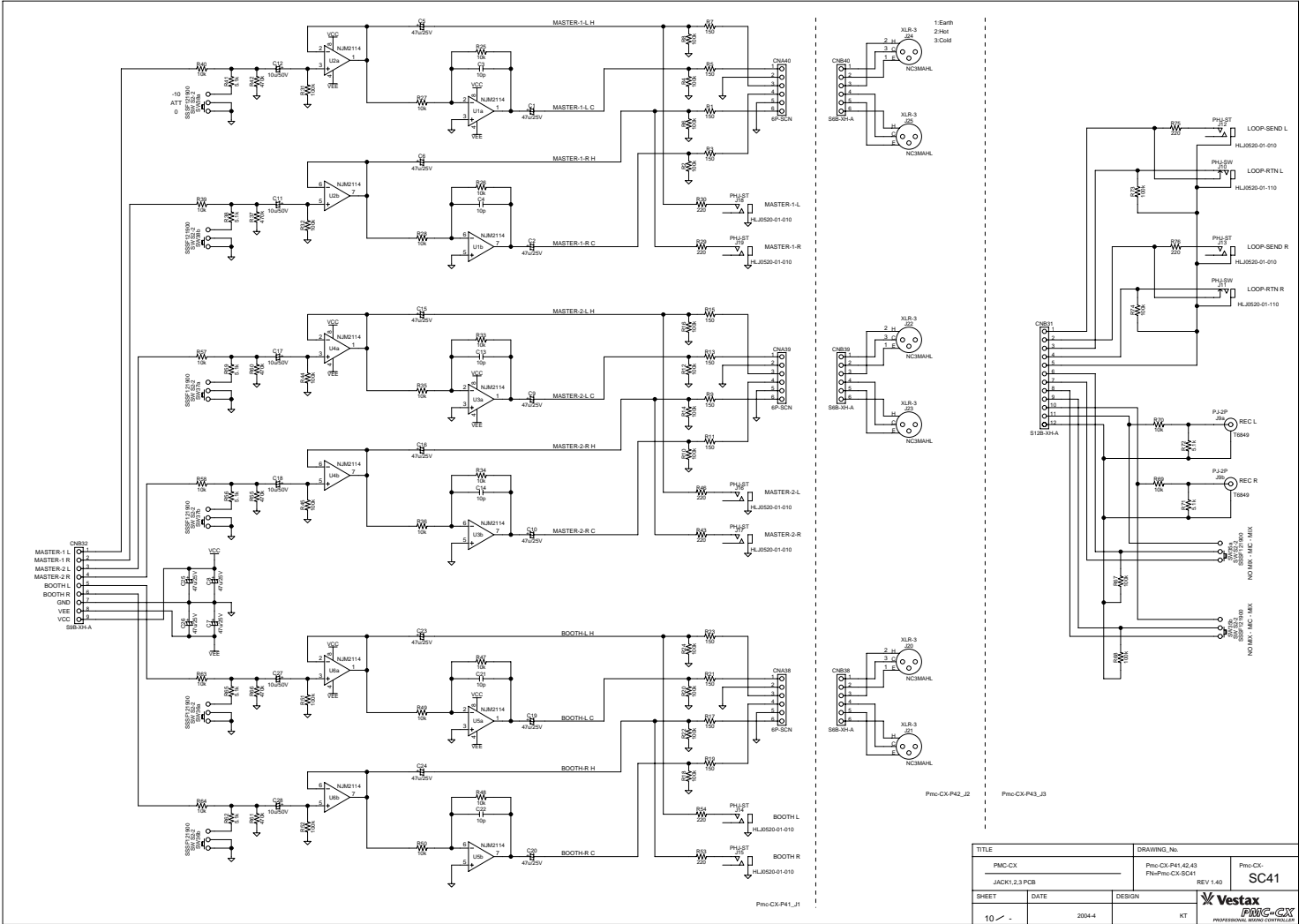


TITLE		DRAWING No.	
PM-CX MASTER METER / CV PCB		Prn-CX-PS2_MAM FN-Prn-CX-SC32 REV 1.40	Prn-CX- SC32
SHEET	DATE	DESIGN	 PROFESSIONAL BOARD CONTROL
8	-	2004-4	



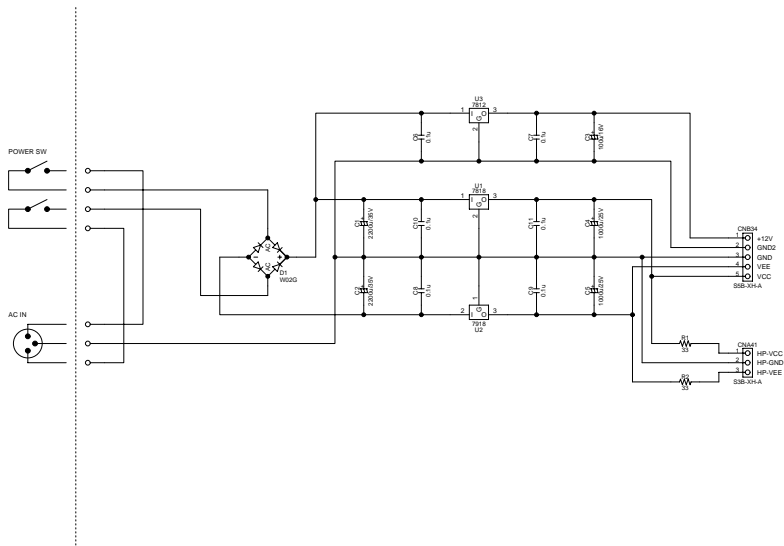
TITLE		DRAWING No.	
PMC-CX		Pmc-CX-P33_Ma-1	
MASTER ISOLATOR		FN:Pmc-CX-SC33	
REV 1.30		Pmc-CX-SC33	
SHEET	DATE	DESIGN	KT
9 / -	2004-1		





TITLE		DRAWING_NL	
PMIC-CX		Pmic-CX-P41_42_43 Pmic-CX-SC41	
JACK1, 2, 3 PCB		REV 1.40	
SHEET		DESIGN	
10 / -		KT	
DATE		2004-4	

SC41
NO. 885-1MC-18X



TITLE		DRAWING No.	
PM-CX		Pmc-CX-PS1_PS	
PS PCB		FN-Pmc-CX-SC51	
		REV 1.40	SC51
SHEET	DATE	DESIGN	
11	11	2004-5	KT



Vestax Parts No.	Model	Category	Description	PCB	Location													
					U1	U2	U3	U4	U5	U6	U7	U8	U9					
	PMC-CX	IC	NJM4580	11/INPUT JACK	U1	U2	U3	U4	U5	U6	U7	U8	U9					
		CAPACITOR	10p C.Cap	11/INPUT JACK	C33	C34	C35	C36	C37	C38	C47	C48	C53	C54				
					C55	C56	C63	C64	C65	C66	C69	C70	C77	C78				
					C79	C80	C85	C86	C93	C94								
	PMC-CX	CAPACITOR	681 Mylar	11/INPUT JACK	C42	C45	C58	C61	C72	C75	C87	C90						
	PMC-CX	CAPACITOR	222 Mylar	11/INPUT JACK	C43	C44	C59	C60	C73	C74	C88	C89						
	PMC-CX	CAPACITOR	10u/50V E.Cap	11/INPUT JACK	C1	C2	C3	C4	C5	C6	C9	C10	C11	C12				
					C13	C14	C17	C18	C19	C20	C21	C22	C25	C26				
					C27	C28	C29	C30	C40	C41	C46	C49	C50	C51				
					C57	C62	C67	C68	C71	C76	C81	C82	C83	C84				
					C95	C96	C97	C98	C99	C100								
	PMC-CX	CAPACITOR	47u/25V E.Cap	11/INPUT JACK	C7	C8	C15	C16	C23	C24	C31	C32	C39	C52				
					C91	C92												
	PMC-CX	RESISTOR	680	11/INPUT JACK	R21	R22	R47	R48	R73	R74	R99	R100						
	PMC-CX	RESISTOR	1k	11/INPUT JACK	R3	R4	R13	R14	R29	R30	R39	R40	R55	R56				
					R65	R66	R81	R82	R91	R92								
	PMC-CX	RESISTOR	1.5k	11/INPUT JACK	R19	R20	R45	R46	R71	R72	R97	R98						
	PMC-CX	RESISTOR	10k	11/INPUT JACK	R7	R8	R33	R34	R59	R60	R85	R86						
	PMC-CX	RESISTOR	20k	11/INPUT JACK	R9	R10	R35	R36	R61	R62	R87	R88						
	PMC-CX	RESISTOR	22k	11/INPUT JACK	R123	R124	R125	R126	R133	R134	R135	R136						
	PMC-CX	RESISTOR	33k	11/INPUT JACK	R121	R122	R127	R128	R129	R130	R131	R132						
	PMC-CX	RESISTOR	68k	11/INPUT JACK	R15	R16	R41	R42	R67	R68	R93	R94						
	PMC-CX	RESISTOR	100k	11/INPUT JACK	R5	R6	R31	R32	R57	R58	R83	R84	R105	R106				
					R107	R108	R109	R110	R111	R112	R113	R114	R115	R116				
					R117	R118	R119	R120										
	PMC-CX	RESISTOR	120k	11/INPUT JACK	R23	R26	R49	R52	R75	R78	R101	R104						
	PMC-CX	RESISTOR	470k	11/INPUT JACK	R1	R2	R11	R12	R17	R18	R27	R28	R37	R38				
					R43	R44	R53	R54	R63	R64	R69	R70	R79	R80				
					R89	R90	R95	R96										
	PMC-CX	RESISTOR	1.5M	11/INPUT JACK	R24	R25	R50	R51	R76	R77	R102	R103						
	PMC-CX	SW/SLIDE	SSSF141000	11/INPUT JACK	SW31	SW32	SW33	SW34										
	PMC-CX	JACK/RCA PIN	T6764 PJ-4PS	11/INPUT JACK	J5	J6	J7	J8										
	PMC-CX		S10B-XH-A	11/INPUT JACK	CNB33													
	PMC-CX		5P-SCN	11/INPUT JACK	CNA34													
	PMC-CX		S8B-XH-A	11/INPUT JACK	CNB12	CNB13	CNB14	CNB22	CNB27									
	PMC-CX		B8B-XH-A	11/INPUT JACK	CNB1	CNB2												
	PMC-CX	SW/LEVER	LBC-22	12/PHONO-LINE SW	SW4	SW5	SW6	SW7										
	PMC-CX		8P-SCN	12/PHONO-LINE SW	CNA1	CNA2	CNA3	CNA4	CNA5									

Vestax Parts No.	Model	Category	Description	PCB	Location															
	PMC-CX	IC	NJM13700	13/PGM TRIM, BAL	U4															
	PMC-CX	IC	NJM4580	13/PGM TRIM, BAL	U1	U2	U3	U5												
	PMC-CX	TRANSISTOR	2SA1015	13/PGM TRIM, BAL	Q1															
	PMC-CX	DIODE	1S1588	13/PGM TRIM, BAL	D1															
	PMC-CX	CAPACITOR	10p C.Cap	13/PGM TRIM, BAL	C3	C4	C9	C10	C15	C16										
	PMC-CX	CAPACITOR	220p C.Cap	13/PGM TRIM, BAL	C19	C20														
	PMC-CX	CAPACITOR	223 Mylar	13/PGM TRIM, BAL	C25															
	PMC-CX	CAPACITOR	103 Mylar	13/PGM TRIM, BAL	C24															
	PMC-CX	CAPACITOR	10u/50V E.Cap	13/PGM TRIM, BAL	C1	C2	C5	C6	C7	C8	C13	C14	C17	C18						
	PMC-CX	CAPACITOR	47u/25V E.Cap	13/PGM TRIM, BAL	C11	C12	C21	C22	C23											
	PMC-CX	RESISTOR	430	13/PGM TRIM, BAL	R18	R19	R26	R27												
	PMC-CX	RESISTOR	1.5k	13/PGM TRIM, BAL	R39															
	PMC-CX	RESISTOR	2.4k	13/PGM TRIM, BAL	R44															
	PMC-CX	RESISTOR	4.7k	13/PGM TRIM, BAL	R5	R6	R11	R12	R17	R20	R22	R25	R33	R34						
	PMC-CX	RESISTOR	10k	13/PGM TRIM, BAL	R29	R31	R38													
	PMC-CX	RESISTOR	18k	13/PGM TRIM, BAL	R21	R28														
	PMC-CX	RESISTOR	22k	13/PGM TRIM, BAL	R7	R8	R13	R14												
	PMC-CX	RESISTOR	27k	13/PGM TRIM, BAL	R23	R24														
	PMC-CX	RESISTOR	33k	13/PGM TRIM, BAL	R9	R10	R41													
	PMC-CX	RESISTOR	47k	13/PGM TRIM, BAL	R2	R4														
	PMC-CX	RESISTOR	51k	13/PGM TRIM, BAL	R40	R43														
	PMC-CX	RESISTOR	82k	13/PGM TRIM, BAL	R36															
	PMC-CX	RESISTOR	100k	13/PGM TRIM, BAL	R1	R3	R15	R16	R37	R42										
	PMC-CX	RESISTOR	470k	13/PGM TRIM, BAL	R30	R32														
	PMC-CX	SW2-4	SRBM140700	13/PGM TRIM, BAL	SW8															
	PMC-CX	TRIMER	RH0412C 100	13/PGM TRIM, BAL	TM1	TM2														
	PMC-CX	VR/ROTARY	RK16311 10kB	13/PGM TRIM, BAL	VR9															
	PMC-CX	VR/ROTARY	RK16312 50kA	13/PGM TRIM, BAL	VR8															
	PMC-CX		5P-SAN	13/PGM TRIM, BAL	CNA15															
	PMC-CX		B6B-XH-A	13/PGM TRIM, BAL	CNB9															
	PMC-CX		B7B-XH-A	13/PGM TRIM, BAL	CNB6															
	PMC-CX		8P-SCN	13/PGM TRIM, BAL	CNA12															
	PMC-CX		B8B-XH-A	13/PGM TRIM, BAL	CNB3															
	PMC-CX		S10B-XH-A	13/PGM TRIM, BAL	CNB45															
	PMC-CX		10JQ-BT	13/PGM TRIM, BAL	CNA45															
	PMC-CX	IC	NJM4580	14/PGM ISOL, SWEE	U1	U2	U3	U4	U5	U6	U7	U8	U9							

Vestax Parts No.	Model	Category	Description	PCB	Location														
	PMC-CX	RESISTOR	3.9k	15/PGM SW	R7	R8	R13	R20	R21	R26	R33	R34	R39						
	PMC-CX	RESISTOR	10k	15/PGM SW	R10	R23	R36												
	PMC-CX	RESISTOR	47k	15/PGM SW	R9	R12	R22	R25	R35	R38									
	PMC-CX	RESISTOR	100k	15/PGM SW	R1	R3	R5	R11	R14	R16	R18	R24	R27	R29					
	PMC-CX	RESISTOR	1M	15/PGM SW	R2	R4	R6	R15	R17	R19	R28	R30	R32						
	PMC-CX	SW/PUSH	SPEA122800	15/PGM SW	SW10	SW11	SW13	SW16	SW17	SW19	SW22	SW23	SW25						
	PMC-CX	SW/LEVER	LBC-22	15/PGM SW	SW9	SW15	SW21												
	PMC-CX	SW/LEVER	MS-620	15/PGM SW	SW12	SW18	SW24												
	PMC-CX		5P-SCN	15/PGM SW	CNA21														
	PMC-CX		6P-SCN	15/PGM SW	CNA9	CNA10	CNA11												
	PMC-CX		10P-SCN	15/PGM SW	CNA18	CNA19	CNA20												
	PMC-CX	IC	NJM4580	21-26/MIC, MONITOR	U1	U2	U3	U4	U5	U6	U7								
	PMC-CX	IC	NJM4556	21-26/MIC, MONITOR	U8														
	PMC-CX	LED	(RED 3φ)	21-26/MIC, MONITOR	LED1														
	PMC-CX	CAPACITOR	10p C.Cap	21-26/MIC, MONITOR	C4	C5	C6	C7	C12	C13	C23	C24	C30	C31					
	PMC-CX	CAPACITOR	222 Mylar	21-26/MIC, MONITOR	C17	C18	C19	C20	C41	C42	C43	C44							
	PMC-CX	CAPACITOR	473 Mylar	21-26/MIC, MONITOR	C21	C22	C45	C46											
	PMC-CX	CAPACITOR	10u/50V E.Cap	21-26/MIC, MONITOR	C1	C2	C3	C8	C9	C10	C11	C14	C15	C16					
					C25	C26	C27	C28	C29	C32	C35	C36	C47	C48					
					C51	C52	C55	C56	C57	C58	C59	C60	C61						
	PMC-CX	CAPACITOR	47u/25V E.Cap	21-26/MIC, MONITOR	C33	C34													
	PMC-CX	CAPACITOR	470u/16V E.Cap	21-26/MIC, MONITOR	C53	C54													
	PMC-CX	RESISTOR	68 1/2W	21-26/MIC, MONITOR	R54	R55													
	PMC-CX	RESISTOR	1k	21-26/MIC, MONITOR	R7	R8	R11	R12											
	PMC-CX	RESISTOR	2.2k	21-26/MIC, MONITOR	R69	R72													
	PMC-CX	RESISTOR	3.9k	21-26/MIC, MONITOR	R75														
	PMC-CX	RESISTOR	8.2k	21-26/MIC, MONITOR	R20	R21	R40	R41											
	PMC-CX	RESISTOR	10k	21-26/MIC, MONITOR	R23	R24	R25	R27	R43	R44	R45	R47	R49	R52					
	PMC-CX	RESISTOR	15k	21-26/MIC, MONITOR	R14	R16	R67	R68											
	PMC-CX	RESISTOR	22k	21-26/MIC, MONITOR	R59	R60													
	PMC-CX	RESISTOR	33k	21-26/MIC, MONITOR	R22	R26	R30	R31	R32	R33	R38	R39	R42	R46					
					R56	R57													
	PMC-CX	RESISTOR	47k	21-26/MIC, MONITOR	R15	R17	R34	R35											
	PMC-CX	RESISTOR	100k	21-26/MIC, MONITOR	R1	R2	R3	R4	R9	R10	R13	R28	R29	R36					

