

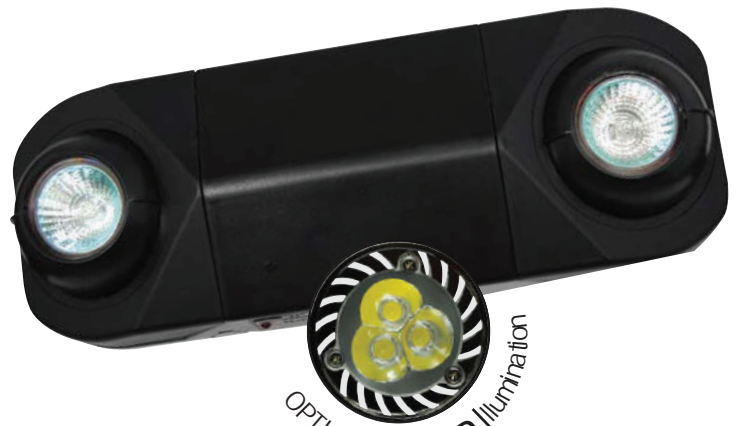
# RMR-16 Semi-Recessed MR-16 Emergency Unit

<b>Project:</b>	
<b>Type:</b>	
<b>Catalog #:</b>	

## STANDARD



## OPTIONAL



## ILLUMINATION

- Two fully adjustable ultra bright, round, 7.0 watt, MR-16 halogen lamp heads standard.
- High performance MR16 halogen lamps with smooth metallized reflector and glass lens for optimal light distribution

## ELECTRICAL

- Dual 120/277 voltage.
- Charge rate/power "ON" LED indicator light and push-to-test switch for mandated code compliance testing.
- LVD (low voltage disconnect) prevents battery from deep discharge.
- 6V maintenance-free, rechargeable sealed lead acid battery.
- Internal solid-state transfer switch automatically connects the internal battery to lamp heads for minimum 90-minute emergency illumination.
- Fully automatic solid-state, two rate charger initiates battery charging to recharge a discharged battery in 24 hours.

## MOUNTING

- Universal knockout pattern on the backplate for wall mount. Snaps into place making internal electrical connections.
- Knockout for conduit applications.

## HOUSING

- Injection-molded, engineering grade, 5VA flame retardant, high-impact resistant, thermoplastic in white or black finish.

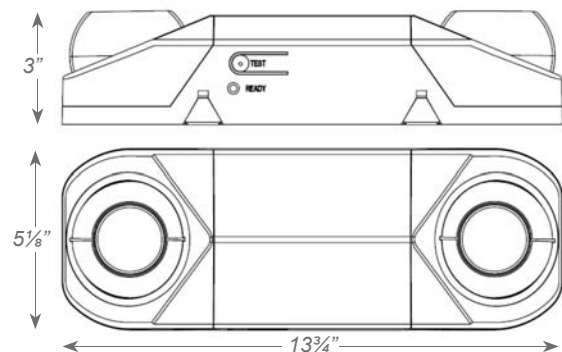
## OPTIONS

- USA: Substantial transformation assembly in the U.S. complies with "Assembled in the USA" under the Buy American Act.
- LED: 3.3W high performance MR-16 base LED Lamps for increased center-to-center spacing.
- PLED: 5.0W high performance MR-16 base LED Lamps for premium center-to-center spacing.

## WARRANTY / LISTING

- Five year warranty on all electronics and housing. Battery pro rated for two years.
- Meets UL924, NFPA 101 Life Safety Code, NEC, OSHA, Local and State Codes.
- UL Listed for damp locations (20°C – 40°C).

## DIMENSIONS



## ORDERING INFORMATION

Sample Part Number: RMR-16

Special voltage options available.  
Check with your Best Lighting Representative.

MODEL	HOUSING COLOR	OPTIONS
RMR-16	(blank) White	LED 3.3W High Lumen White LED Lamps
	B Black	USA Assembled in USA
		PLED 5.0W High Lumen White LED Lamps

# RMR-16 Semi-Recessed MR-16 Emergency Unit

<b>Project:</b>	
<b>Type:</b>	
<b>Catalog #:</b>	

## ELECTRICAL INFORMATION

CATALOG NUMBER	INPUT WATTS (W)		INPUT AMPS (A)	
	120V	277V	120V	277V
RMR-16	4.2	5.2	0.039	0.021