



LEDTFX-2

LED WET LOCATION REMOTE CAPABLE POLYCARBONATE EMERGENCY UNIT

STANDARD



OPTIONAL



ILLUMINATION

- Sealed and gasketed weather proof lamp heads with high performance chrome-plated metallized reflector and tempered glass lenses for optimal light distribution.
- Long lasting efficient ultra bright white LED lamp heads.
- 1.875 watt (15 LEDs x 0.125) per head.

ELECTRICAL

- Dual 120/277 voltage.
- Charge rate/power "ON" LED indicator light and push-to-test switch for mandated code compliance testing.
- 9.6V long life, maintenance-free, rechargeable NiCd battery.
- Remote capacity of 3.7 watt standard in operating temperatures of 0°C – 50°C.
- Internal solid-state transfer switch automatically connects the internal battery to LED lamp heads for minimum 90-minute emergency illumination.
- Fully automatic solid-state, two rate charger initiates battery charging to recharge a discharged battery in 24 hours.

MOUNTING

- External mounting brackets for simplified surface mounting.
- Knockout for conduit applications.

HOUSING

- Corrosion-resistant 5VA flame retardant UV-stabilized polycarbonate in gray or black finish.
- Sealed and gasketed housing with hinged cover.
- Sealed test switch.

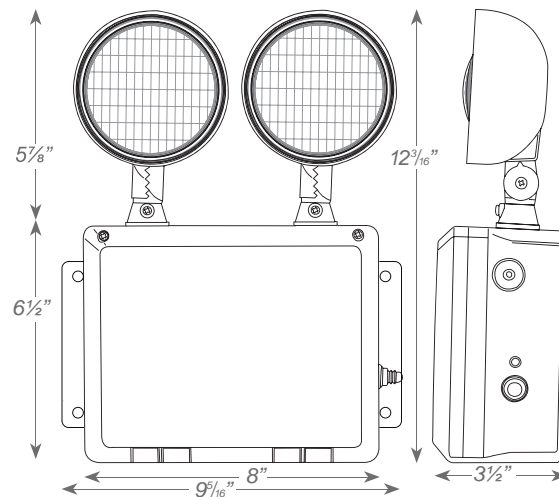
OPTIONS

- CEC: Certified to CEC under Title 20 Regulations.

WARRANTY / LISTING

- Five year warranty on all electronics and housing. Battery prorated for five years.
- Meets UL924, NFPA 101 Life Safety Code, NEC, OSHA, Local and State Codes.
- UL Listed for wet locations (-20°C – 50°C).

DIMENSIONS



ORDERING INFORMATION

Sample Part Number: LEDTFX-2

MODEL	HOUSING COLOR	OPTIONS
LEDTFX-2	(blank) Gray B Black	CEC Title 20 Compliant