

6HVCT15HRWH

6" MODULE - KFS

Project:	
Type:	
Catalog #:	

STANDARD



FEATURES

- Field selectable 2700k (soft white), 3000k (warm white), 3500k (warm/neutral white), 4000k (neutral white), and 5000k (cool white) color temperatures.*
- Long-life LEDs provide at least 70% of initial lumen output (L_{70}) for 119,000 hours of operation.**
- Color rendering index (R_a) > 90.
- 1,000 nominal lumens.
- 14 nominal watts.
- 120 AC voltage (60Hz) is standard.
- Power factor > 0.90.
- Triac dimming.
- Aluminum housing.
- Easy installation in new construction or retrofit applications.
- Type IC.
- This device is not intended for use with emergency exits.

* Contact factory for other color temperatures and lumen packages.

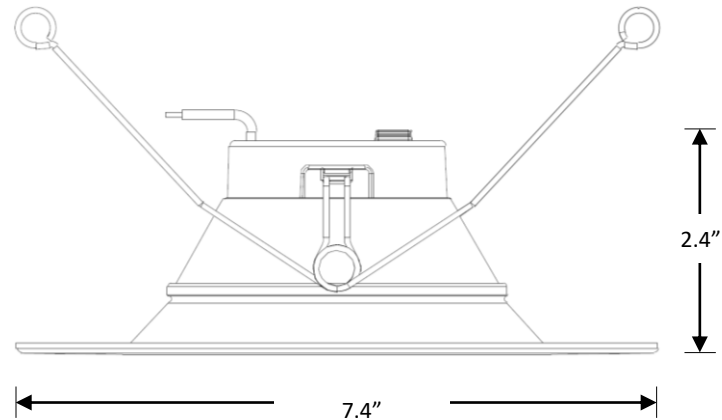
** L_{70} hours are IES TM-21-11 calculated hours.



WARRANTY & LISTINGS

- cETLus listed for damp locations.
- Energy Star certified.
- Compatible for new construction and retrofit applications.
- Complies with FCC Part 15, class B.
- Complies with EN61000-4-5 surge protection (0.5kV).
- 5-year warranty of all electronics and housing.

DIMENSIONS



Weight: 0.33 lbs.

ORDERING INFORMATION

Example: 6HVCT15HRWH

Series	Color Temperature
6HVCT15HRWH	Selectable CCT
	2700k
	3000k
	3500k
	4000k