

WELCOME

TO YOUR NEW HOME,
WELCOME TO **DAX**





WELCOME TO YOUR NEW HOME, WELCOME TO **DAX**

We believe in open doors to be opened.
We believe in a better life and a better future.

We have created a brand and a company that will fulfill all your home design needs, with excellent quality and permanent inventory for immediate response.

We will help you have a better life by improving the way you live it, bringing innovative and beautiful designs into your home.

We want you to be a part of our family.

CATALOG | **2023**





01	KITCHEN FAUCETS	PAGE 6-17
04	BATHROOM ACCESSORIES	PAGE 39-55
07	BATHROOM MIRRORS	PAGE 88-93

02	KITCHEN SINKS	PAGE 18-34
05	BATHROOM FAUCETS	PAGE 56-71
08	BATHTUBS	PAGE 94-97

03	KITCHEN ACCESSORIES	PAGE 35-38
06	BATHROOM SINKS	PAGE 72-87
09	BATHTUB FILLERS	PAGE 98-100

OUR PRODUCTS



10 TOILETS **PAGE** 101-105

13 SHOWER VALVES **PAGE** 115-122

16 DRAIN SYSTEMS **PAGE** 132-135

11 SHOWER PANELS **PAGE** 106-110

14 SHOWER HEADS **PAGE** 123-127

17 SHOWER ACCESSORIES **PAGE** 136-144

12 SHOWER SYSTEMS **PAGE** 111-114

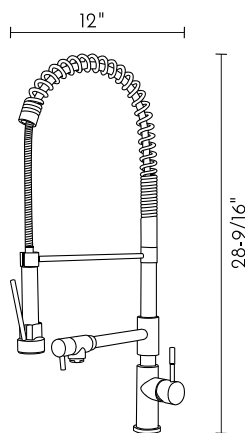
15 HAND SHOWERS **PAGE** 128-131

18 OUTDOOR SHOWERS **PAGE** 145-148



01 KITCHEN FAUCETS
SERIES

KITCHEN FAUCET

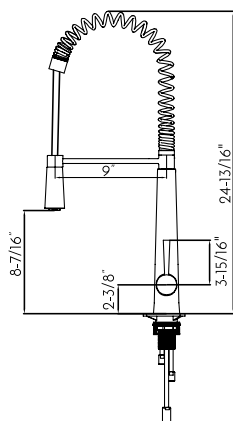


DAX - C001-05

FEATURES

- Pull down shower head
- Brushed stainless steel finish
- 304 stainless steel body casting
- Dual sprayer
- Stainless steel shower head
- Ceramic cartridge
- Flow rate 2.2 GPM
- Height 28-9/16"
- Installation hole 1-3/8"
- Water lines and mounting parts included

KITCHEN FAUCET

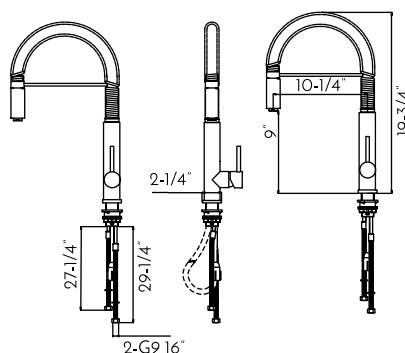


DAX - 001-03

FEATURES

- Pull down shower head
- Brushed stainless steel finish
- 304 stainless steel body casting
- Single sprayer
- Stainless steel shower head
- Ceramic cartridge
- Flow rate 2.2 GPM
- Height 24-13/16"
- Installation hole 1-3/8"
- Water lines and mounting parts included

KITCHEN FAUCET

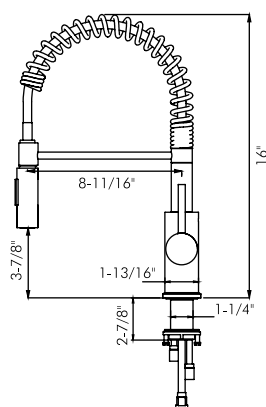


DAX - 2141

FEATURES

- Pull down shower head
- Brushed stainless steel finish
- 304 stainless steel body casting
- Single sprayer
- Stainless steel shower head
- Ceramic cartridge
- Flow rate 2.2 GPM
- Height 19-3/4"
- Installation hole 1-3/8"
- Water lines and mounting parts included

KITCHEN FAUCET

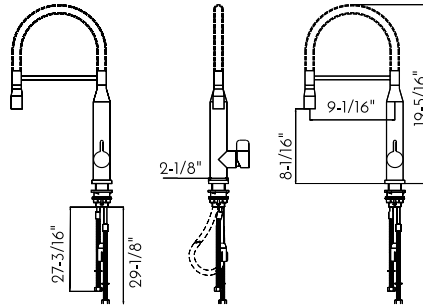


DAX - 6965C-BN

FEATURES

- Pull down shower head
- Brushed nickel finish
- Brass body casting
- Dual sprayer
- ABS shower head
- Ceramic cartridge
- Flow rate 1.5-2.2 GPM
- Height 16"
- Installation hole 1-3/8"
- Water lines and mounting parts included

KITCHEN FAUCET

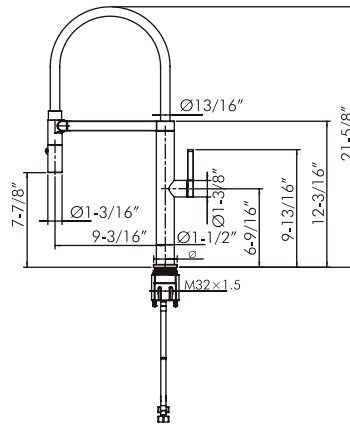


DAX - S1095A

FEATURES

- Pull down shower head
- Brushed stainless steel finish
- 304 stainless steel body casting
- Single sprayer
- Stainless steel shower head
- Ceramic cartridge
- Flow rate 2.2 GPM
- Height 19-5/16"
- Installation hole 1-3/8"
- Water lines and mounting parts included

KITCHEN FAUCET

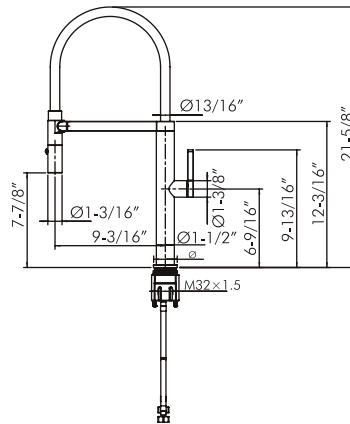


DAX - S2417-01

FEATURES

- Pull out shower head
- Gun metal finish
- Brass body casting
- Dual sprayer
- Stainless steel - ABS - Magnetic shower head
- Ceramic cartridge
- Flow rate 1.8 GPM
- Height 21-5/8"
- Installation hole 1-3/8"
- Water lines and mounting parts included

KITCHEN FAUCET

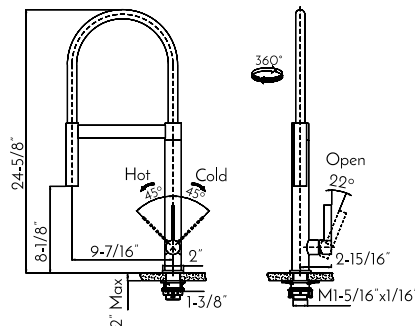


DAX - S2417-02

FEATURES

- Pull out shower head
- Black finish
- Brass body casting
- Dual sprayer
- Stainless steel - ABS - Magnetic shower head
- Ceramic cartridge
- Flow rate 1.8 GPM
- Height 21-5/8"
- Installation hole 1-3/8"
- Water lines and mounting parts included

KITCHEN FAUCET

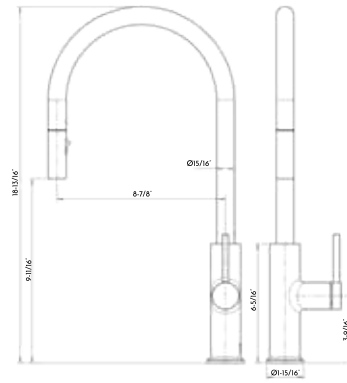


DAX - S1450

FEATURES

- Pull out shower head
- Brushed stainless steel finish
- 304 stainless steel body casting
- Dual sprayer
- Stainless steel shower head
- Ceramic cartridge
- Flow rate 2.2 GPM
- Height 24-5/8"
- Installation hole 1-3/8"
- Water lines and mounting parts included

KITCHEN FAUCET

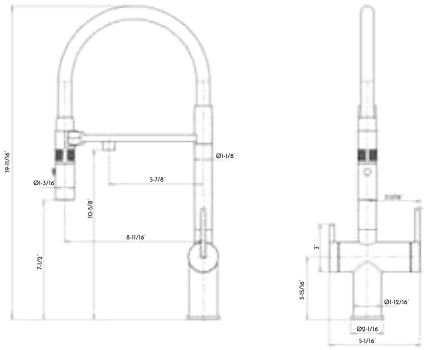


DAX - 8020058-BL

FEATURES

- Single Lever
- Flow Rate: 1.35 GPM
- Matte Black Finish
- Brass Body
- Installation Hole: 1-3/8"
- Ceramic cartridge
- Water lines and mounting parts included
- Pull Down Mixer

KITCHEN FAUCET



DAX - 8020094

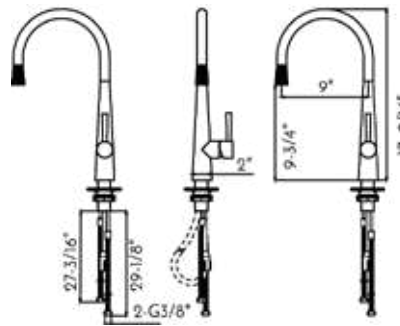
FEATURES

- Dual Function (Pre rinse/filter)
- Flow Rate: 1.32 GPM
- Brushed Nickel Finish
- Brass Body
- Installation Hole: 1-3/8"
- Ceramic cartridge
- Water lines and mounting parts included

FINISH

- DAX-8020094-BN Brushed Nickel
- DAX-8020094-CR Chrome
- DAX-8020094-BL Matt Black

KITCHEN FAUCET

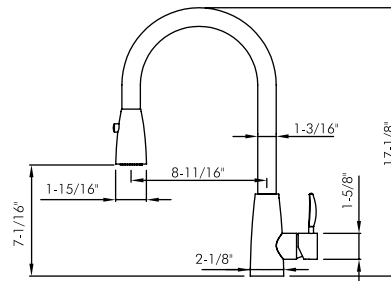


DAX - S1087P

FEATURES

- Pull down shower head
- Brushed stainless steel finish
- 304 stainless steel body casting
- Single sprayer
- Stainless steel shower head
- Ceramic cartridge
- Flow rate 2.2 GPM
- Height 17- 9/16"
- Installation hole 1-3/8"
- Water lines and mounting parts included

KITCHEN FAUCET

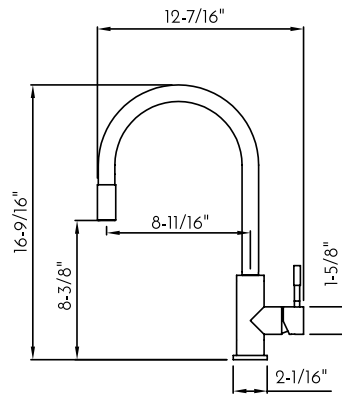


DAX - 002-02B

FEATURES

- Pull down shower head
- Brushed stainless steel finish
- 304 stainless steel body casting
- Dual sprayer
- Stainless steel shower head
- Ceramic cartridge
- Flow rate 2.2 GPM
- Height 17-1/8"
- Installation hole 1-3/8"
- Water lines and mounting parts included

KITCHEN FAUCET



DAX - 003-02

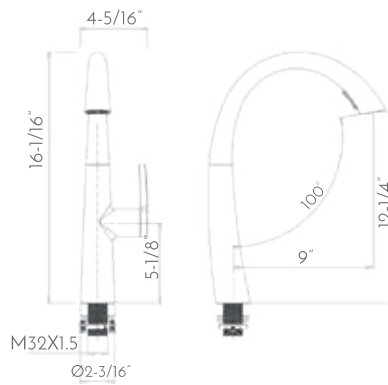
FEATURES

- Pull down shower head
- 304 stainless steel body casting
- Single sprayer
- Stainless steel shower head
- Ceramic cartridge
- Flow rate 2.2 GPM
- Height 16-9/16"
- Installation hole 1-3/8"
- Water lines and mounting parts included

FINISH

- DAX-003-02-BN Brushed stainless steel
- DAX-003-02-CR Chrome

KITCHEN FAUCET

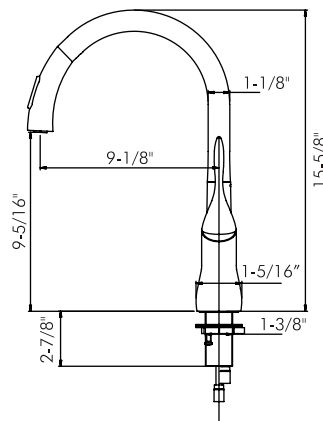


DAX-6975A-BN

FEATURES

- Single Handle
- Brushed Nickel Finish
- Flow Rate: 2.2 GPM at 60 PSI
- Brass Material
- Ceramic Cartridge

KITCHEN FAUCET

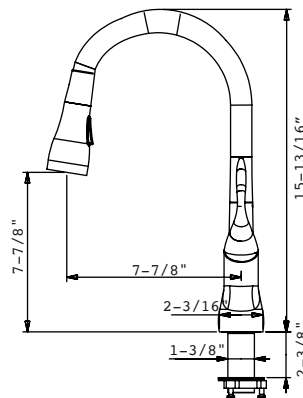


DAX - 6985E-BN

FEATURES

- Pull down shower head
- Brushed stainless steel finish
- 304 stainless steel body casting
- Single sprayer
- Stainless steel shower head
- Ceramic cartridge
- Flow rate 2.2 GPM
- Height 19-3/4"
- Installation hole 1-3/8"
- Water lines and mounting parts included

KITCHEN FAUCET

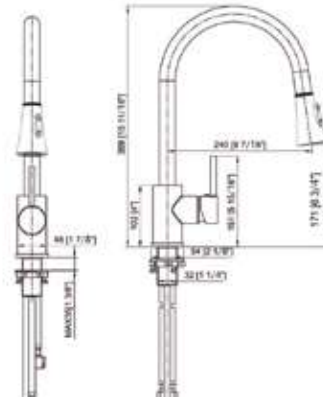


DAX - 6995C-BN

FEATURES

- Pull down shower head
- Brushed nickel finish
- Brass body casting
- Dual sprayer
- ABS shower head
- Ceramic cartridge
- Flow rate 1.5-2.2 GPM
- Height 15-13/16"
- Installation hole 1-3/8"
- Water lines and mounting parts included

KITCHEN FAUCET

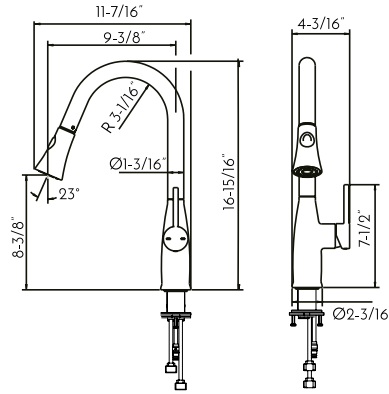


DAX - 8880

FEATURES

- Single handle pull down
- Brushed nickel finish
- 304 stainless steel body casting
- Dual sprayer
- Ceramic cartridge
- Flow rate 1.8 GPM
- Height 15-9/16"
- Installation hole 1-3/8"
- Water lines and mounting parts included
- UPC / ASME / ANSI / NSF approved
- Deck Mounted
- Drip free and spray dual control

KITCHEN FAUCET

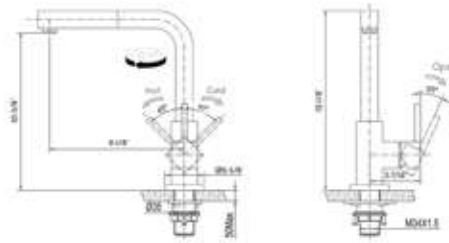


DAX - 8887

FEATURES

- Pull down shower head
- Brushed nickel finish
- Brass body casting
- Dual sprayer
- ABS shower head
- Ceramic cartridge
- Flow rate 1.8 GPM
- Height 16-15/16"
- Installation hole 1-3/8"
- Water lines and mounting parts included

KITCHEN FAUCET

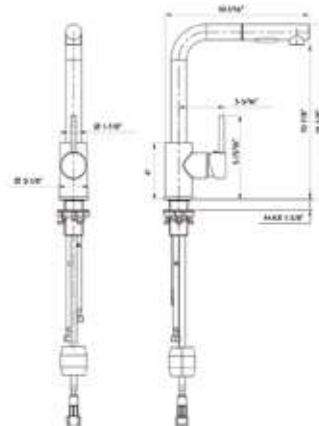


DAX - 12072-BN

FEATURES

- Single Lever
- Ceramic cartridge
- 304 Stainless Steel
- Flow rate 1.75 GPM
- UPC Approved
- Brushed Nickel Finish

KITCHEN FAUCET

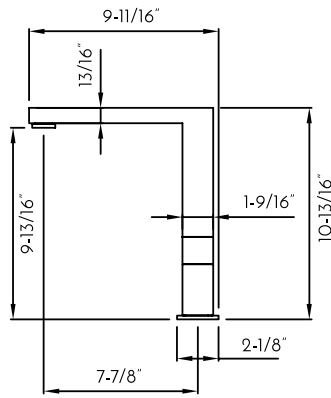


DAX-8213-BN

FEATURES

- Pull out shower head
- Ceramic Cartridge
- Brushed Stainless Steel Finish
- Flow Rate: 2.0 GPM
- Dual Sprayer
- cUPC - NSF61-9- AB1953 Approved
- Water lines and Mounting Parts Included
- Brass Body Casting

KITCHEN FAUCET

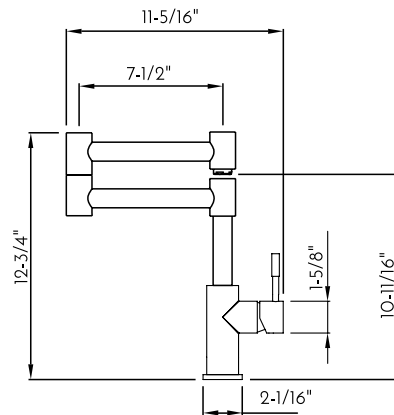


DAX - O17-O1

FEATURES

- Fixed shower head
- Brushed stainless steel finish
- 304 stainless steel body casting
- Single sprayer
- Ceramic cartridge
- Flow rate 2.2 GPM
- Height 10-13/16"
- Installation hole 1-3/8"
- Water lines and mounting parts included

KITCHEN FAUCET

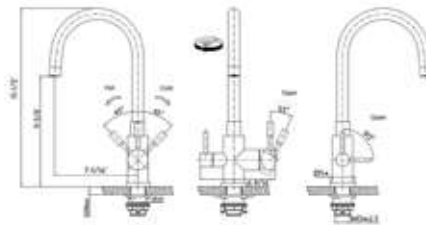


DAX - 006-O1

FEATURES

- Fixed shower head
- Brushed stainless steel finish
- 304 stainless steel body casting
- Single sprayer
- Ceramic cartridge
- Flow rate 2.2 GPM
- Height 12-3/4"
- Installation hole 1-3/8"
- Water lines and mounting parts included

KITCHEN FAUCET

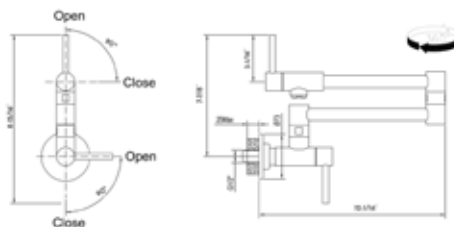
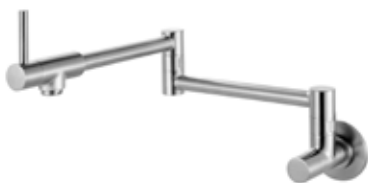


DAX-16005-BN

FEATURES

- Dual Function (Pre rinse/filter)
- Brushed Nickel Finish
- Flow Rate: 1.75 GPM
- 304 Stainless Steel
- Ceramic Cartridge
- UPC Approved
- 304 Stainless Steel
- Ceramic Cartridge

KITCHEN FAUCET

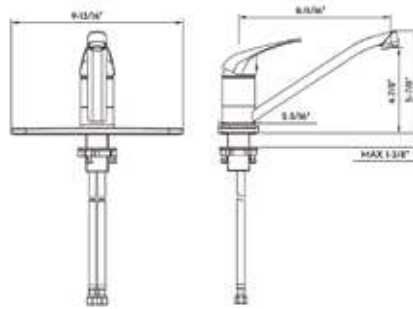


DAX-10013-BN

FEATURES

- Pot Filler
- Brushed Nickel Finish
- 304 Stainless Steel
- Flow Rate: 1.75 GPM

KITCHEN FAUCET

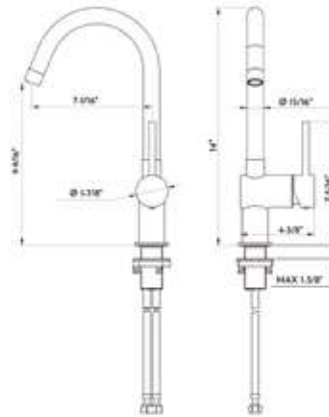


DAX-8237-BN

FEATURES

- Single Handle
- Ceramic Cartridge
- Brushed Stainless Steel Finish
- Flow Rate: 2.0 GPM
- Deck Plate Cover 9-3/4"
- Water Lines and Mounting Parts Included
- Brass Body Casting

KITCHEN FAUCET

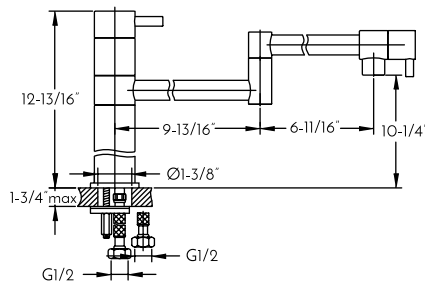


DAX-8240-BN

FEATURES

- Single Handle
- Ceramic Cartridge
- Brushed Stainless Steel Finish
- Flow Rate: 2.0 GPM
- Installation Hole 1-3/8"
- cUPC - NSF61-9 - AB1953 Approved
- Water lines and Mounting Parts Included
- Brass Body Casting

KITCHEN FAUCET

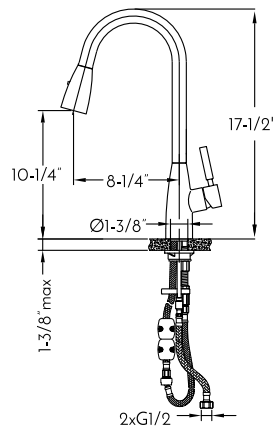


DAX - 8729

FEATURES

- Fixed shower head
- Chrome finish
- Brass body casting
- Single sprayer
- Ceramic cartridge
- Flow rate 1.8 GPM
- Height 12-13/16"
- Installation hole 1-3/8"
- Water lines and mounting parts included

KITCHEN FAUCET



DAX - 8782

FEATURES

- Pull down shower head
- Chrome finish
- Brass body casting
- Dual sprayer
- ABS shower head
- Ceramic cartridge
- Flow rate 1.8 GPM
- Height 17-1/2"
- Installation hole 1-3/8"
- Water lines and mounting parts included

DAX - 017-01



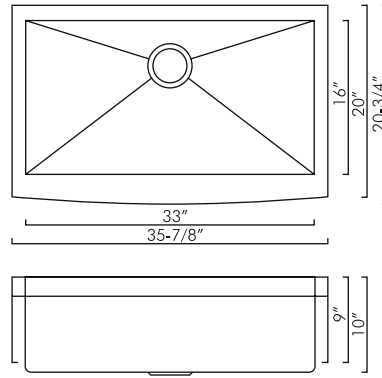






02 KITCHEN SINKS
SERIES

FARMHOUSE SINK



DAX - SQ-3621

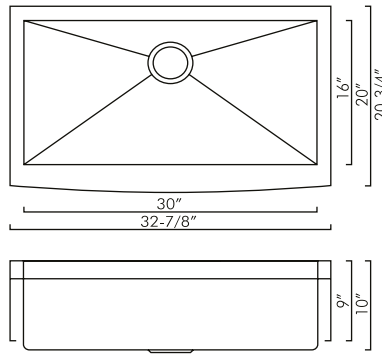
FEATURES

- Farm house sink
- Handmade sink
- Omm radius corner
- Undermount or overmount
- 304 Stainless Steel
- 16 gauge
- Brushed Stainless Steel
- Over all size: 35-7/8" x 20-3/4" Depth: 10"
- Standard 3-1/2" drain opening
- Undercoated and sound pads
- Mounting clips and cutting template

ACCESSORIES

- Bottom grid included
- Stainless steel basket strainer (1 pc included)
- Stainless steel standard strainer not included (available)
- Round stainless steel colander included
- Square stainless steel colander not included (available)
- Grey silicone dish rack not included (available)

FARMHOUSE SINK



DAX - SQ-3321

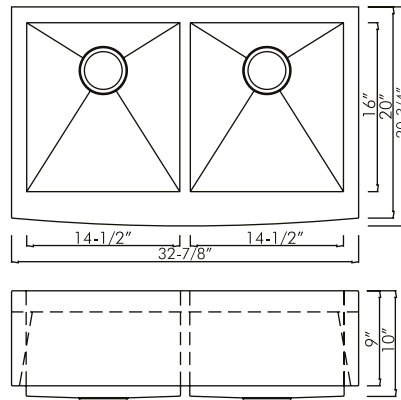
FEATURES

- Farm house sink
- Handmade sink
- Omm radius corner
- Undermount or overmount
- 304 Stainless Steel
- 16 gauge
- Brushed Stainless Steel
- Over all size: 32-7/8" x 20-3/4" Depth: 10"
- Standard 3-1/2" drain opening
- Undercoated and sound pads
- Mounting clips and cutting template

ACCESSORIES

- Bottom grid included
- Stainless steel basket strainer (1 pc included)
- Stainless steel standard strainer not included (available)
- Round stainless steel colander included
- Square stainless steel colander not included (available)
- Grey silicone dish rack not included (available)

FARMHOUSE SINK



DAX - SQ-3320F

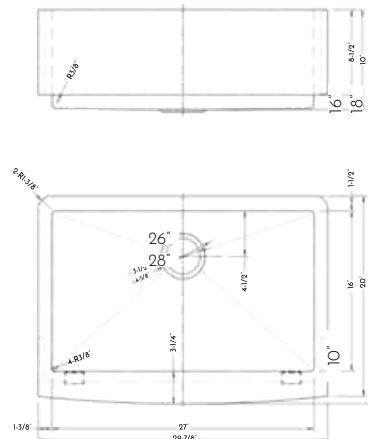
FEATURES

- Farm house sink
- Handmade sink
- Omm radius corner
- Undermount or overmount
- 304 Stainless Steel
- 16 gauge
- Brushed Stainless Steel
- Over all size: 32-7/8" x 20-3/4" Depth: 10"
- Standard 3-1/2" drain opening
- Undercoated and sound pads
- Mounting clips and cutting template

ACCESSORIES

- Bottom grid included
- Stainless steel basket strainer (1 pc included)
- Stainless steel standard strainer not included (available)
- Round stainless steel colander included
- Square stainless steel colander not included (available)
- Grey silicone dish rack not included (available)

FARMHOUSE SINK



DAX - H3021-R10

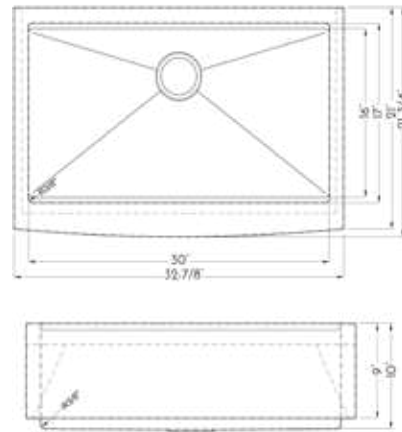
FEATURES

- Handmade sink
- 18 Gauge
- Farm Sink
- 304 Stainless Steel
- Brushed Stainless Steel
- Overall Size 29-7/8" x 20-3/4" x 10"
- Standard 3-1/2" drain opening
- Undercoated and sound pads
- Mounting clips and cutting template

ACCESSORIES

- Bottom grid included
- Strainer included

FARMHOUSE SINK

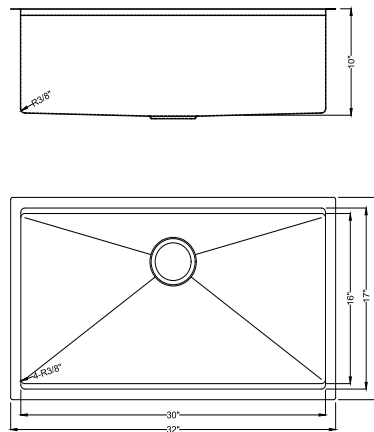
**DAX - WS3321-R10****FEAUTES**

- Handmade sink
- Apron
- 304 Stainless Steel
- 16 gauge
- Brushed finish
- Over all size: 32-7/8" x 21-3/4" x 10"
- Standard 3-1/2" drain opening
- Undercoated and sound pads
- Mounting clips and cutting template

ACCESSORIES

- Stainless Steel Basket strainer included
- Stainless Steel Bottom grid included
- Basing Rack included
- Wooden cutting board included
- Colander included

UNDERMOUNT INSTALLATION

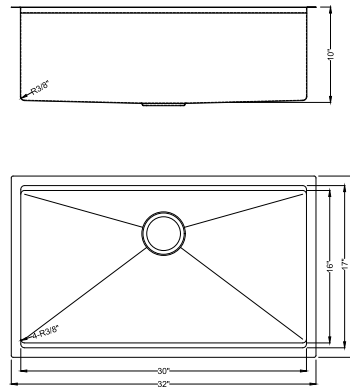
**DAX - WS3219-R10****FEAUTES**

- 304 Stainless Steel
- Undermount Installation
- Rectangular Shape
- 16 Gauge
- Brushed Finish
- Single Bowl
- Over All Size: 32" x 19" x 10"
- Cutting template
- Undecoated and Sound Pads

ACCESSORIES

- Bottom grid included
- Stainless steel basket strainer included
- Basing Rack included
- Colander included
- Wooden cutting board included

UNDERMOUNT INSTALLATION

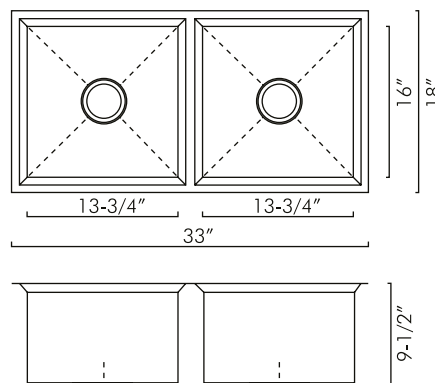
**DAX - WS3019-R10****FEAUTES**

- 304 Stainless Steel
- Undermount Installation
- Rectangular Shape
- 16 Gauge
- Brushed Finish
- Single Bowl
- Over All Size: 30" x 19" x 10"
- Cutting template
- Undercoated and Sound Pads

ACCESSORIES

- Bottom grid included
- Stainless steel basket strainer included
- Basing Rack included
- Colander included
- Wooden cutting board included

UNDERMOUNT SINK

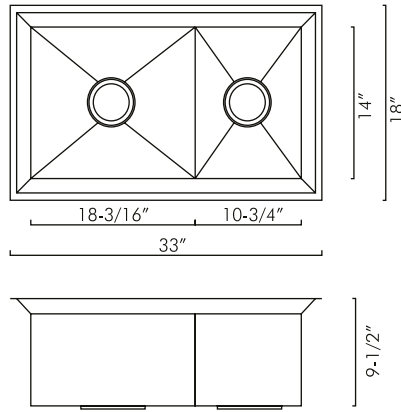
**DAX - SQ-3318C****FEATURES**

- Handmade sink
- Omm radius corner
- Undermount
- 304 Stainless Steel
- 16 gauge
- Brushed Stainless Steel - Chrome 45° lip
- Over all size 33" x 18" Depth 9 1/2"
- Standard 3 1/2" drain opening
- Undercoated and sound pads
- Mounting clips and cutting template

ACCESSORIES

- Bottom Grid included
- Stainless Stell Basket Strainer included
- Round Stainless Steel Colander included
- Grey silicone dish rack not included (available)

UNDERMOUNT SINK



DAX - SQ-3318A

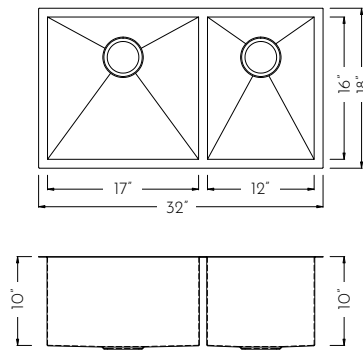
FEATURES

- Handmade sink
- 0mm radius corner
- Undermount
- 304 Stainless Steel
- 16 gauge
- Brushed Stainless Steel - Chrome 45° lip
- Over all size 33" x 18" Depth 9 1/2"
- Standard 3 1/2" drain opening
- Undercoated and sound pads
- Mounting clips and cutting template

ACCESSORIES

- Bottom Grid included
- Stainless Stell Basket Strainer included
- Round Stainless Steel Colander included
- Grey silicone dish rack not included (available)

UNDERMOUNT SINK



DAX - SQ-3218

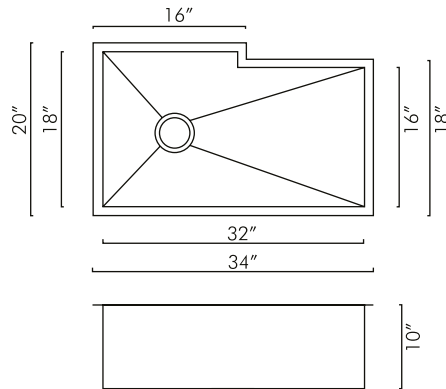
FEAUTRES

- Handmade sink
- 0mm radius corner
- Undermount
- 304 Stainless Steel
- 16 gauge
- Brushed Stainless Steel
- Over all size 32" x 18" Depth 10"
- Standard 3 1/2" drain opening
- Undercoated and sound pads
- Mounting clips and cutting template

ACCESSORIES

- Bottom grid included
- Stainless steel basket strainer (1 pc included)
- Stainless steel standard strainer not included (available)
- Round stainless stell colander included
- Square stainless steel colander not included (available)
- Grey silicone dish rack not included (available)

UNDERMOUNT SINK



DAX - SQ-3420F

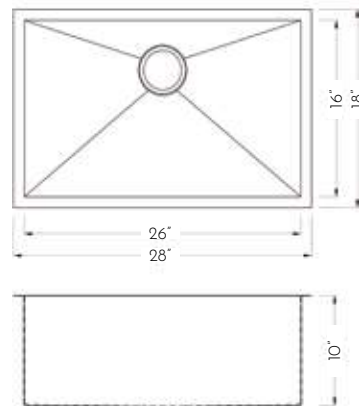
FEATURES

- Handmade sink
- 0mm radius corner
- Undermount
- 304 Stainless Steel
- 16 gauge
- Brushed Stainless Steel
- Over all size: 34" x 20" Depth: 10"
- Standard 3-1/2" drain opening
- Undercoated and sound pads
- Mounting clips and cutting templat

ACCESSORIES

- Bottom grid included
- Stainless steel basket strainer (1 pc included)
- Stainless steel standard strainer not included (available)
- Round stainless steel colander included
- Square stainless steel colander not included (available)
- Grey silicone dish rack not included (available)

UNDERMOUNT SINK



DAX - SQ-2818

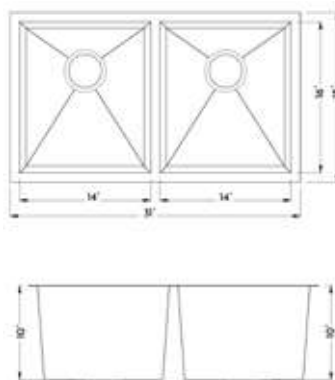
FEAUTRES

- Handmade sink
- 0mm radius corner
- Undermount
- 304 Stainless Steel
- 16 gauge
- Brushed Stainless Steel
- Overall size 28" x 18" Depth 10"
- Standard 3 1/2" drain opening
- Undercoated and sound pads
- Mounting clips and cutting template

ACCESSORIES

- Bottom grid included
- Stainless steel basket strainer (1 pc included)
- Stainless steel standard strainer not included (available)
- Round stainless steel colander included
- Square stainless steel colander not included (available)
- Grey silicone dish rack not included (available)

UNDERMOUNT SINK

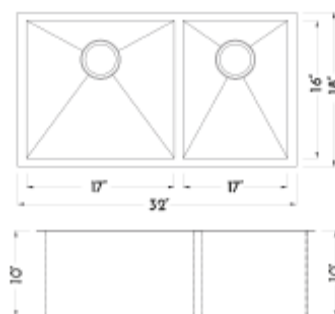
**DAX - SQ-3118A-X****FEATURES**

- Handmade sink
- 304 Stainless Steel
- Undermount installation
- Rectangular shape
- 18 gauge
- Brushed finish
- Double bowl 50/50
- Over all size: 31" x 18" (Depth: 10")
- Cutting template
- Undercoated and sound pads

ACCESSORIES

- Bottom grid not included (available)
- Stainless steel basket strainer not included (available)
- Stainless steel standard strainer not included (available)
- Round stainless steel colander not included (available)
- Square stainless steel colander not included (available)
- Grey silicone dish rack not included (available)

UNDERMOUNT SINK

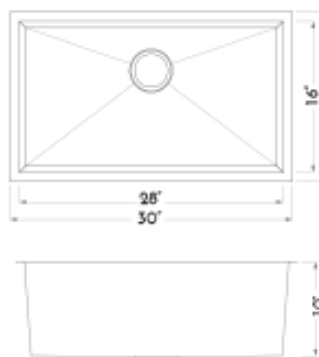
**DAX - SQ-3218-X****FEATURES**

- Handmade sink
- Omm radius corner
- Undermount
- 304 Stainless Steel
- 16 gauge
- Brushed Stainless Steel
- Size W 23" x H 8-1/2" x D 6"
- Standard 3-1/2" drain opening
- Undercoated and sound pads
- Mounting clips and cutting template

ACCESSORIES

- Stainless steel basket strainer not included (available)
- Stainless steel standard strainer not included (available)
- Grey silicone dish rack not included (available)

UNDERMOUNT SINK

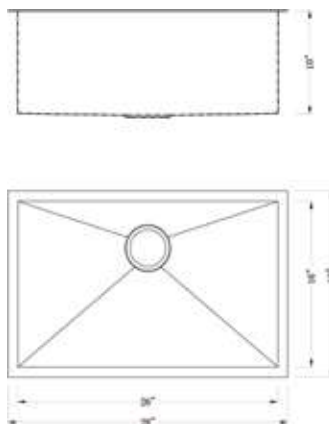
**DAX - SQ-3018-X****FEATURES**

- Handmade sink
- Omm radius corner
- Undermount
- 304 Stainless Steel
- 18 gauge
- Brushed Stainless Steel
- Over all size 30" x 18" Depth 10"
- Standard 3 1/2" drain opening
- Undercoated and sound pads
- Mounting clips and cutting template

ACCESSORIES

- Bottom grid not included (available)
- Stainless steel basket strainer not included (available)
- Stainless steel standard strainer not included (available)
- Round stainless steel colander not included (available)
- Square stainless steel colander not included (available)
- Grey silicone dish rack not included (available)

UNDERMOUNT SINK

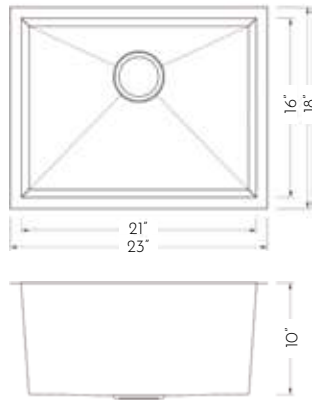
**DAX - SQ-2818-X****FEATURES**

- Handmade sink
- 304 Stainless Steel
- Undermount installation
- Rectangular shape
- 16 gauge
- Brushed finish
- UPC approved
- Over all size: 28" x 18" (Depth: 10")
- Cutting template
- Undercoated and sound pad

ACCESSORIES

- Bottom grid included
- Stainless steel basket strainer included
- Stainless steel standard strainer not included (available)
- Round stainless steel colander included
- Square stainless steel colander not included (available)
- Grey silicone dish rack not included (available)

UNDERMOUNT SINK



DAX - SQ-2318-X

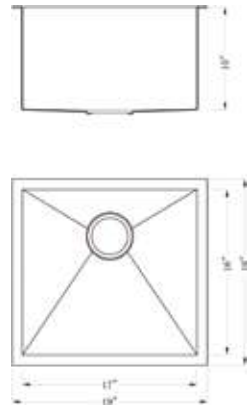
FEATURES

- Handmade sink
- Omm radius corner
- Undermount
- 304 Stainless Steel
- 18 gauge
- Brushed Stainless Steel
- Over all size 23" x 18" Depth 10"
- Standard 3 1/2" drain opening
- Undercoated and sound pads
- Mounting clips and cutting template

ACCESSORIES

- Bottom grid not included (available)
- Stainless steel basket strainer not included (available)
- Stainless steel standard strainer not included (available)
- Round stainless steel colander not included (available)
- Square stainless steel colander not included (available)
- Grey silicone dish rack not included (available)

UNDERMOUNT SINK



DAX - SQ-1918-X

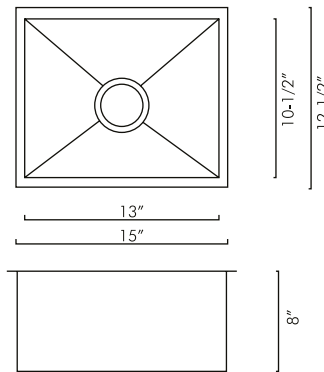
FEATURES

- Handmade sink
- Omm radius corner
- Undermount
- 304 Stainless Steel
- 18 gauge
- Brushed Stainless Steel
- Size W 23" x H 18" x D 10"
- Standard 3-1/2" drain opening
- Undercoated and sound pads
- Mounting clips and cutting template

ACCESSORIES

- Bottom Grid not included (available)
- Stainless Steel Basket strainer not included (available)
- Stainless steel standard strainer not included (available)
- Round stainless steel colander not included (available)
- Square stainless steel colander not included (available)
- Grey silicone dish rack not included (available)

UNDERMOUNT SINK



DAX - SQ-1512

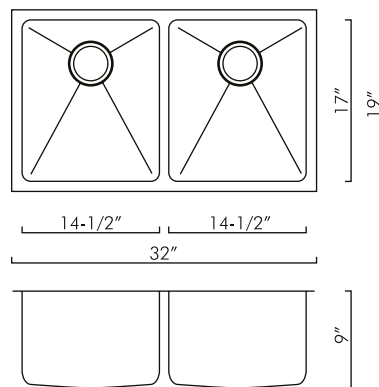
FEATURES

- Handmade sink
- Omm radius corner
- Undermount
- 304 Stainless Steel
- 16 gauge
- Brushed Stainless Steel
- Size W 15" x H 12-1/2" x D 8"
- Standard 3-1/2" drain opening
- Undercoated and sound pads
- Mounting clips and cutting template

ACCESSORIES

- Bottom grid included
- Stainless steel basket strainer (1 pc included)
- Stainless steel standard strainer not included (available)
- Round stainless steel colander included
- Grey silicone dish rack not included (available)

UNDERMOUNT SINK



DAX - 3118B

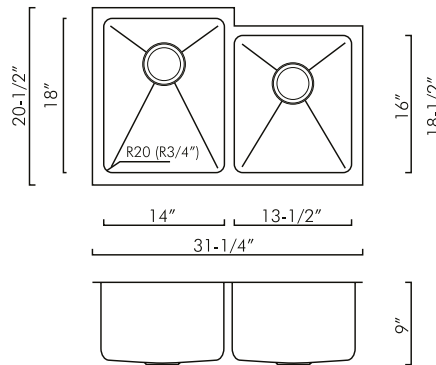
FEATURES

- Handmade sink
- 15 mm radius corner
- Undermount
- 304 Stainless Steel
- 18 gauge
- Brushed Stainless Steel
- Over all size: 32" x 19" Depth: 9"
- Standard 3-1/2" drain opening
- Undercoated and sound pads
- Mounting clips and cutting template

ACCESSORIES

- Bottom grid included
- Stainless steel basket strainer (1 pc included)
- Stainless steel basket strainer (1 pc included)
- Stainless steel standard strainer not included (available)
- Round stainless steel colander included
- Square stainless steel colander not included (available)
- Grey silicone dish rack not included (available)

UNDERMOUNT SINK

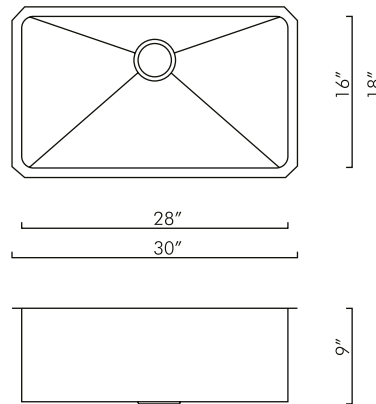
**DAX - 3120-B****FEATURES**

- Handmade sink
- 15 mm radius corner
- Undermount
- 304 Stainless Steel
- 18 gauge
- Brushed Stainless Steel
- Over all size: 31-1/4" x 20-1/2" Depth: 9"
- Standard 3-1/2" drain opening
- Undercoated and sound pads
- Mounting clips and cutting template

ACCESSORIES

- Bottom grid included
- Stainless steel basket strainer (1 pc included)
- Stainless steel basket strainer (1 pc included)
- Stainless steel standard strainer not included (available)
- Round stainless steel colander included
- Square stainless steel colander not included (available)
- Grey silicone dish rack not included (available)

UNDERMOUNT SINK

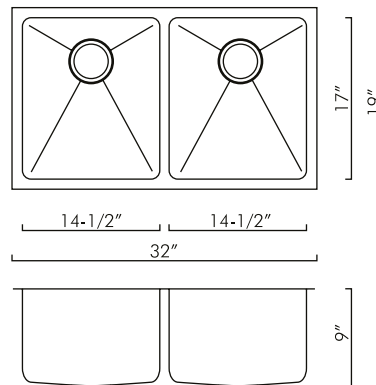
**DAX - 3018B-X****FEATRES**

- Handmade sink
- 15mm radius corner
- Undermount
- 304 Stainless Steel
- 18 gauge
- Brushed Stainless Steel
- Over all size: 30" x 18" Depth: 9"
- Standard 3 1/2" drain opening
- Undercoated and sound pads
- Mounting clips and cutting template

ACCESSORIES

- Bottom grid not included (available)
- Stainless steel basket strainer not included (available)
- Stainless steel standard strainer not included (available)
- Round stainless stell colander not included (available)
- Square stainless steel colander not included (available)
- Grey silicone dish rack not included (available)

UNDERMOUNT SINK

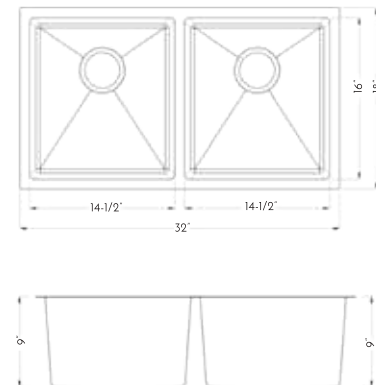
**DAX - 3118B-X****FEATRES**

- Handmade sink
- 15mm radius corner
- Undermount
- 304 Stainless Steel
- 18 gauge
- Brushed Stainless Steel
- Over all size: 32" x 19" Depth: 9"
- Standard 3 1/2" drain opening
- Undercoated and sound pads
- Mounting clips and cutting template

ACCESSORIES

- Bottom grid not included (available)
- Stainless steel basket strainer not included (available)
- Stainless steel standard strainer not included (available)
- Round stainless stell colander not included (available)
- Square stainless steel colander not included (available)
- Grey silicone dish rack not included (available)

UNDERMOUNT SINK

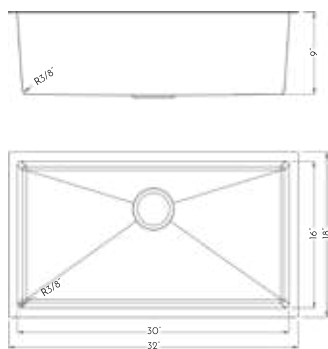
**DAX - T3218-R10****FEATURES**

- Double Bowl
- Undermount
- 304 Stainless Steel
- 18 gauge
- Brushed finish
- Over all Size W 32" x H 18" x D 9"
- Standard 3-1/2" drain opening
- Undercoated and sound pads
- Mounting clips and cutting template

ACCESSORIES

- Stainless steel basket strainer not included (available)
- Stainless steel bottom grid not included (available)

UNDERMOUNT SINK



DAX - T3318-R10

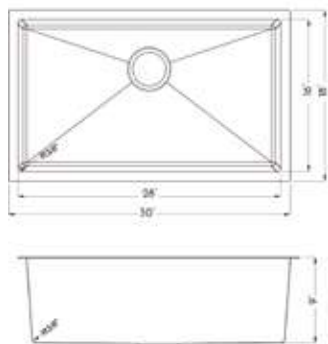
FEATURES

- Single Bowl
- 18 Gauge
- 304 Stainless Steel
- Brushed Stainless Steel
- Overall Size 32" x 18" x 9"
- Standard 3-1/2" drain opening
- Undercoated and sound pads
- Mounting clips and cutting template

ACCESSORIES

- Bottom Grid not included (Available)

UNDERMOUNT SINK



DAX - T3018-R10

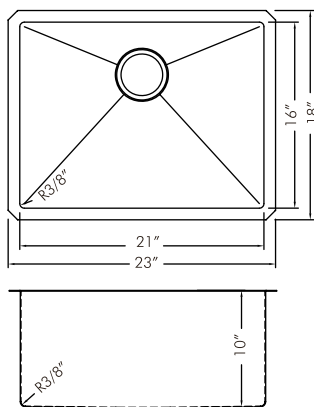
FEATURES

- Single Bowl
- Undermount
- 304 Stainless Steel
- 18 gauge
- Brushed finish
- Over all size W 30" x H 18" x D 9"
- Standard 3-1/2" drain opening
- Undercoated and sound pads
- Mounting clips and cutting template

ACCESSORIES

- Stainless Steel Basket strainer included
- Stainless Steel Bottom grid included

UNDERMOUNT SINK



DAX - T2318-R10

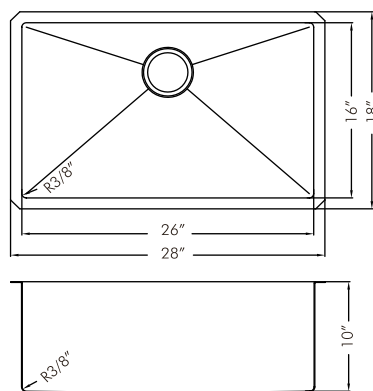
FEATURES

- Handmade sink
- 10 mm radius corner
- Undermount
- 304 Stainless Steel
- 18 gauge
- Brushed Stainless Steel
- Over all size: 23" x 18" Depth: 10"
- Standard 3-1/2" drain opening
- Undercoated and sound pads
- Mounting clips and cutting template

ACCESSORIES

- Bottom grid included
- Stainless steel basket strainer (1 pc included)
- Stainless steel standard strainer not included (available)
- Square stainless steel colander not included (available)
- Grey silicone dish rack included

UNDERMOUNT SINK



DAX - 2818-R10

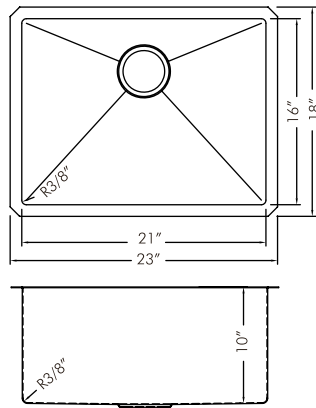
FEATURES

- Handmade sink
- 10 mm radius corner
- Undermount
- 304 Stainless Steel
- 18 gauge
- Brushed Stainless Steel
- Over all size: 28" x 18" Depth: 10"
- Standard 3-1/2" drain opening
- Undercoated and sound pads
- Mounting clips and cutting template

ACCESSORIES

- Bottom grid included
- Stainless steel basket strainer (1 pc included)
- Stainless steel standard strainer not included (available)
- Square stainless steel colander not included (available)
- Grey silicone dish rack included

UNDERMOUNT SINK

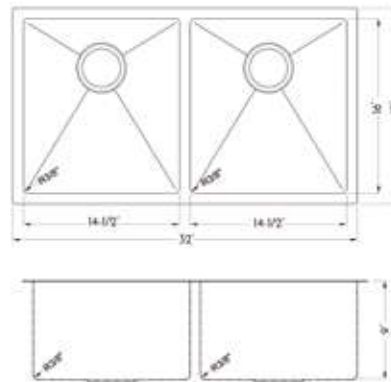
**DAX - 2318-R10****FEATURES**

- Handmade sink
- 10 mm radius corner
- Undermount
- 304 Stainless Steel
- 18 gauge
- Brushed Stainless Steel
- Over all size: 23" x 18" Depth: 10"
- Standard 3-1/2" drain opening
- Undercoated and sound pads
- Mounting clips and cutting template

ACCESSORIES

- Bottom grid included
- Stainless steel basket strainer (1 pc included)
- Stainless steel standard strainer not included (available)
- Square stainless steel colander not included (available)
- Grey silicone dish rack included

UNDERMOUNT SINK

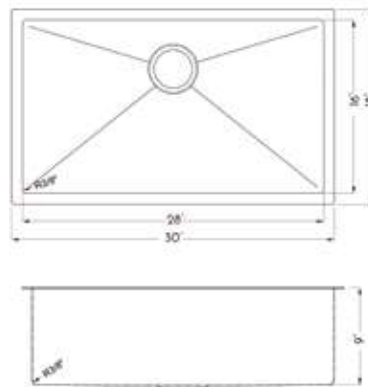
**DAX - NB3218-R10-X****FEAUTRES**

- Handmade sink
- Undermount
- 304 Stainless Steel
- 18 gauge
- Nano Black finish
- Over all size: 32" x 18" x 9"
- Standard 3-1/2" drain opening
- Undercoated and sound pads
- Mounting clips and cutting template

ACCESSORIES

- Stainless Steel Basket strainer included
- Stainless Steel Bottom grid included
- Wooden cutting board included

UNDERMOUNT SINK

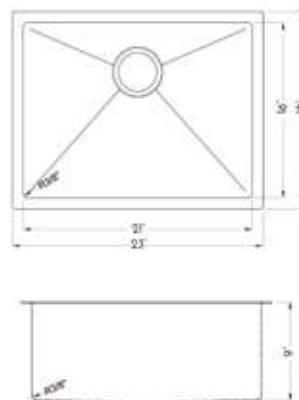
**DAX - NB3018-R10-X****FEATURES**

- Handmade sink
- Undermount
- 304 Stainless Steel
- 18 gauge
- Nano Black finish
- Size W 30" x H 18" x D 9"
- Standard 3-1/2" drain opening
- Undercoated and sound pads
- Mounting clips and cutting template

ACCESSORIES

- Stainless steel basket strainer not included (available)
- Stainless steel bottom grid not included (available)
- Wooden cutting board

UNDERMOUNT SINK

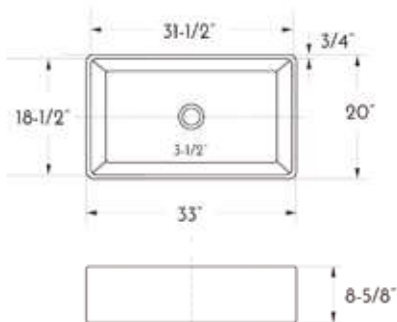
**DAX - NB2318-R10-X****FEATURES**

- 304 Stainless Steel
- Undermount Installation
- Rectangular Shape
- 18 Gauge
- Nano Black finish
- Single Bowl
- Over All Size: W 23" x H 18" x D 9"
- Cutting template
- Undercoated and Sound Pads

ACCESSORIES

- Stainless steel basket strainer not included (available)
- Stainless steel bottom grid not included (available)
- Wooden cutting board

CERAMIC APRON SINK



DAX - C3320

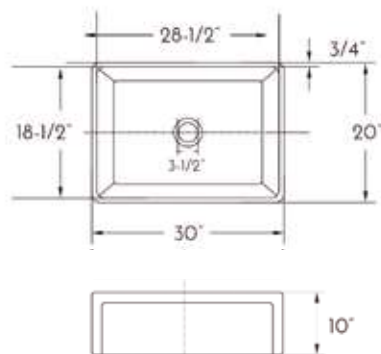
FEATURES

- 10mm radius corner
- Undermount or overmount
- Ceramic farmhouse sink
- Reversible apron
- White Finish
- Over all size 33" x 20" Depth: 8 5/8"
- Standard 3 1/2" drain opening

ACCESSORIES

- Ceramic basket strainer not included (available)

CERAMIC APRON SINK



DAX - C3020

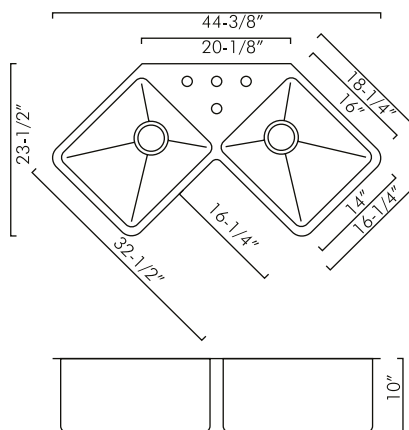
FEATURES

- 10mm radius corner
- Undermount or overmount
- Ceramic farmhouse sink
- Reversible apron
- White Finish
- Over all size 30" x 20" Depth: 10"
- Standard 3 1/2" drain opening

ACCESSORIES

- Ceramic basket strainer not included (available)

UNDERMOUNT SINK



DAX - 334

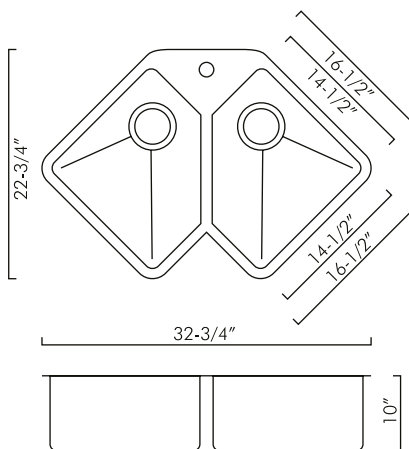
FEATURES

- Handmade sink
- 15mm radius corner
- Undermount
- 304 Stainless Steel
- 16 gauge
- Brushed Stainless Steel
- Size W 44-3/8" x H 23-1/2" x D 10"
- Standard 3-1/2" drain opening
- Undercoated and sound pads

ACCESSORIES

- Bottom grid included
- Stainless steel basket strainer (1 pc included)
- Stainless steel standard strainer not included (available)
- Round stainless steel colander included
- Grey silicone dish rack not included (available)

UNDERMOUNT SINK



DAX - 347

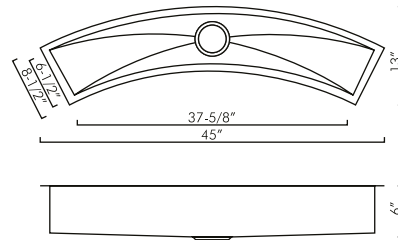
FEATURES

- Handmade sink
- 15mm radius corner
- Undermount
- 304 Stainless Steel
- 16 gauge
- Brushed Stainless Steel
- Size W 32-3/4" x H 22-3/4" x D 10"
- Standard 3-1/2" drain opening
- Undercoated and sound pads
- Mounting clips and cutting template

ACCESSORIES

- Bottom grid included
- Stainless steel basket strainer (1 pc included)
- Stainless steel standard strainer not included (available)
- Round stainless steel colander included
- Grey silicone dish rack not included (available)

BAR SINK

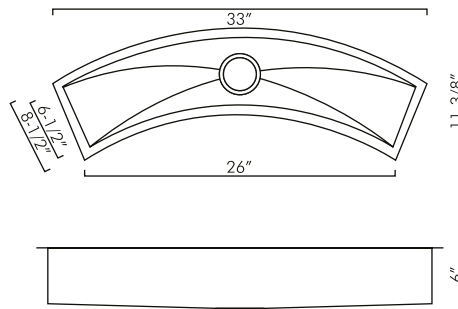
**DAX - SQ-4512-C****FEATURES**

- Handmade sink
- Omm radius corner
- Undermount
- 304 Stainless Steel
- 16 gauge
- Brushed Stainless Steel
- Size W 45" x H 13" x D 6"
- Standard 3-1/2" drain opening
- Undercoated and sound pads
- Mounting clips and cutting template

ACCESSORIES

- Stainless steel basket strainer not included (available)
- Stainless steel standard strainer not included (available)
- Grey silicone dish rack not included (available)

BAR SINK

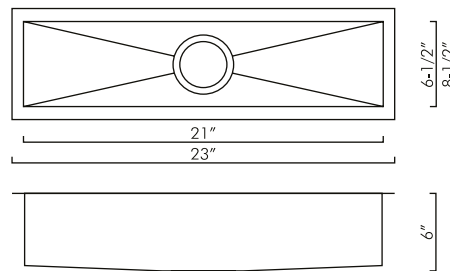
**DAX - SQ-3312-C****FEATURES**

- Handmade sink
- Omm radius corner
- Undermount
- 304 Stainless Steel
- 16 gauge
- Brushed Stainless Steel
- Over all size: 33" x 11-3/8" Depth: 6"
- Standard 3-1/2" drain opening
- Undercoated and sound pads
- Mounting clips and cutting template

ACCESSORIES

- Stainless steel basket strainer not included (available)
- Stainless steel standard strainer not included (available)
- Grey silicone dish rack not included (available)

BAR SINK

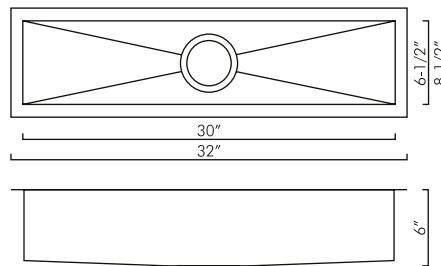
**DAX - SQ-2385****FEATURES**

- Handmade sink
- Omm radius corner
- Undermount
- 304 Stainless Steel
- 16 gauge
- Brushed Stainless Steel
- Over all size: 23" x 8-1/2" Depth: 6"
- Standard 3-1/2" drain opening
- Undercoated and sound pads
- Mounting clips and cutting template

ACCESSORIES

- Stainless steel basket strainer not included (available)
- Stainless steel standard strainer not included (available)
- Grey silicone dish rack not included (available)

BAR SINK

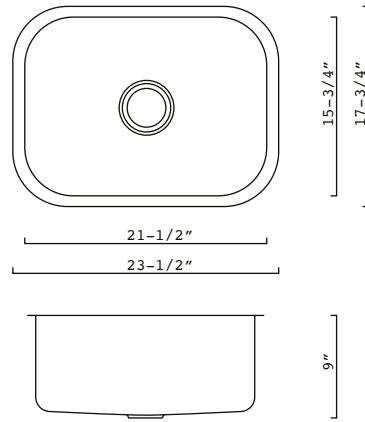
**DAX - SQ-3285****FEATURES**

- Handmade sink
- Omm radius corner
- Undermount
- 304 Stainless Steel
- 16 gauge
- Brushed Stainless Steel
- Over all size: 32" x 8-1/2" Depth: 6"
- Standard 3-1/2" drain opening
- Undercoated and sound pads
- Mounting clips and cutting template

ACCESSORIES

- Stainless steel basket strainer not included (available)
- Stainless steel standard strainer not included (available)
- Grey silicone dish rack not included (available)

UNDERMOUNT SINK



KA - 2317

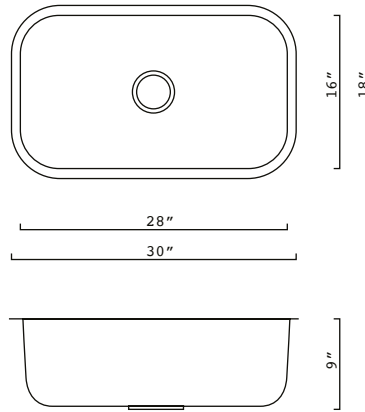
FEATURES

- Pressed sink
- Undermount
- 304 Stainless Steel
- 18 gauge
- Brushed Stainless Steel
- Size W 23-1/2" x H 17-3/4" x D 9"
- Standard 3-1/2" drain opening
- Undercoated and sound pads
- Mounting clips and cutting template

ACCESSORIES

- Bottom grid not included (available)
- Stainless steel basket strainer not included (available)
- Stainless steel standard strainer not included (available)
- Round stainless steel colander not included (available)
- Grey silicone dish rack not included (available)

UNDERMOUNT SINK



KA - 3018

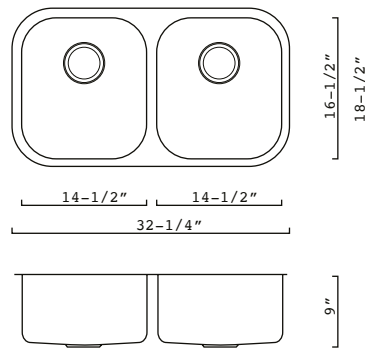
FEATURES

- Pressed sink
- Undermount
- 304 Stainless Steel
- 18 gauge
- Brushed Stainless Steel
- Size W 30" x H 18" x D 9"
- Standard 3-1/2" drain opening
- Undercoated and sound pads
- Mounting clips and cutting template

ACCESSORIES

- Bottom grid not included (available)
- Stainless steel basket strainer not included (available)
- Stainless steel standard strainer not included (available)
- Round stainless steel colander not included (available)
- Grey silicone dish rack not included (available)

UNDERMOUNT SINK



KA - 3118

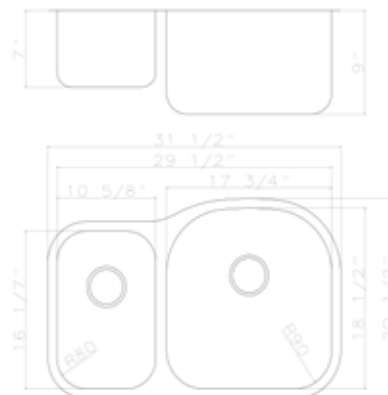
FEATURES

- Pressed sink
- Undermount
- 304 Stainless Steel
- 18 gauge
- Brushed Stainless Steel
- Size W 32-1/4" x H 18-1/2" x D 9"
- Standard 3-1/2" drain opening
- Undercoated and sound pads
- Mounting clips and cutting template

ACCESSORIES

- Bottom grid not included (available)
- Stainless steel basket strainer not included (available)
- Stainless steel standard strainer not included (available)
- Round stainless steel colander not included (available)
- Grey silicone dish rack not included (available)

UNDERMOUNT SINK



DAX - 3121R

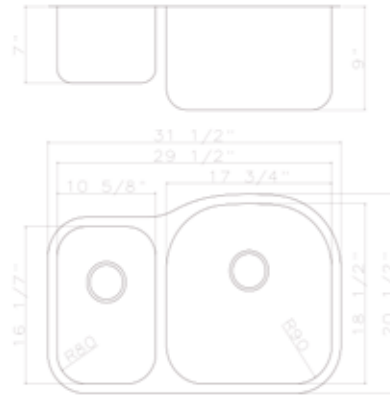
FEATURES

- Pressed sink
- Undermount
- 304 Stainless Steel
- 18 gauge
- Brushed Stainless Steel
- Size W 31-1/2" x H 20-1/2" x D 9"
- Standard 3-1/2" drain opening
- Undercoated and sound pads
- Mounting clips and cutting template

ACCESSORIES

- Bottom grid not included (available)
- Stainless steel basket strainer not included (available)
- Stainless steel standard strainer not included (available)
- Round stainless steel colander not included (available)
- Grey silicone dish rack not included (available)

UNDERMOUNT SINK



DAX - 3121L

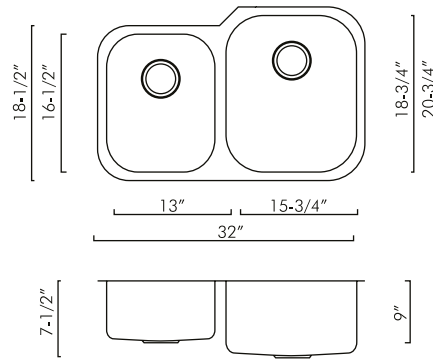
FEATURES

- Pressed sink
- Undermount
- 304 Stainless Steel
- 18 gauge
- Brushed Stainless Steel
- Size W 31-1/2" x H 20-1/2" x D 9"
- Standard 3-1/2" drain opening
- Undercoated and sound pads
- Mounting clips and cutting template

ACCESSORIES

- Bottom grid not included (available)
- Stainless steel basket strainer not included (available)
- Stainless steel standard strainer not included (available)
- Round stainless steel colander not included (available)
- Grey silicone dish rack not included (available)

UNDERMOUNT SINK



DAX - 3120R

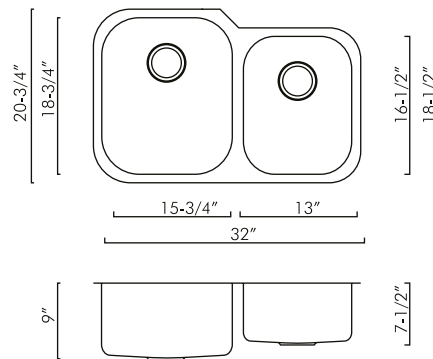
FEATURES

- Pressed sink
- Undermount
- 304 Stainless Steel
- 18 gauge
- Brushed Stainless Steel
- Size W 32" x H 20-3/4" x D 9"
- Standard 3-1/2" drain opening
- Undercoated and sound pads
- Mounting clips and cutting template

ACCESSORIES

- Bottom grid not included (available)
- Stainless steel basket strainer not included (available)
- Stainless steel standard strainer not included (available)
- Round stainless steel colander not included (available)
- Grey silicone dish rack not included (available)

UNDERMOUNT SINK



DAX - 3120L

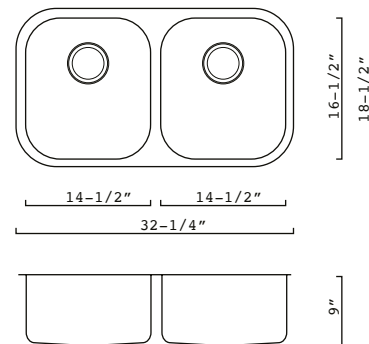
FEATURES

- Farm house sink
- Handmade sink
- Omm radius corner
- Undermount or overmount
- 304 Stainless Steel
- Apron: 16 gauge
- Bowl: 18 gauge
- Brushed Stainless Steel
- Size W 35-7/8" x H 20-3/4" x D 10"
- Standard 3-1/2" drain opening
- Undercoated and sound pads
- Mounting clips and cutting template

ACCESSORIES

- Bottom grid not included (available)
- Stainless steel basket strainer not included (available)
- Stainless steel standard strainer not included (available)
- Square stainless steel colander not included (available)
- Grey silicone dish rack not included (available)

UNDERMOUNT SINK



DAX - 3118

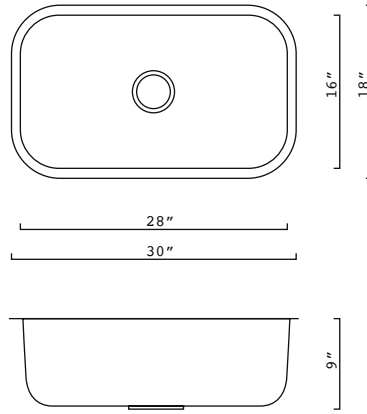
FEATURES

- Pressed sink
- Undermount
- 304 Stainless Steel
- 18 gauge
- Brushed Stainless Steel
- Size W 32-1/4" x H 18-1/2" x D 9"
- Standard 3-1/2" drain opening
- Undercoated and sound pads
- Mounting clips and cutting template

ACCESSORIES

- Bottom grid not included (available)
- Stainless steel basket strainer not included (available)
- Stainless steel standard strainer not included (available)
- Round stainless steel colander not included (available)
- Grey silicone dish rack not included (available)

UNDERMOUNT SINK



DAX - 3018

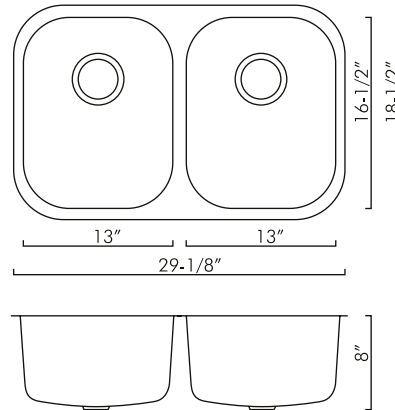
FEATURES

- Pressed sink
- Undermount
- 304 Stainless Steel
- 18 gauge
- Brushed Stainless Steel
- Size W 30" x H 18" x D 9"
- Standard 3-1/2" drain opening
- Undercoated and sound pads
- Mounting clips and cutting template

ACCESSORIES

- Bottom grid not included (available)
- Stainless steel basket strainer not included (available)
- Stainless steel standard strainer not included (available)
- Round stainless steel colander not included (available)
- Grey silicone dish rack not included (available)

UNDERMOUNT SINK



DAX - 2918

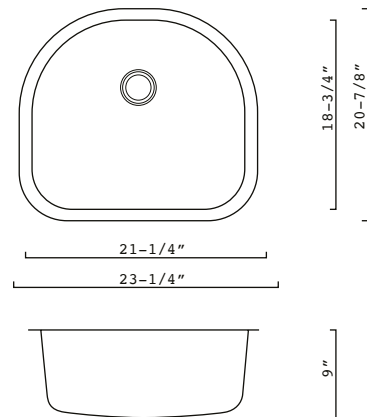
FEATURES

- Pressed sink
- Undermount
- 304 Stainless Steel
- 18 gauge
- Brushed Stainless Steel
- Size W 29-1/8" x H 18-1/2" x D 8"
- Standard 3-1/2" drain opening
- Undercoated and sound pads
- Mounting clips and cutting template

ACCESSORIES

- Bottom grid not included (available)
- Stainless steel basket strainer not included (available)
- Stainless steel standard strainer not included (available)
- Round stainless steel colander not included (available)
- Grey silicone dish rack not included (available)

UNDERMOUNT SINK



DAX - 2321

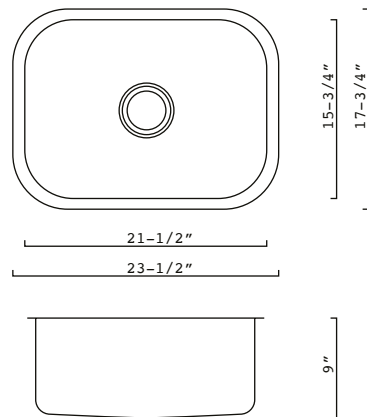
FEATURES

- Pressed sink
- Undermount
- 304 Stainless Steel
- 18 gauge
- Brushed Stainless Steel
- Size W 23-1/4" x H 20-7/8" x D 9"
- Standard 3-1/2" drain opening
- Undercoated and sound pads
- Mounting clips and cutting template

ACCESSORIES

- Bottom grid not included (available)
- Stainless steel basket strainer not included (available)
- Stainless steel standard strainer not included (available)
- Round stainless steel colander not included (available)
- Grey silicone dish rack not included (available)

UNDERMOUNT SINK



DAX - 2317

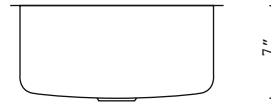
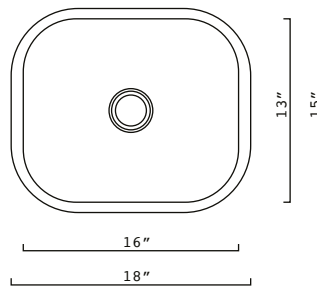
FEATURES

- Pressed sink
- Undermount
- 304 Stainless Steel
- 18 gauge
- Brushed Stainless Steel
- Size W 23-1/2" x H 17-3/4" x D 9"
- Standard 3-1/2" drain opening
- Undercoated and sound pads
- Mounting clips and cutting template

ACCESSORIES

- Bottom grid not included (available)
- Stainless steel basket strainer not included (available)
- Stainless steel standard strainer not included (available)
- Round stainless steel colander not included (available)
- Grey silicone dish rack not included (available)

UNDERMOUNT SINK

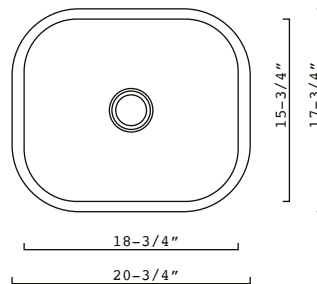
**DAX - 1815****FEATURES**

- Pressed sink
- Undermount
- 304 Stainless Steel
- 18 gauge
- Brushed Stainless Steel
- Size W 18" x H 15" x D 7"
- Standard 3-1/2" drain opening
- Undercoated and sound pads
- Mounting clips and cutting template

ACCESSORIES

- Bottom grid not included (available)
- Stainless steel basket strainer not included (available)
- Stainless steel standard strainer not included (available)
- Round stainless steel colander not included (available)
- Grey silicone dish rack not included (available)

UNDERMOUNT SINK

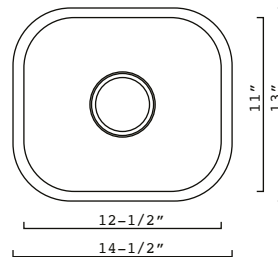
**DAX - 1720****FEATURES**

- Pressed sink
- Undermount
- 304 Stainless Steel
- 18 gauge
- Brushed Stainless Steel
- Size W 20-3/4" x H 17-3/4" x D 9"
- Standard 3-1/2" drain opening
- Undercoated and sound pads
- Mounting clips and cutting template

ACCESSORIES

- Bottom grid not included (available)
- Stainless steel basket strainer not included (available)
- Stainless steel standard strainer not included (available)
- Round stainless steel colander not included (available)
- Grey silicone dish rack not included (available)

UNDERMOUNT SINK

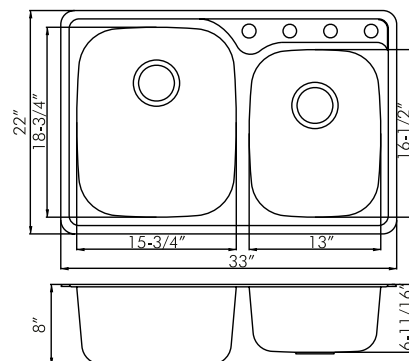
**DAX - 1214****FEATURES**

- Pressed sink
- Undermount
- 304 Stainless Steel
- 18 gauge
- Brushed Stainless Steel
- Size W 14-1/2" x H 13" x D 7"
- Standard 3-1/2" drain opening
- Undercoated and sound pads

ACCESSORIES

- Bottom grid not included (available)
- Stainless steel basket strainer not included (available)
- Stainless steel standard strainer not included (available)
- Round stainless steel colander not included (available)
- Grey silicone dish rack not included (available)

OVERMOUNT SINK

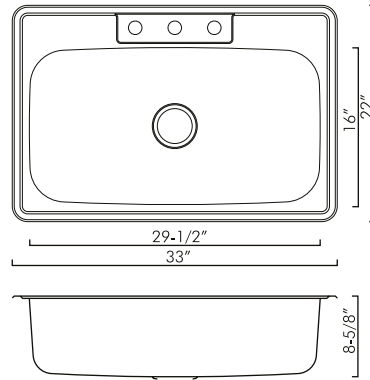
**DAX - OM-911****FEATURES**

- Pressed sink
- Overmount
- 304 Stainless Steel
- 20 gauge
- Brushed Stainless Steel
- Over all size: 33" x 22" Depth: 8"
- Standard 3-1/2" drain opening
- Undercoated and sound pads
- Mounting clips

ACCESSORIES

- Bottom grid not included (available)
- Stainless steel basket strainer not included (available)
- Stainless steel standard strainer not included (available)
- Dish rack not included (available)
- Grey silicone dish rack not included (available)

OVERMOUNT SINK



DAX - OM-3323

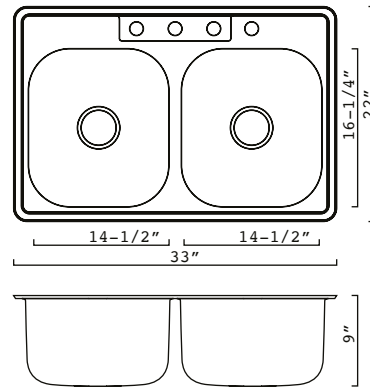
FEATURES

- Pressed sink
- Overmount
- 304 Stainless Steel
- 20 gauge
- Brushed Stainless Steel
- Over all size: 33" x 22" Depth: 8-5/8"
- Standard 3-1/2" drain opening
- Undercoated and sound pads
- Mounting clips

ACCESSORIES

- Bottom grid not included (available)
- Stainless steel basket strainer not included (available)
- Stainless steel standard strainer not included (available)
- Dish rack not included (available)
- Grey silicone dish rack not included (available)

OVERMOUNT SINK



DAX - OM-3322

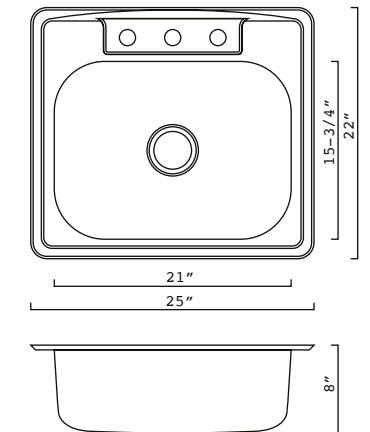
FEATURES

- Pressed sink
- Overmount
- 304 Stainless Steel
- 20 gauge
- Brushed Stainless Steel
- Over all size: 33" x 22" Depth: 9"
- Standard 3-1/2" drain opening
- Undercoated and sound pads
- Mounting clips

ACCESSORIES

- Bottom grid not included (available)
- Stainless steel basket strainer not included (available)
- Stainless steel standard strainer not included (available)
- Dish rack not included (available)
- Grey silicone dish rack not included (available)

OVERMOUNT SINK



DAX - OM-2522

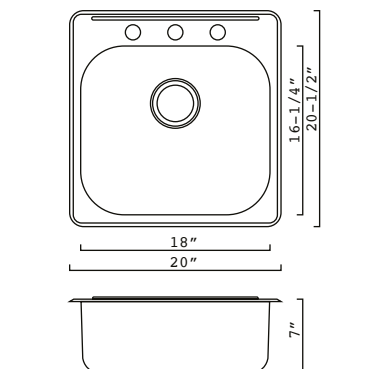
FEATURES

- Pressed sink
- Overmount
- 304 Stainless Steel
- 20 gauge
- Brushed Stainless Steel
- Over all size: 25" x 22" Depth: 8"
- Standard 3-1/2" drain opening
- Undercoated and sound pads
- Mounting clips

ACCESSORIES

- Bottom grid not included (available)
- Stainless steel basket strainer not included (available)
- Stainless steel standard strainer not included (available)
- Dish rack not included (available)
- Grey silicone dish rack not included (available)

OVERMOUNT SINK



DAX - OM-2020

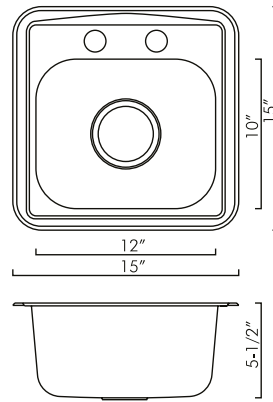
FEATURES

- Pressed sink
- Undermount
- 304 Stainless Steel
- 20 gauge
- Brushed Stainless Steel
- Size W 20" x H 20 1/2" Depth: 8"
- Standard 3-1/2" drain opening
- Undercoated and sound pads
- Mounting clips and cutting template

ACCESSORIES

- Bottom grid not included (available)
- Stainless steel basket strainer not included (available)
- Stainless steel standard strainer not included (available)
- Round stainless steel colander not included (available)
- Grey silicone dish rack not included (available)

OVERMOUNT SINK

**DAX - OM-1515****FEATURES**

- Pressed sink
- Undermount
- 304 Stainless Steel
- 23 gauge
- Brushed Stainless Steel
- Size W 15" x H 15" Depth: 5 1/2"
- Standard 3-1/2" drain opening
- Undercoated and sound pads
- Mounting clips and cutting template

ACCESSORIES

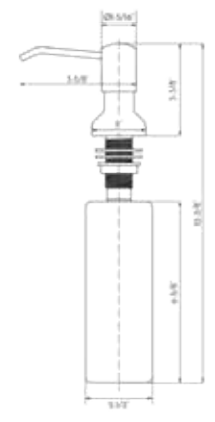
- Bottom grid not included (available)
- Stainless steel basket strainer not included (available)
- Stainless steel standard strainer not included (available)
- Round stainless steel colander not included (available)
- Grey silicone dish rack not included (available)

DAX - ST-02



KITCHEN
ACCESSORIES SERIES 03

SOAP DISPENSERS



DAX - 1002

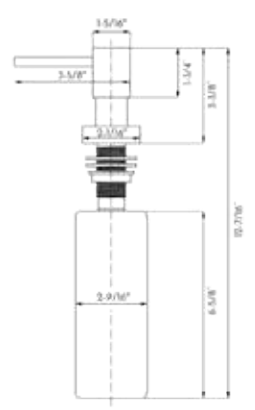
FEATURES

- Brass Head

FINISH

- DAX-1002-CR Chrome
- DAX-1002-BN Brushed nickel

SOAP DISPENSERS



DAX - 1001

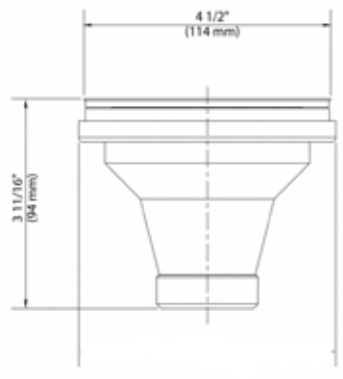
FEATURES

- Brass head

FINISH

- DAX-1001-CR Chrome
- DAX-1001-BN Brushed nickel

SINK STRAINERS



DR - 303A

FEATURES

- Stainless steel basket strainer
- Brushed stainless steel finish
- Size: W 4-1/2" x D 4"

SINK STRAINERS



DR - 902-NB

FEATURES

- Stainless Steel Basket Strainer
- Nano Black Finish
- Size: 4-1/2" x 4-13/16" x 3-13/16"

DISH RACKS



COLANDER

FEATURES

- Stainless Steel Body
- Overmount
- ABS corner grabs
- Dishwasher safe

COMPATIBLE

- DAX-SQ-3018
- DAX-SQ-2920A

DECK PLATES



DECK PLATE

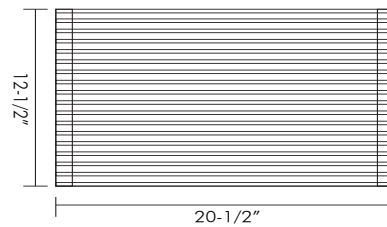
FEATURES

- Deck Plate
- Stainless Steel
- Size: W 9-15/16" x H 2-7/16" x D 5/16"

FINISH

- Chrome DP-2001
- Brushed Nickel DP-2000

DISH RACKS



DAX - DDR58125

- Roll-up dishrack
- Over the sink
- Multi-purpose
- Grey color
- Stainless Steel material
- Heat resistant
- Dishwasher safe
- Size: W 20-1/2" x H 12-1/2"

CUTTING BOARD



CUT - WSR10_W

- Wood material (Acacia)
- Size: 16-3/4" x 13" x 13/16"



GRIDS MODELS

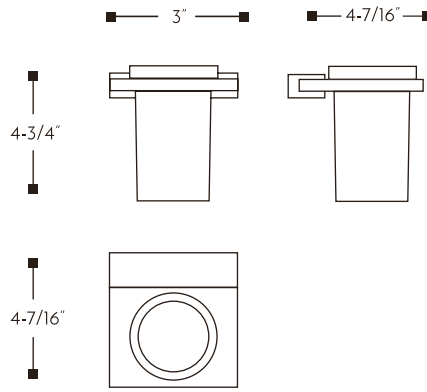
GR-KA2317
 GR-KA3018
 GR-KA3118
 GRID-1214
 GRID-1720
 GRID-1815
 GRID-2317
 GRID-2321
 GRID-2918
 GRID-3018
 GRID-3018B
 GRID-3018B-X
 GRID-3118
 GRID-3118B
 GRID-3118B-X
 GRID-3120B
 GRID-3120L-R
 GRID-3121L-R
 GRID-3218
 GRID-3219LR10-X
 GRID-3319
 GRID-334
 GRID-347
 GRID-415
 GRID-N2318
 GRID-N2318-R10-X
 GRID-N3018
 GRID-N3018-R10-X
 GRID-N3218
 GRID-N3218-R10-X
 GRID-OM1515
 GRID-OM2020
 GRID-OM2522
 GRID-OM3322
 GRID-OM3323
 GRID-OM911
 GRID-SQ1512
 GRID-SQ1918
 GRID-SQ1918-X
 GRID-SQ2318
 GRID-SQ2318-X
 GRID-SQ2818
 GRID-SQ2818-X
 GRID-SQ2918A-X
 GRID-SQ3018-X
 GRID-SQ3021
 GRID-SQ3118A
 GRID-SQ3118A-X
 GRID-SQ3120
 GRID-SQ3218-X
 GRID-SQ3320
 GRID-SQ3320F
 GRID-SQ3321
 GRID-SQ3420F
 GRID-SQ3621
 GRID-T2318
 GRID-T3018
 GRID-T3218
 GRID-T3318
 GRID-WS3019
 GRID-WS3321





BATHROOM
ACCESSORIES SERIES 04

VANITY CUPS



DAX - GDC060152

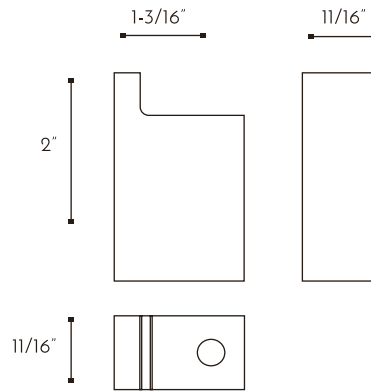
FEATURES

- Brass body
- Wall mount
- Glass shelf
- Frosted glass cup
- Mounting parts included

FINISH

- DAX-GDC060152-CR Chrome
- DAX-GDC060152-BN Brushed nickel

TOWEL HOLDERS



DAX - GDC060121

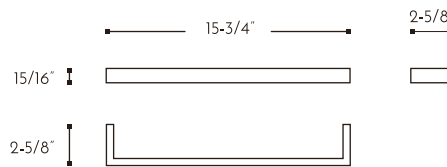
FEATURES

- Brass body
- Wall mount
- Mounting parts included

FINISH

- DAX-GDC060121-CR Chrome
- DAX-GDC060121-BN Brushed nickel

TOWEL BARS



DAX - GDC060166

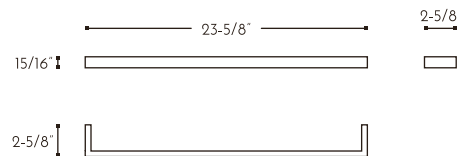
FEATURES

- Brass body
- Wall mount
- Mounting parts included

FINISH

- DAX-GDC060166-CR Chrome
- DAX-GDC060166-BN Brushed nickel

TOWEL BARS



DAX - GDC060167

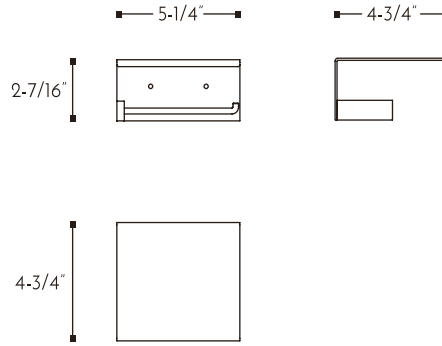
FEATURES

- Brass body
- Wall mount
- Mounting parts included

FINISH

- DAX-GDC060167-CR Chrome
- DAX-GDC060167-BN Brushed nickel

TOILET PAPER HOLDERS



DAX - GDC060159

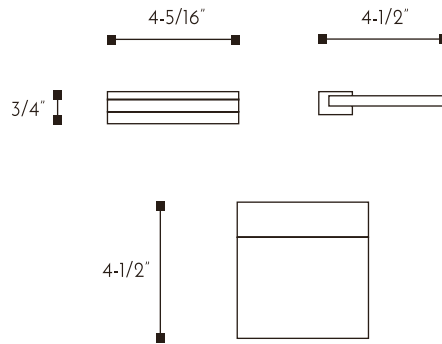
FEATURES

- Brass body
- Wall mount
- Mounting parts included

FINISH

- DAX-GDC060159-CR Chrome
- DAX-GDC060159-BN Brushed nickel

SOAP DISHES



DAX - GDC060132

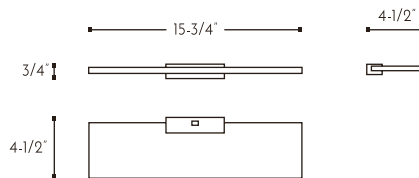
FEATURES

- Brass body
- Wall mount
- Glass shelf
- Mounting parts included

FINISH

- DAX-GDC060132-CR Chrome
- DAX-GDC060132-BN Brushed nickel

BATHROOM SHELVES



DAX - GDC060144

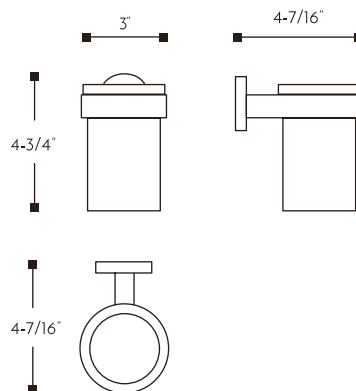
FEATURES

- Brass body
- Wall mount
- Glass shelf
- Mounting parts included

FINISH

- DAX-GDC060144-CR Chrome
- DAX-GDC060144-BN Brushed nickel

VANITY CUPS



DAX - GDC120152

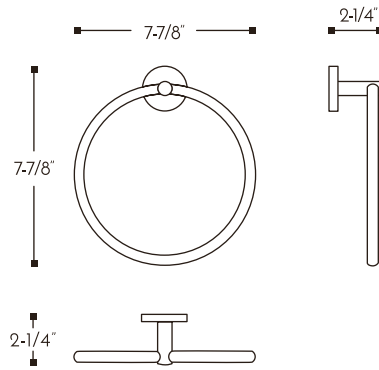
FEATURES

- Brass body
- Wall mount
- Frosted glass cup
- Mounting parts included

FINISH

- DAX-GDC120152-CR Chrome
- DAX-GDC120152-BN Brushed nickel

TOWEL RINGS



DAX - GDC120172

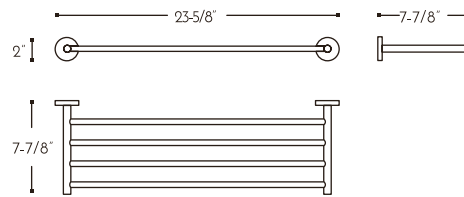
FEATURES

- Brass body
- Wall mount
- Mounting parts included

FINISH

- DAX-GDC120172-CR Chrome
- DAX-GDC120172-BN Brushed nickel

TOWEL RACKS



DAX - GDC120168

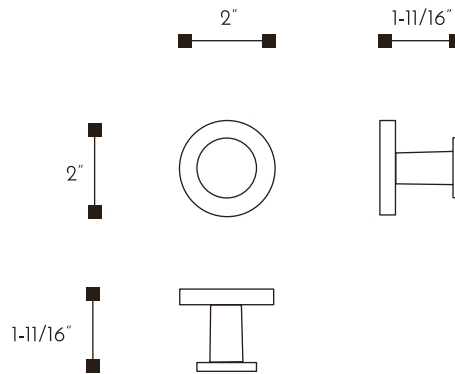
FEATURES

- Brass body
- Wall mount
- Mounting parts included

FINISH

- DAX-GDC120168-CR Chrome
- DAX-GDC120168-BN Brushed nickel

TOWEL HOLDERS



DAX - GDC120121

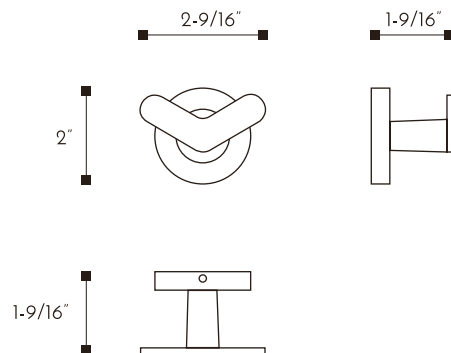
FEATURES

- Brass body
- Wall mount
- Mounting parts included

FINISH

- DAX-GDC120121-CR Chrome
- DAX-GDC120121-BN Brushed nickel

TOWEL HOLDERS



DAX - GDC120122

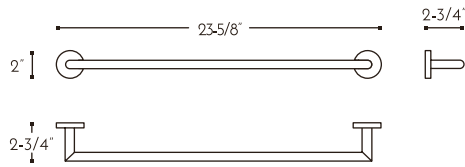
FEATURES

- Brass body
- Wall mount
- Mounting parts included

FINISH

- DAX-GDC120122-CR Chrome
- DAX-GDC120122-BN Brushed nickel

TOWEL BARS



DAX - GDC120165

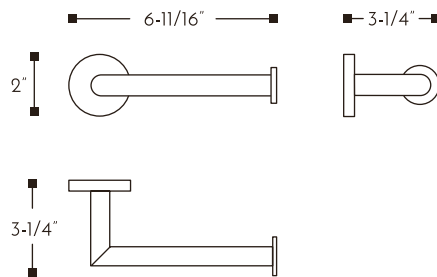
FEATURES

- Brass body
- Wall mount
- Mounting parts included

FINISH

- DAX-GDC120165-CR Chrome
- DAX-GDC120165-BN Brushed nickel

TOILET PAPER HOLDER



DAX - GDC120156

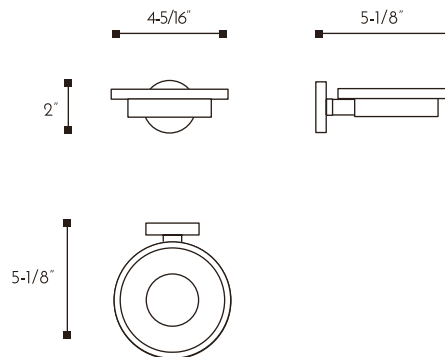
FEATURES

- Brass body
- Wall mount
- Mounting parts included

FINISH

- DAX-GDC120156-CR Chrome
- DAX-GDC120156-BN Brushed nickel

SOAP DISHES



DAX - GDC120132

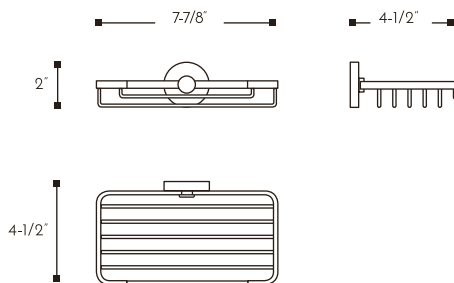
FEATURES

- Brass body
- Wall mount
- Frosted glass tray
- Mounting parts included

FINISH

- DAX-GDC120132-CR Chrome
- DAX-GDC120132-BN Brushed nickel

BATHROOM SHELVES



DAX - GDC120130

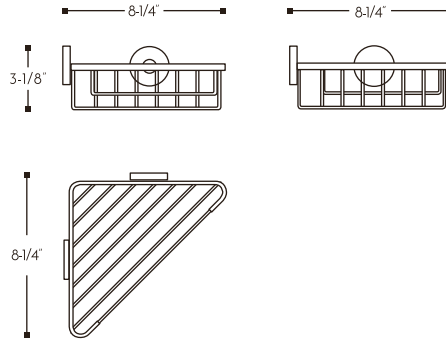
FEATURES

- Brass body
- Wall mount
- Mounting parts included

FINISH

- DAX-GDC120130-CR Chrome
- DAX-GDC120130-BN Brushed nickel

SOAP DISHES



DAX - GDC120150

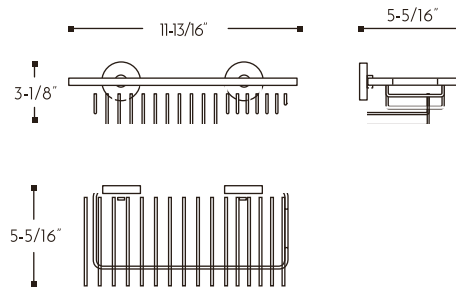
FEATURES

- Brass body
- Corner wall mount
- Mounting parts included

FINISH

- DAX-GDC120150-CR Chrome
- DAX-GDC120150-BN Brushed nickel

SOAP DISHES



DAX - GDC120187

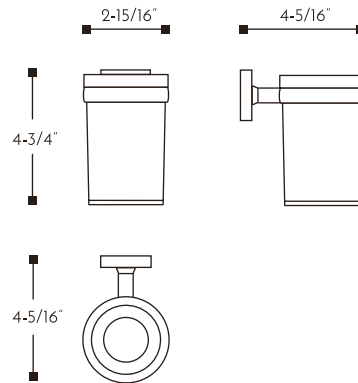
FEATURES

- Brass body
- Wall mount
- Mounting parts included

FINISH

- DAX-GDC120187-CR Chrome
- DAX-GDC120187-BN Brushed nickel

VANITY CUPS



DAX - GDC160152

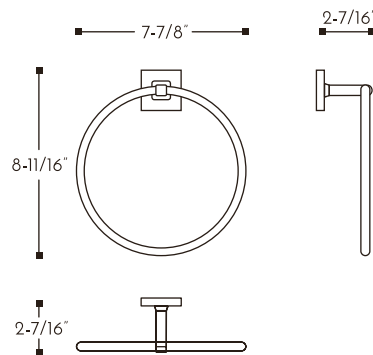
FEATURES

- Brass body
- Wall mount
- Frosted glass cup
- Mounting parts included

FINISH

- DAX-GDC160152-CR Chrome
- DAX-GDC160152-BN Brushed nickel

TOWEL RINGS



DAX - GDC160172

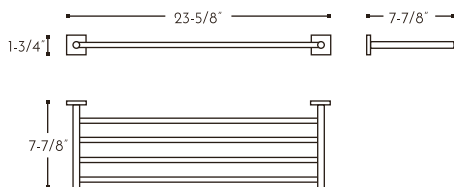
FEATURES

- Brass body
- Wall mount
- Mounting parts included

FINISH

- DAX-GDC160172-CR Chrome
- DAX-GDC160172-BN Brushed nickel

TOWEL RACKS



DAX - GDC160168

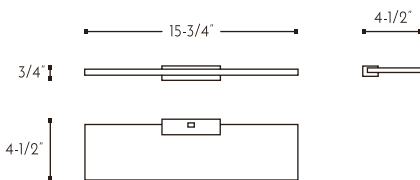
FEATURES

- Brass body
- Wall mount
- Mounting parts included

FINISH

- DAX-GDC160168-CR Chrome
- DAX-GDC160168-BN Brushed nickel

BATHROOM SHELVES



DAX - GDC060144

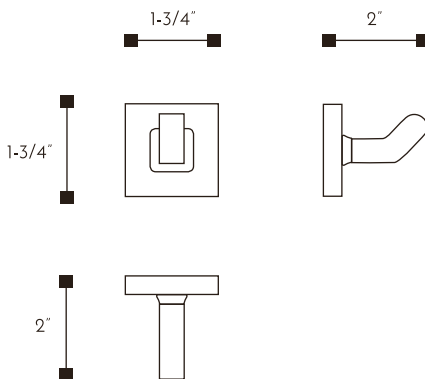
FEATURES

- Brass body
- Wall mount
- Glass shelf
- Mounting parts included

FINISH

- DAX-GDC060144-CR Chrome
- DAX-GDC060144-BN Brushed nickel

TOWEL HOLDERS



DAX - GDC160121

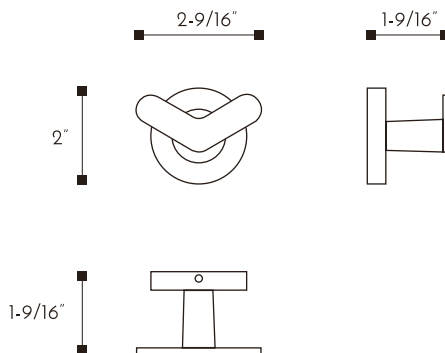
FEATURES

- Brass body
- Wall mount
- Mounting parts included

FINISH

- DAX-GDC160121-CR Chrome
- DAX-GDC160121-BN Brushed nickel

TOWEL HOLDERS



DAX - GDC160122

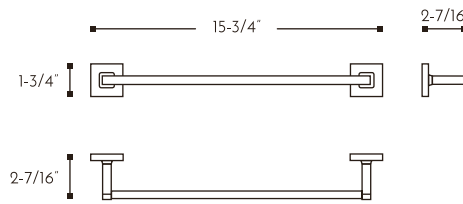
FEATURES

- Brass body
- Wall mount
- Mounting parts included

FINISH

- DAX-GDC120122-CR Chrome
- DAX-GDC120122-BN Brushed nickel

TOWEL HOLDERS



DAX - GDC160164

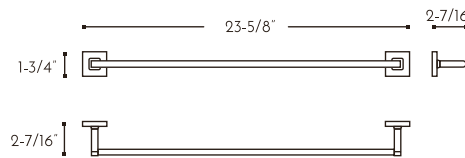
FEATURES

- Brass body
- Wall mount
- Mounting parts included

FINISH

- DAX-GDC160164-CR Chrome
- DAX-GDC160164-BN Brushed nickel

TOWEL BARS



DAX - GDC160165

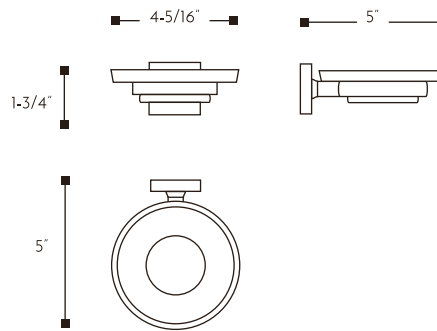
FEATURES

- Brass body
- Wall mount
- Mounting parts included

FINISH

- DAX-GDC160165-CR Chrome
- DAX-GDC160165-BN Brushed nickel

SOAP DISHES



DAX - GDC160132

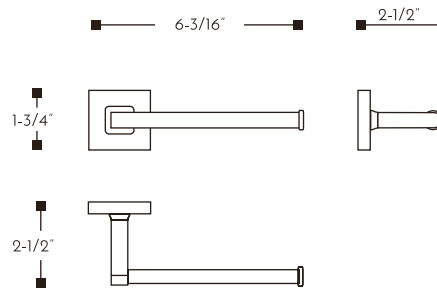
FEATURES

- Brass body
- Wall mount
- Frosted glass tray
- Mounting parts included

FINISH

- DAX-GDC160132-CR Chrome
- DAX-GDC160132-BN Brushed nickel

TOWEL BARS



DAX - GDC160156

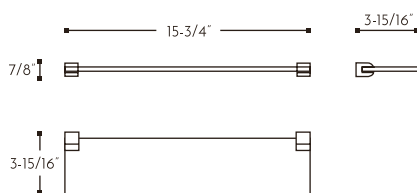
FEATURES

- Brass body
- Wall mount
- Mounting parts included

FINISH

- DAX-GDC160156-CR Chrome
- DAX-GDC160156-BN Brushed nickel

BATHROOM SHELVES



DAX - GDC160144

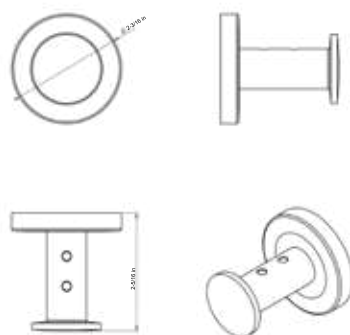
FEATURES

- Brass body
- Wall mount
- Glass shelf
- Mounting parts included

FINISH

- DAX-GDC160144-CR Chrome
- DAX-GDC160144-BN Brushed nickel

TOWEL HOLDERS



2353621

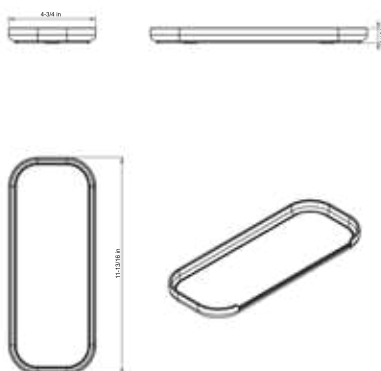
FEATURES

- Brass body
- Hook soft
- Mounting parts included

FINISH

- Matte Black

TRAY



2353433

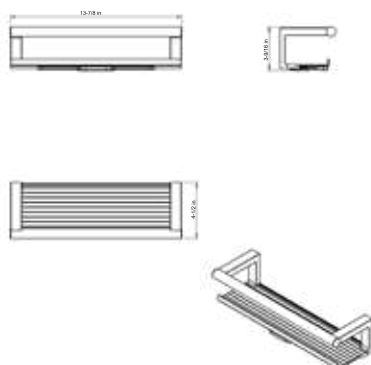
FEATURES

- PVC material
- Hook soft
- Mounting parts included

FINISH

- Matte Black

SOAP DISHES



2353648

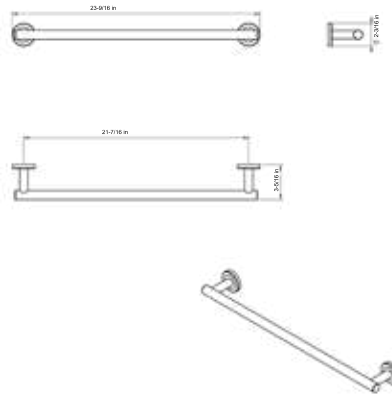
FEATURES

- Brass body
- Hook soft
- Mounting parts included

FINISH

- Matte Black

TOWEL BAR



2353665

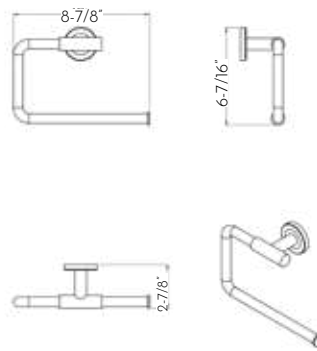
FEATURES

- Brass body
- Hook soft
- Mounting parts included

FINISH

- Matte Black

TOILET PAPER HOLDER



2353671

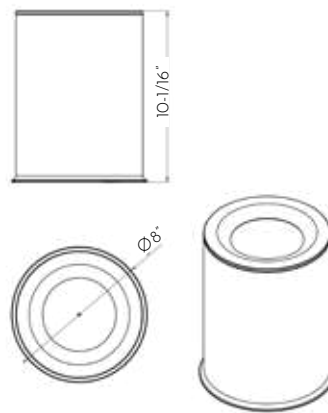
FEATURES

- Brass body
- Hook soft
- Mounting parts included

FINISH

- Matte Black

BATHROOM BINS



2773602

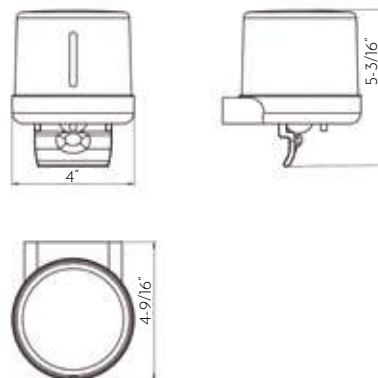
FEATURES

- Brass body
- Hook soft
- Mounting parts included

FINISH

- Matte Black

SOAP DISPENSER



2353603

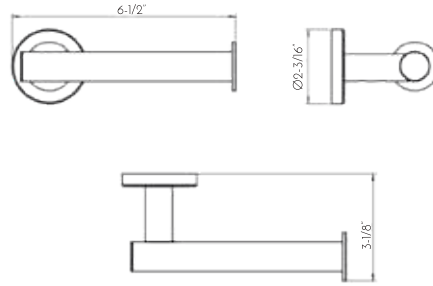
FEATURES

- Brass body
- Hook soft
- Mounting parts included

FINISH

- Matte Black

TOILET PAPER HOLDER



DAX - 2353658

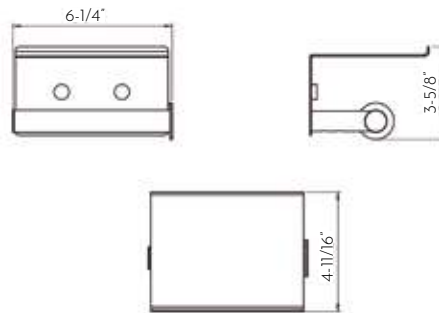
FEATURES

- Brass body
- Hook soft
- Mounting parts included

FINISH

- Matte Black

TOILET PAPER HOLDER



DAX - 2353659

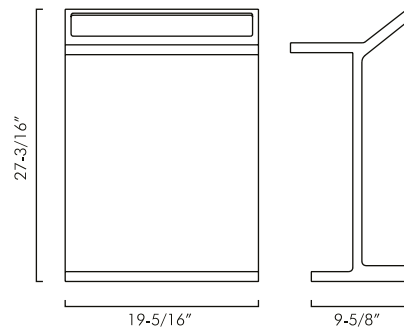
FEATURES

- Brass body
- Hook soft
- Mounting parts included

FINISH

- Matte Black

TOWEL STANDS

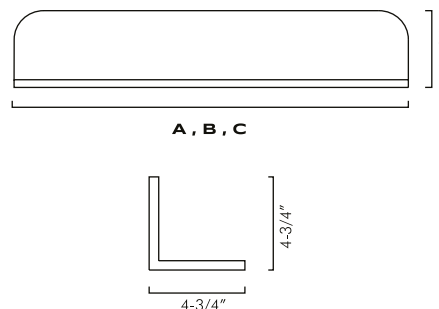


DAX - AB-7461

FEATURES

- Solid surface material
- Hypoallergenic
- Matte white finish

BATHROOM SHELVES



DAX - AB-1560

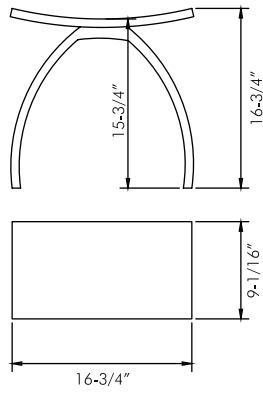
FEATURES

- Solid surface material
- Wall mount
- Hypoallergenic
- Mounting parts included
- Matte white finish

SIZES

- A. DAX-AB-1560-24 23-5/8" X 4-3/4"
- B. DAX-AB-1560-35 35-7/16" X 4-3/4"
- C. DAX-AB-1560-47 47-1/4" X 4-3/4"

SHOWER STOOLS

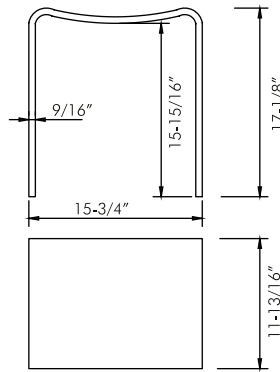


DAX - ST-01

FEATURES

- Solid surface material
- Hypoallergenic
- Matte white finish

SHOWER STOOLS

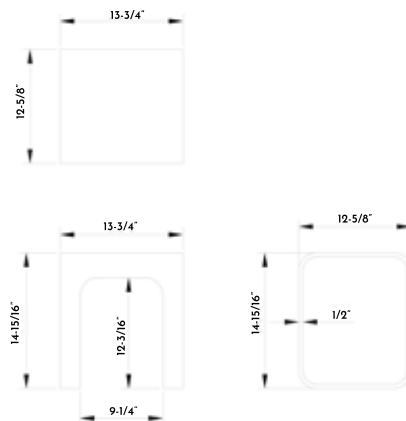


DAX - ST-02

FEATVURES

- Solid surface material
- Hypoallergenic
- Matte white finish

SHOWER STOOLS



DAX - ST-03

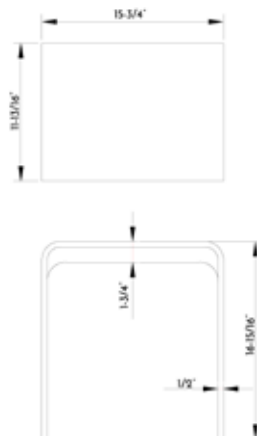
FEATURES

- Solid Surface Material
- Matte White Finish
- 330 pounds seating weight capacity

FINISH

- DAX - ST-03 Matte White Finish
- DAX - ST-03-G Matte Gray Finish

SHOWER STOOLS



DAX - ST-04

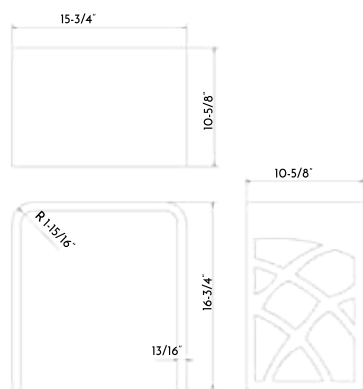
FEATURES

- Solid Surface Material
- Hypoallergenic

FINISH

- DAX - ST-04 Matte White Finish
- DAX - ST-04-G Matte Gray Finish

SHOWER STOOLS



DAX - ST-05

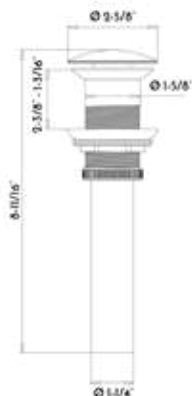
FEATURES

- Solid Surface Material

FINISH

- DAX - ST-05 Matte White Finish
- DAX - ST-05-G Matte Gray Finish

POP UP DRAINS

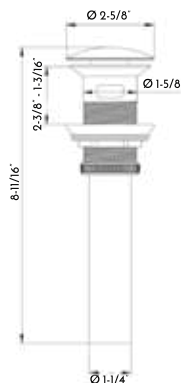


DAX - 802018-BG

FEATURES

- Brass body
- Brushed gold finish
- Without overflow

POP UP DRAINS

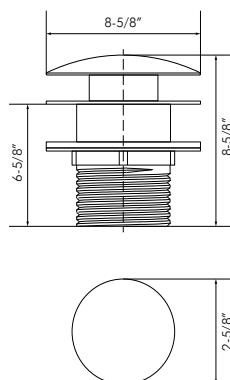


DAX - 802019-BG

FEATURES

- Brass body
- Brushed gold finish
- Without overflow

POP UP DRAIN BIDET



DAX - T912-1

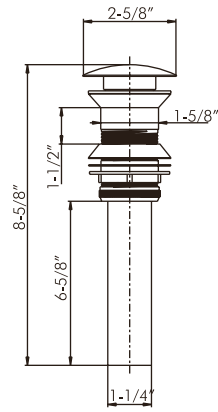
FEATURES

- Brass body
- Mounting parts included
- Without overflow

FINISH

- DAX-82005-CR Chrome
- DAX-82005-BN Brushed nickel

POP UP DRAINS

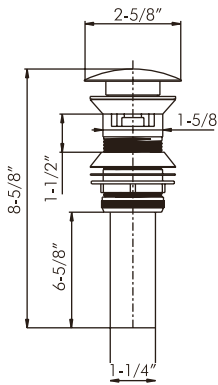


DAX - 82005

FEATURES

- Brass body
- Chrome finish
- Pop up included

POP UP DRAINS



DAX - 82006

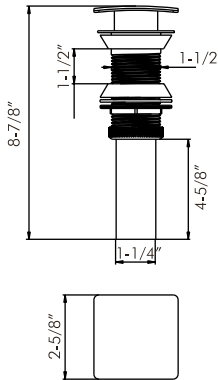
FEATURES

- Brass body
- Mounting parts included
- With overflow

FINISH

- DAX-82006-CR Chrome
- DAX-82006-BN Brushed nickel

POP UP DRAINS

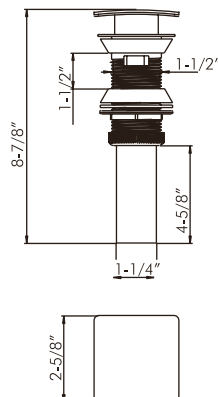


DAX - 82010-BN

FEATURES

- Brass body
- Mounting parts included
- Without overflow
- Brushed nickel finish

POP UP DRAINS

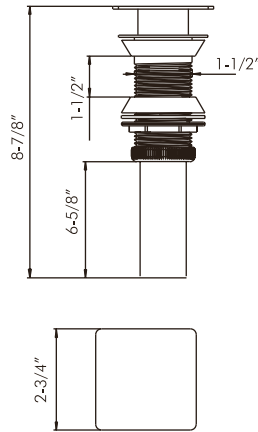


DAX - 82011-BN

FEATURES

- Brass body
- Mounting parts included
- With overflow
- Brushed nickel finish

POP UP DRAINS



DAX - 82012

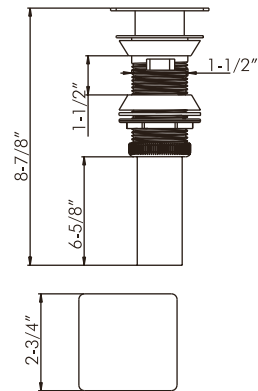
FEATURES

- Brass body
- Mounting parts included
- Without overflow

FINISH

- DAX-82012-CR Chrome
- DAX-82012-BN Brushed nickel

POP UP DRAINS



DAX - 82013

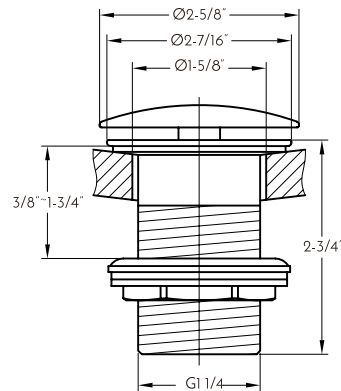
FEATURES

- Brass body
- Mounting parts included
- With overflow

FINISH

- DAX-82013-CR Chrome
- DAX-82013-BN Brushed nickel

POP UP DRAINS

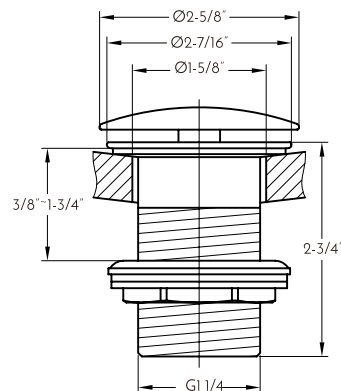


DAX - 82016-ORB

FEATURES

- Brass body
- Mounting parts included
- Without overflow
- ORB finish

POP UP DRAINS



DAX - 82017

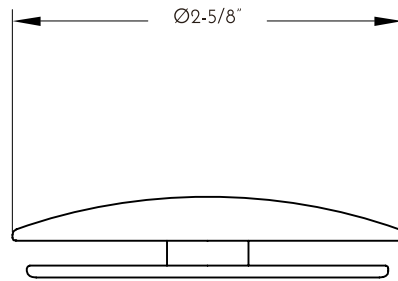
FEATURES

- Brass body
- Mounting parts included
- Without overflow
- Black finish

FINISH

- DAX-82017-BL Black finish
- DAX-82017-ORB Oil rubbed bronze finish

POP UP DRAINS



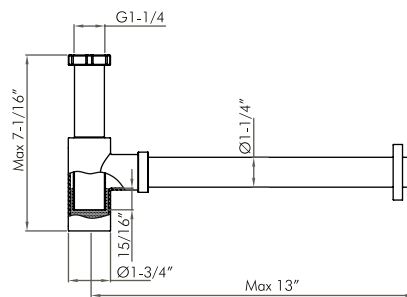
DAX - AB-82010

FEATURES

- Solid surface material
- Pop-up cover only
- Matte white finish

* To be used with any other round pop-up drain

SINK TRAPS



DAX - O10-O1

FEATURES

- 304 stainless steel body

FINISH

- DAX - O10-O1-CR Chrome
- DAX - O10-O1-BN Brushed nickel
- DAX - O10-O1-GL Gold
- DAX - O10-O1-BL Matte black

DAX - ST-02

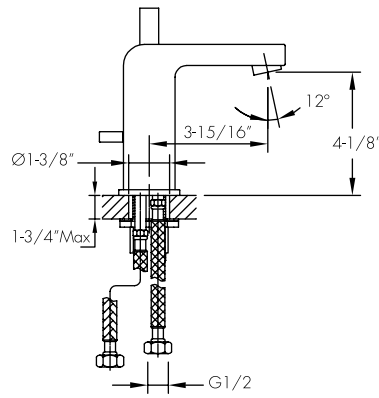






05 BATHROOM
FAUCETS SERIES

VANITY FAUCETS

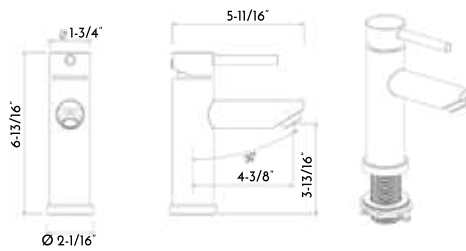


DAX - 8227

FEATURES

- Single Lever
- Ceramic cartridge
- Brass body
- Flow rate 1.5 GPM
- Installation hole 1-3/8"
- Chrome finish
- Hoses and mounting parts included
- Pop up drain not included (available)

VANITY FAUCETS



DAX - 6911

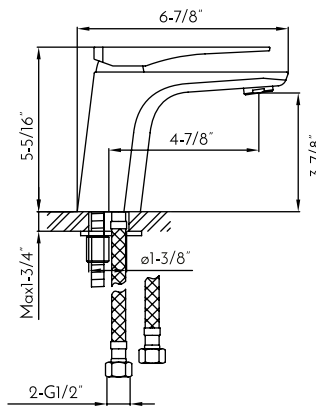
FEATURES

- Single Lever
- Ceramic cartridge
- Brass body
- Flow rate 2.2 GPM at 60 PSI
- UPC Approved
- Hoses and mounting parts included

FEATURES

- DAX - 6911-BG Brushed gold
- DAX - 6911-BL Matt black
- DAX - 6911-BN Brushed nickel
- DAX - 6911-CR Chrome

VANITY FAUCETS

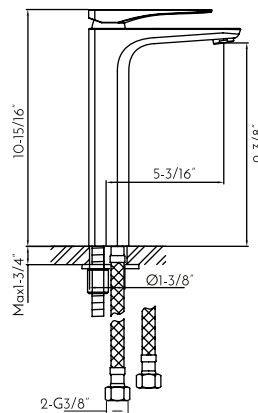


DAX - 805A-CW

FEATURES

- Single lever
- Ceramic cartridge
- Brass body
- Flow rate 1.16 GPM
- Installation hole 1-3/8"
- Chrome-white finish
- Hoses and mounting parts included
- Pop up drain not included (available)

VANITY FAUCETS

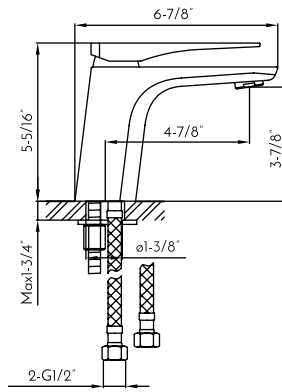


DAX - 805L-CW

FEATURES

- Single lever
- Vessel installation
- Ceramic cartridge
- Brass body
- Flow rate 1.16 GPM
- Installation hole 1-3/8"
- Chrome-white finish
- Hoses and mounting parts included
- Pop up drain not included (available)

VANITY FAUCETS



DAX - 805A

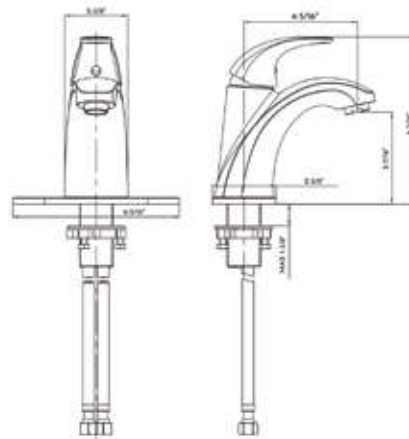
FEATURES

- Single lever
- Ceramic cartridge
- Brass body
- Flow rate 1.16 GPM
- Installation hole 1-3/8"
- Hoses and mounting parts included
- Pop up drain not included (available)

FINISH

- DAX-805A-CR Chrome
- DAX-805A-BN Brushed nickel

VANITY FAUCETS



DAX - 8104

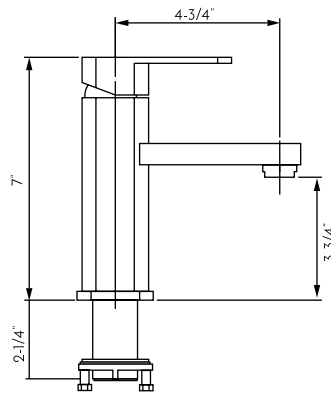
FEATURES

- Single Lever
- Ceramic cartridge
- Lead free
- Flow rate 1.5 GPM
- Installation hole 1-3/8"
- Hoses and mounting parts included
- Pop up drain not included (available)
- Brushed Nickel Finish
- cUPC - NSF61-9 - ABI953 Approved

FINISH

- DAX-8104-CR Chrome
- DAX-8104-BN Brushed nickel

VANITY FAUCETS



DAX - 6941A

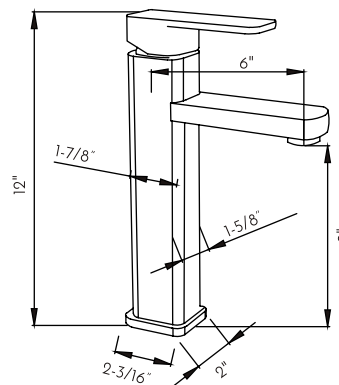
FEATURES

- Single lever
- Ceramic cartridge
- Brass Body
- Flow rate 2.2 GPM
- Installation hole 1-3/8"
- Hoses and mounting parts included
- Pop up drain not included (available)

FINISH

- DAX-6941A-CR Chrome
- DAX-6941A-BN Brushed nickel
- DAX-6941A-BL Matte black

VANITY FAUCETS



DAX - 6941B

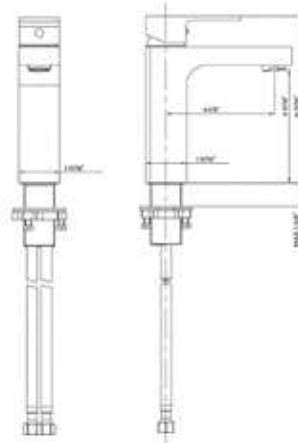
FEATURES

- Single lever
- Vessel installation
- Ceramic cartridge
- Brass body
- Flow rate 2.2 GPM
- Installation hole 1-3/8"
- Hoses and mounting parts included
- Pop up drain not included (available)

FINISH

- DAX-6941B-CR Chrome
- DAX-6941B-BN Brushed nickel
- DAX-6941B-BL Matte black

VANITY FAUCETS



DAX - 8142

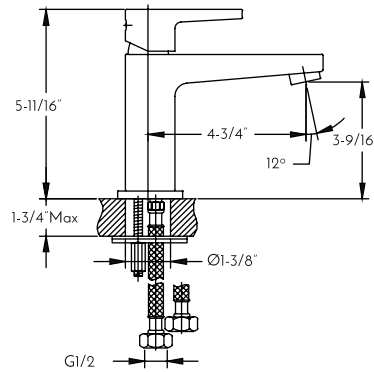
FEATURES

- Single Lever
- Ceramic cartridge
- Lead free
- Flow rate 1.5 GPM
- Installation hole 1-3/8"
- Hoses and mounting parts included
- Pop up drain not included (available)
- Brushed Nickel Finish
- cUPC - NSF61-9 - AB1953 Approved

FINISH

- DAX-8142-CR Chrome
- DAX-8142-BN Brushed nickel

VANITY FAUCETS

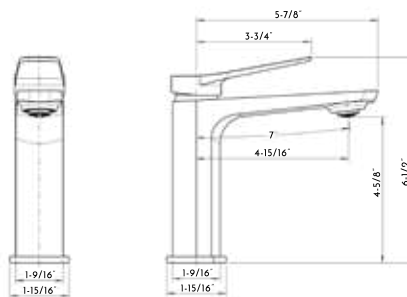


DAX - 8209

FEATURES

- Single lever
- Ceramic cartridge
- Brass body
- Flow rate 1.2 GPM
- Installation hole 1-3/8"
- Chrome finish
- Hoses and mounting parts included
- Pop up drain not included (available)

VANITY FAUCETS



DAX - 6518

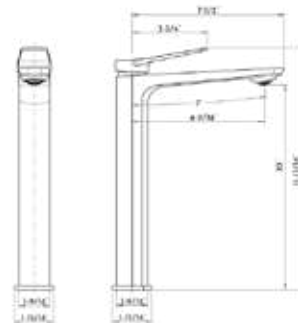
FEATURES

- Single lever
- Ceramic cartridge
- Installation hole 1-3/8"
- Brass body

FINISH

- DAX-6518-BL Matt black
- DAX-6518-CR Chrome

VANITY FAUCETS



DAX - 65128

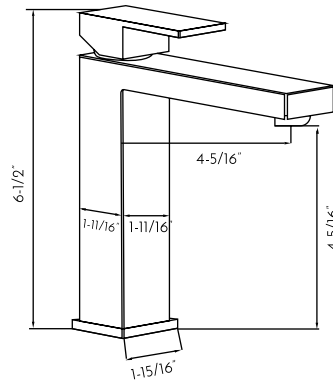
FEATURES

- Single Lever
- Ceramic cartridge
- Brass body
- Flow rate 1.38GPM
- Installation hole 1-3/8"

FINISH

- DAX-65128-CR Chrome
- DAX-65128-BN Brushed nickel

VANITY FAUCETS

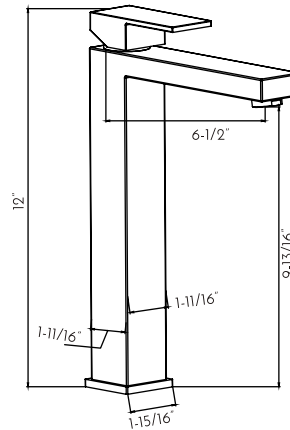
**DAX - 6951A****FEATURES**

- Single lever
- Ceramic cartridge
- Brass body
- Flow rate 2.2 GPM
- Installation hole 1-3/8"
- Hoses and mounting parts included
- Pop up drain not included (available)

FINISH

- DAX-6951A-CR Chrome
- DAX-6951A-BN Brushed nickel

VANITY FAUCETS

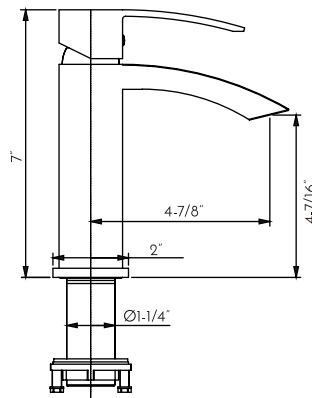
**DAX - 6951B****FEATURES**

- Single lever
- Vessel installation
- Ceramic cartridge
- Brass body
- Flow rate 2.2 GPM
- Installation hole 1-3/8"
- Hoses and mounting parts included
- Pop up drain not included (available)

FINISH

- DAX-6951B-CR Chrome
- DAX-6951B-BN Brushed nickel

VANITY FAUCETS

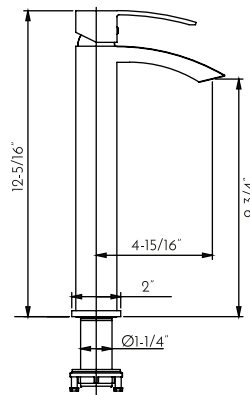
**DAX - 6690A****FEATURES**

- Single lever
- Ceramic cartridge
- Brass body
- Flow rate 2.2 GPM
- Installation hole 1-3/8"
- Hoses and mounting parts included
- Pop up drain not included (available)

FINISH

- DAX-6690A-CR Chrome
- DAX-6690A-BN Brushed nickel

VANITY FAUCETS

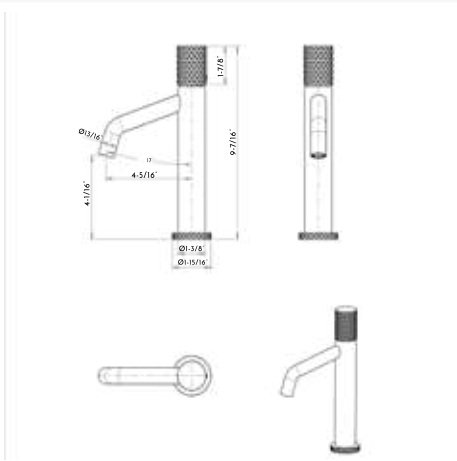
**DAX - 6690B****FEATURES**

- Single lever
- Vessel installation
- Ceramic cartridge
- Brass body
- Flow rate 2.2 GPM
- Installation hole 1-3/8"
- Hoses and mounting parts included
- Pop up drain not included (available)

FINISH

- DAX-6941B-CR Chrome
- DAX-6941B-BN Brushed nickel

VANITY FAUCETS



DAX - 65130

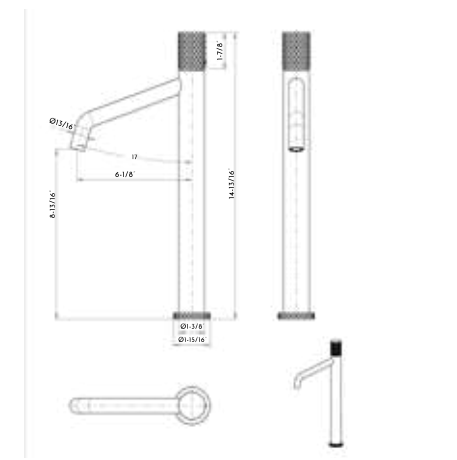
FEATURES

- Single Lever
- Ceramic cartridge
- Brass body
- Flow rate 1.34 GPM
- Installation hole 1-3/8"

FINISH

- DAX-65130-CR Chrome
- DAX-65130-BL Matt Black

VANITY FAUCETS



DAX - 65147

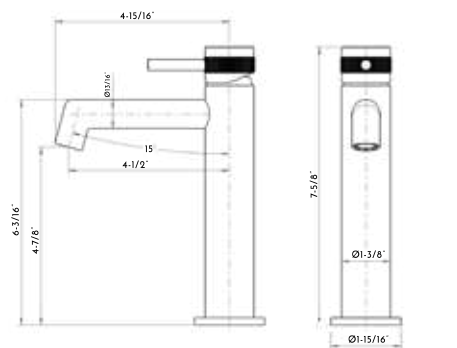
FEATURES

- Single Lever
- Ceramic cartridge
- Brass body
- Flow rate 1.34 GPM
- Installation hole 1-3/8"

FINISH

- DAX-65147-CR Chrome
- DAX-65147-BL Matt Black

VANITY FAUCETS



DAX - 8010040

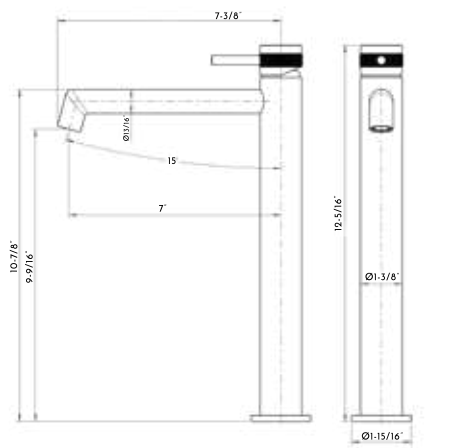
FEATURES

- Single Lever
- Ceramic cartridge
- Brass body
- Flow rate 1.33 GPM
- Installation hole 1-3/8"

FINISH

- DAX-8010040-CR Chrome
- DAX-8010040-BL Matt Black

VANITY FAUCETS



DAX - 8010041

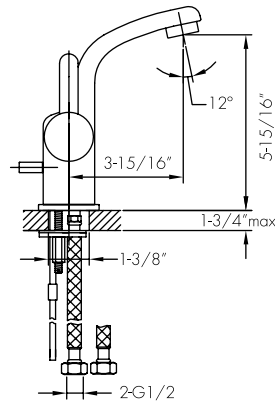
FEATURES

- Single Lever
- Ceramic cartridge
- Brass body
- Flow rate 1.26 GPM
- Installation hole 1-3/8"

FINISH

- DAX-8010041-CR Chrome
- DAX-8010041-BL Matt Black

VANITY FAUCETS



DAX - 8260

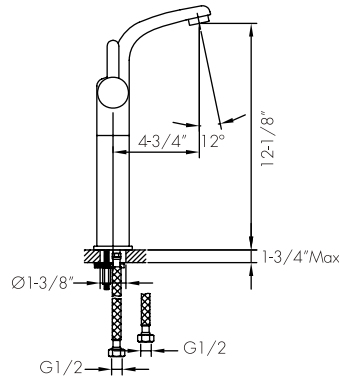
FEATURES

- Single Lever
- Ceramic cartridge
- Brass body
- Flow rate 1.2 GPM
- Installation hole 1-3/8"
- Hoses and mounting parts included
- Pop up drain not included (available)

FINISH

- DAX-8260-CR Chrome
- DAX-8260-BN Brushed nickel

VANITY FAUCETS



DAX - 8220B

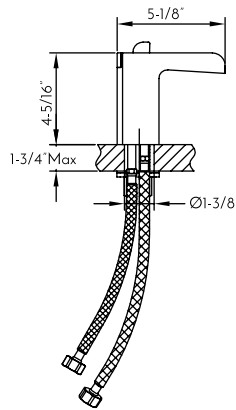
FEATURES

- Single Lever
- Vessel installation
- Ceramic cartridge
- Brass body
- Flow rate 1.2 GPM
- Installation hole 1-3/8"
- Hoses and mounting parts included
- Pop up drain not included (available)

FINISH

- DAX-8220B-CR Chrome
- DAX-8220B-BN Brushed nickel

VANITY FAUCETS

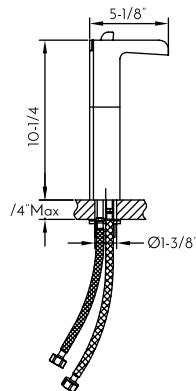


DAX - 9825

FEATURES

- Single Lever
- Ceramic cartridge
- Brass body
- Flow rate 1.2 GPM
- Installation hole 1-3/8"
- Chrome finish
- Hoses and mounting parts included
- Pop up drain included

VANITY FAUCETS

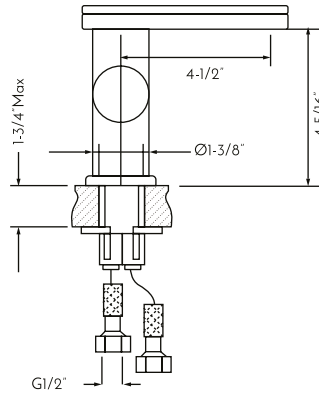


DAX - 9825B

FEATURES

- Single Lever
- Vessel installation
- Ceramic cartridge
- Brass body
- Flow rate 1.2 GPM
- Installation hole 1-3/8"
- Chrome finish
- Hoses and mounting parts included
- Pop up drain included

VANITY FAUCETS

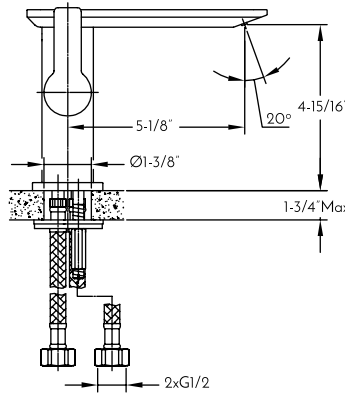


DAX - 9888

FEATURES

- Single Lever
- Ceramic cartridge
- Brass body
- Flow rate 1.2 GPM
- Installation hole 1-3/8"
- Chrome finish
- Hoses and mounting parts included
- Pop up drain not included (available)

VANITY FAUCETS



DAX - 8205

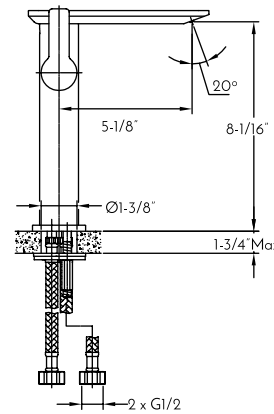
FEATURES

- Single Lever
- Ceramic cartridge
- Brass body
- Installation hole 1-3/8"
- Hoses and mounting parts included
- Pop up drain not included (available)

FINISH

- DAX-8205-CR Chrome
- DAX-8205-BN Brushed nickel

VANITY FAUCETS



DAX - 8205A

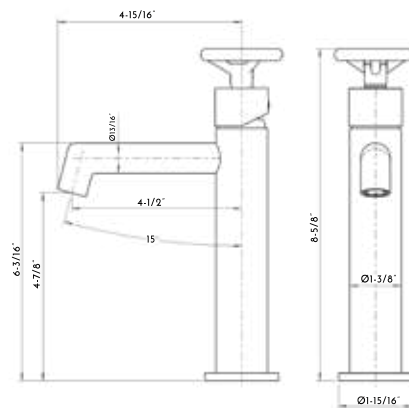
FEATURES

- Single Lever
- Vessel installation
- Ceramic cartridge
- Brass body
- Installation hole 1-3/8"
- Hoses and mounting parts included
- Pop up drain not included (available)

FINISH

- DAX-8205A-CR Chrome
- DAX-8205A-BN Brushed nickel

VANITY FAUCETS



DAX - 8010043

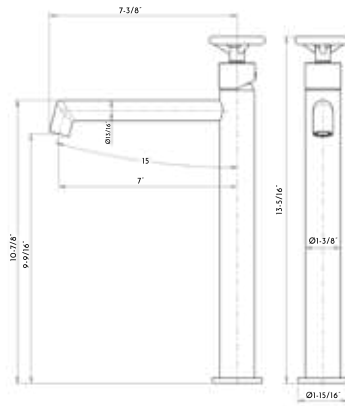
FEATURES

- Single Lever
- Ceramic cartridge
- Brass body
- Flow rate 1.33 GPM
- Installation hole 1-3/8"

FINISH

- DAX-8010043-CR Chrome
- DAX-8010043-BL Matte black

VANITY FAUCETS



DAX - 8010044

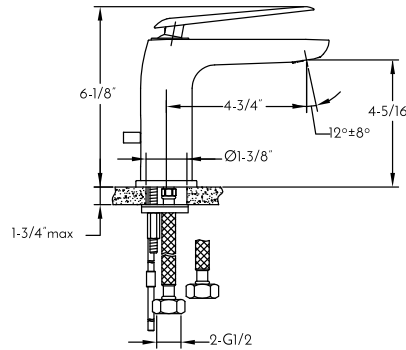
FEATURES

- Single Lever
- Ceramic cartridge
- Brass body
- Flow rate 1.26 GPM
- Installation hole 1-3/8"
- Matte Black Finish

FINISH

- DAX-8510B-CR Chrome
- DAX-8510B-BN Brushed nickel

VANITY FAUCETS

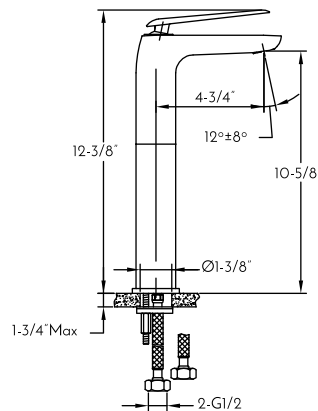


DAX - 8206

FEATURES

- Single lever
- Ceramic cartridge
- Brass body
- Flow rate 1.2 GPM
- Installation hole 1-3/8"
- Chrome finish
- Hoses and mounting parts included
- Pop up drain not included (available)

VANITY FAUCETS

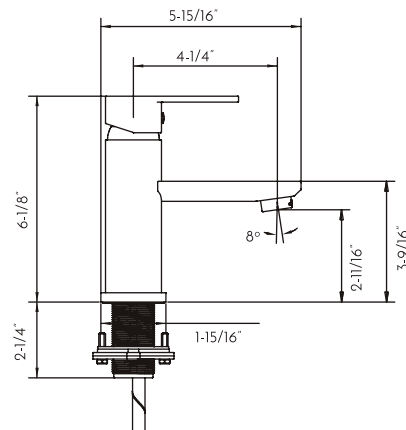


DAX - 8206B

FEATURES

- Single lever
- Vessel installation
- Ceramic cartridge
- Brass body
- Flow rate 1.2 GPM
- Installation hole 1-3/8"
- Chrome finish
- Hoses and mounting parts included
- Pop up drain not included (available)

VANITY FAUCETS



DAX - 8510

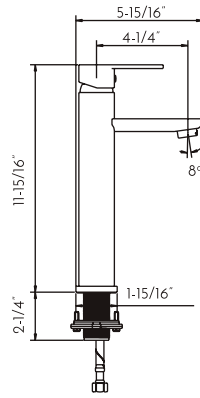
FEATURES

- Single lever
- Ceramic cartridge
- Brass body
- Flow rate 2 GPM
- Installation hole 1-3/8"
- Hoses and mounting parts included
- Pop up drain not included (available)

FINISH

- DAX-8510-CR Chrome
- DAX-8510-BN Brushed nickel

VANITY FAUCETS

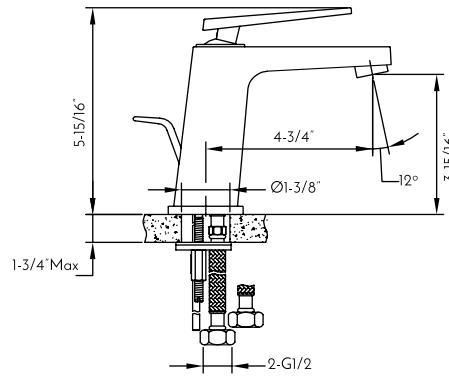


DAX - 8510B-BN

FEATURES

- Single lever
- Vessel installation
- Ceramic cartridge
- Brushed nickel finish
- Brass body
- Flow rate 2 GPM
- Installation hole 1-3/8"
- Hoses and mounting parts included
- Pop up drain not included (available)

VANITY FAUCETS

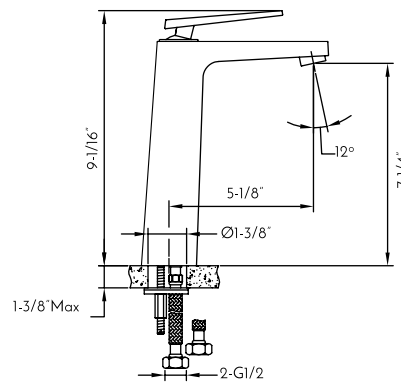


DAX - 9802

FEATURES

- Single Lever
- Ceramic cartridge
- Brass body
- Flow rate 1.2 GPM
- Installation hole 1-3/8"
- Chrome finish
- Hoses and mounting parts included
- Pop up drain not included (available)

VANITY FAUCETS

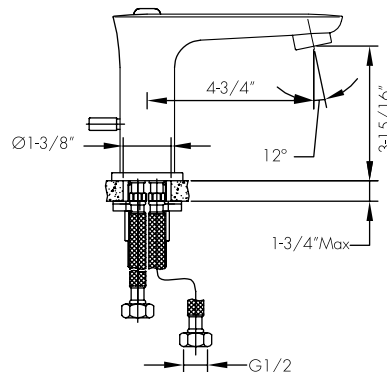


DAX - 9802A

FEATURES

- Single Lever
- Vessel installation
- Ceramic cartridge
- Brass body
- Flow rate 1.2 GPM
- Installation hole 1-3/8"
- Chrome finish
- Hoses and mounting parts included
- Pop up drain not included (available)

VANITY FAUCETS

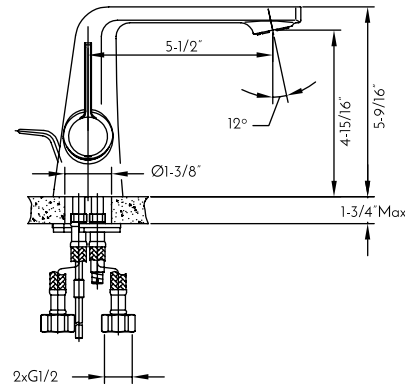


DAX - 9883

FEATURES

- Single Lever
- Vessel installation
- Ceramic cartridge
- Brass body
- Flow rate 1.2 GPM
- Installation hole 1-3/8"
- Chrome finish
- Hoses and mounting parts included
- Pop up drain not included (available)

VANITY FAUCETS



DAX - 8226

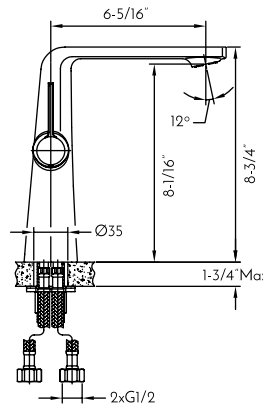
FEATURES

- Single Lever
- Ceramic cartridge
- Brass body
- Installation hole 1-3/8"
- Hoses and mounting parts included
- Pop up drain not included (available)

FINISH

- DAX-8226-CR Chrome
- DAX-8226-BN Brushed nickel

VANITY FAUCETS



DAX - 8226A

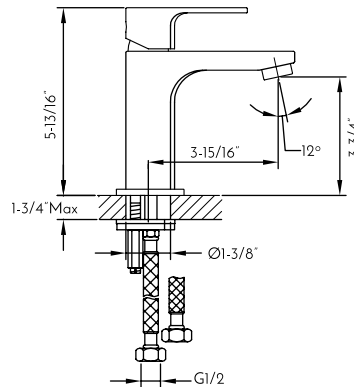
FEATURES

- Single Lever
- Vessel installation
- Ceramic cartridge
- Brass body
- Installation hole 1-3/8"
- Hoses and mounting parts included
- Pop up drain not included (available)

FINISH

- DAX-8226A-CR Chrome
- DAX-8226A-BN Brushed nickel

VANITY FAUCETS

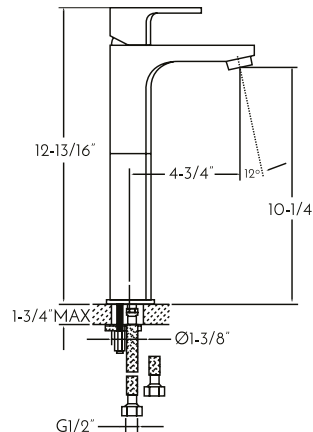


DAX - 9829

FEATURES

- Single Lever
- Ceramic cartridge
- Brass body
- Flow rate 1.2 GPM
- Installation hole 1-3/8"
- Chrome finish
- Hoses and mounting parts included
- Pop up drain not included (available)

VANITY FAUCETS

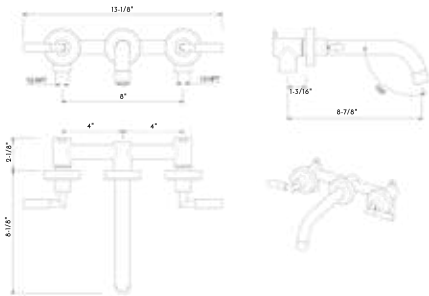


DAX - 9889B

FEATURES

- Single Lever
- Vessel installation
- Ceramic cartridge
- Brass body
- Flow rate 1.2 GPM
- Installation hole 1-3/8"
- Chrome finish
- Hoses and mounting parts included
- Pop up drain not included (available)

WALL MOUNT FAUCET



DAX - 8802

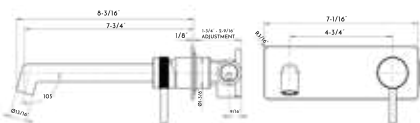
FEATURES

- Double Handle
- Ceramic cartridge
- Brass body
- Flow rate 2.2 GPM at 60 PSI
- Hoses and mounting parts included

FINISH

- DAX-8802-BG Brushed gold
- DAX-8802-BL Matt black
- DAX-8802-BN Brushed nickel
- DAX-8802-CR Chrome

WALL MOUNT FAUCET



DAX - 8030043

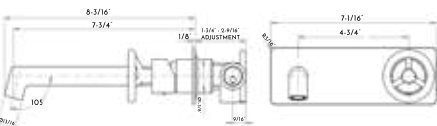
FEATURES

- Single Lever
- Brass Body
- Ceramic Cartridge
- Wall Mount

FINISH

- DAX-8030043-CR Chrome
- DAX-8030043-BL Matt black

WALL MOUNT FAUCET



DAX - 8030044

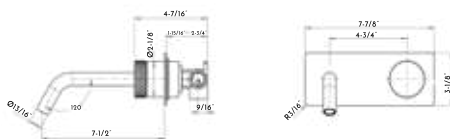
FEATURES

- Single Lever
- Brass Body
- Ceramic Cartridge
- Wall Mount

FINISH

- DAX-8030044-CR Chrome
- DAX-8030044-BL Matt black

WALL MOUNT FAUCET



DAX - 65149

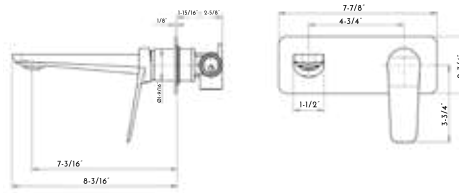
FEATURES

- Single Lever
- Ceramic cartridge
- Brass body
- Flow rate 1.38 GPM
- Installation hole 1-3/8

FINISH

- DAX-65149-CR Chrome
- DAX-65149-BL Matt black

WALL MOUNT



DAX - 65127

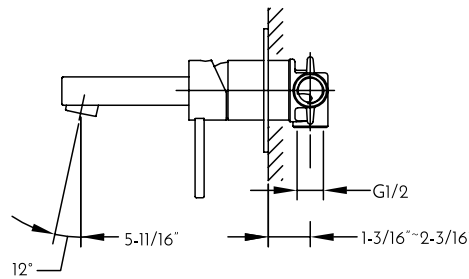
FEATURES

- Single Lever
- Ceramic cartridge
- Brass body
- Flow rate 1.4 GPM
- Installation hole 1-3/8"

FINISH

- DAX-65127-BL Matt black
- DAX-65127-CR Chrome

WALL MOUNT

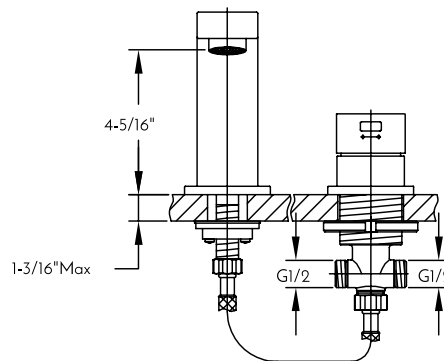


DAX - 8287

FEATURES

- Single Lever
- Wall mount
- Ceramic cartridge
- Brass body
- Chrome finish
- Hoses and mounting parts included
- Pop up drain not included (available)

VANITY FAUCETS

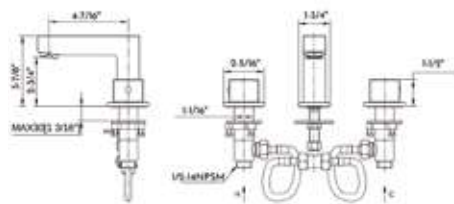


DAX - 8127

FEATURES

- Single Lever
- Ceramic cartridge
- Brass body
- Flow rate 1.2 GPM
- Installation hole 1-3/8"
- Chrome finish
- Hoses and mounting parts included
- Pop up drain not included (available)

VANITY FAUCETS



DAX - 8325

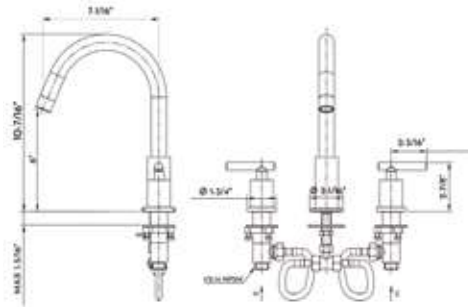
FEATURES

- Dual Handle
- Ceramic cartridge
- Flow rate 1.5 GPM
- Installation hole 1-3/8"
- Hoses and mounting parts included
- Pop up drain not included (available)
- cUPC - NSF61-9 - ABI953 Approved

FINISH

- DAX-8325-BN Brushed nickel
- DAX-8312-CR Chrome

VANITY FAUCETS



DAX - 8312

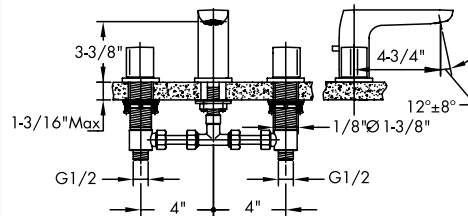
FEATURES

- Dual Handle
- Ceramic cartridge
- Flow rate 1.5 GPM
- Installation hole 1-3/8"
- Hoses and mounting parts included
- Pop up drain not included (available)
- cUPC - NSF61-9 - AB1953 Approved

FINISH

- DAX-8312-BL Matt black
- DAX-8312-BN Brushed nickel
- DAX-8312-CR Chrome

VANITY FAUCETS

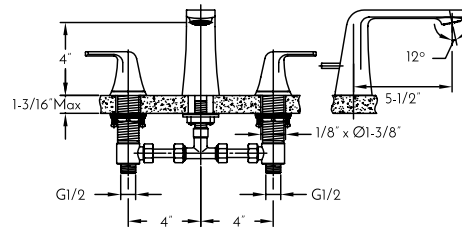


DAX - 8216C

FEATURES

- Two Handles
- Ceramic cartridge
- Brass body
- Flow rate 1.2 GPM
- Installation hole 1-3/8"
- Chrome finish
- Hoses and mounting parts included
- Pop up drain not included (available)

VANITY FAUCETS

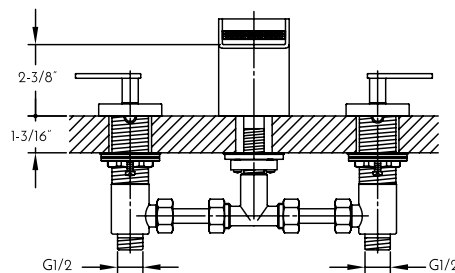


DAX - 8236C

FEATURES

- Single Lever
- Vessel installation
- Ceramic cartridge
- Brass body
- Flow rate 1.2 GPM
- Installation hole 1-3/8"
- Chrome finish
- Hoses and mounting parts included
- Pop up drain not included (available)

VANITY FAUCETS

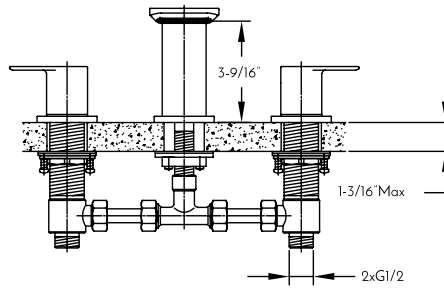


DAX - 8255C

FEATURES

- Two Handles
- Ceramic cartridge
- Brass body
- Flow rate 1.2 GPM
- Installation hole 1-3/8"
- Chrome finish
- Hoses and mounting parts included
- Pop up drain not included (available)

VANITY FAUCETS



DAX - 8275C

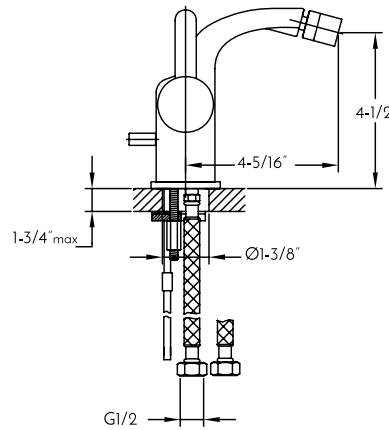
FEATURES

- Two Handles
- Ceramic cartridge
- Brass body
- Flow rate 1 GPM
- Installation hole 1-3/8"
- Hoses and mounting parts included
- Pop up drain not included (available)

FINISH

- DAX-8275C-CR Chrome
- DAX-8275C-BN Brushed nickel

BIDET FAUCETS

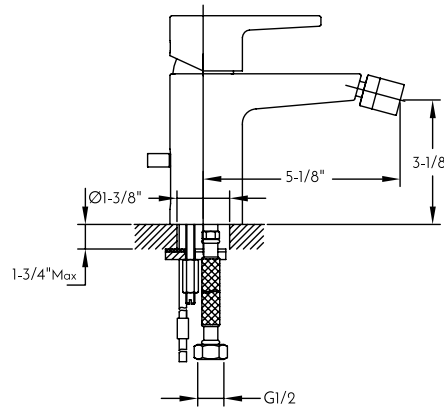


DAX - 8560-BL

FEATURES

- Single Lever
- Swiveling spout
- Ceramic cartridge
- Brass body
- Installation hole 1-3/8"
- Matte black finish
- Hoses and mounting parts included
- Pop up drain not included (available)

BIDET FAUCETS

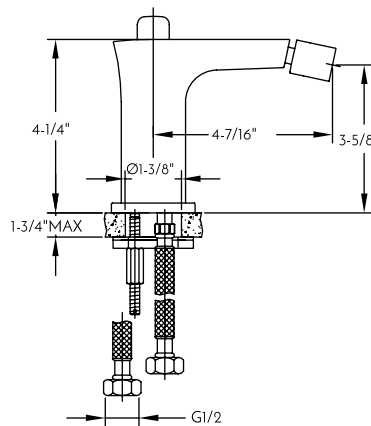


DAX - 8569-CR

FEATURES

- Single Lever
- Swiveling spout
- Ceramic cartridge
- Brass body
- Flow rate 1.2 GPM
- Installation hole 1-3/8"
- Chrome finish
- Hoses and mounting parts included
- Pop up drain not included (available)

BIDET FAUCETS

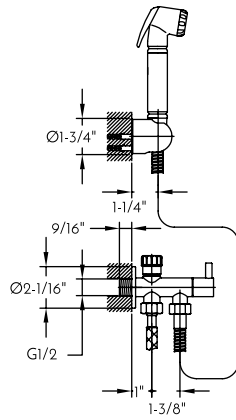


DAX - 8583-CR

FEATURES

- Single Lever
- Swiveling spout
- Ceramic cartridge
- Brass body
- Flow rate 1.2 GPM
- Installation hole 1-3/8"
- Chrome finish
- Hoses and mounting parts included
- Pop up drain not included (available)

HAND SHOWER



DAX - 9317C

FEATURES

- Single Lever
- Wall mount
- Ceramic cartridge
- Brass body
- Installation hole 1-3/8"
- Chrome finish
- ABS Shower holder
- Hoses and mounting parts included
- Pop up drain not included (available)

FINISH

- DAX-9317C-CR Chrome
- DAX-9317C-BN Brushed nickel

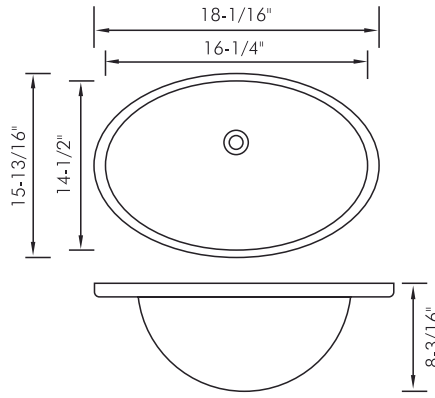
DAX - 805A-CW





06 BATHROOM
SINKS SERIES

CERAMIC UNDERMOUNT SINK

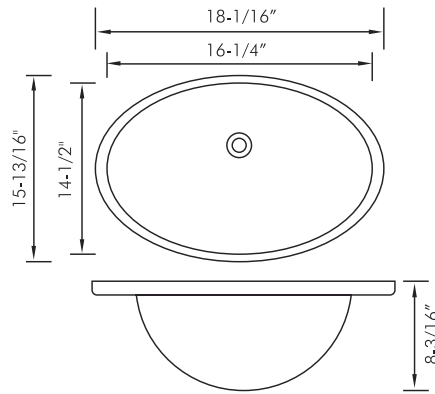


BSN - 100

FEATURES

- Ceramic material
- White gloss finish
- Overflow
- Overflow chrome ring included
- Pop up drain not included (available)
- Undermount installation
- Size W 18-1/16" x H 15-13/16" x D 8-3/16"

CERAMIC UNDERMOUNT SINK

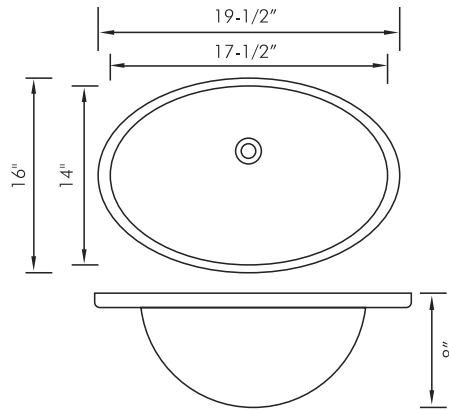


BSN - 101

FEATURES

- Ceramic material
- Ivory gloss finish
- Overflow
- Overflow chrome ring included
- Pop up drain not included (available)
- Undermount installation
- Size W 18-1/16" x H 15-13/16" x D 8-3/16"

CERAMIC UNDERMOUNT SINK

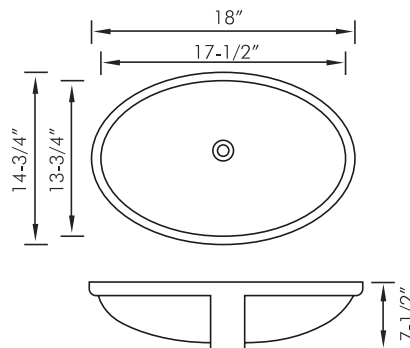


BSN - 200

FEATURES

- Ceramic material
- White gloss finish
- Overflow
- Overflow chrome ring included
- Pop up drain not included (available)
- Undermount installation
- Size W 19-1/2" x H 16" x D 8"

CERAMIC UNDERMOUNT SINK

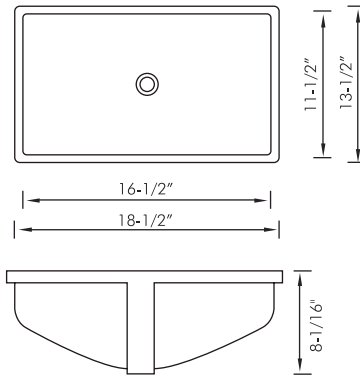


BSN - 205B-W

FEATURES

- Ceramic material
- White gloss finish
- Overflow
- Overflow chrome ring included
- Pop up drain not included (available)
- Undermount installation
- Size W 18" x H 14-3/4" x D 7-1/2"

CERAMIC UNDERMOUNT SINK



BSN - 202C

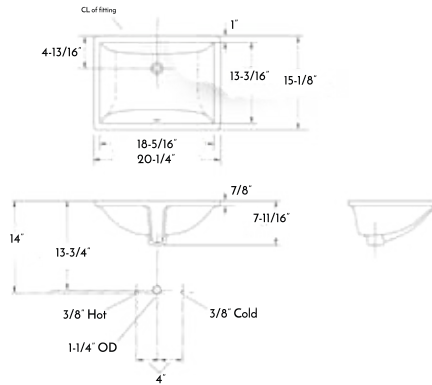
FEATURES

- Ceramic material
- Overflow
- Overflow chrome ring included
- Pop up drain not included (available)
- Undermount installation
- Size W 18-1/2" x H 13-1/2" x D 8-1/16"

FEATURES

- BSN-202C-I Ivory
- BSN-202C- White

CERAMIC UNDERMOUNT SINK

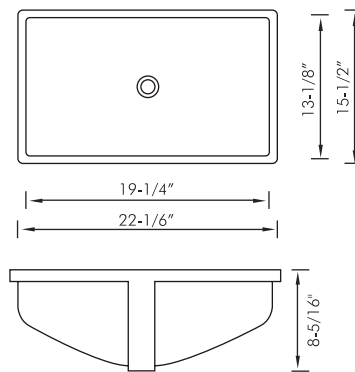


BSN - 202M-W

FEATURES

- Ceramic material
- White gloss finish
- Overflow
- Overflow chrome ring included
- Pop up drain not included (available)
- Undermount installation
- UPC approved

CERAMIC UNDERMOUNT SINK

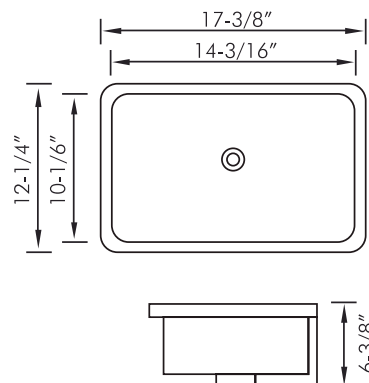


BSN - 202G-W

FEATURES

- Ceramic material
- White gloss finish
- Overflow
- Overflow chrome ring included
- Pop up drain not included (available)
- Undermount installation
- Size W 22-1/6" x H 15-1/2" x D 8-5/16"

CERAMIC UNDERMOUNT SINK

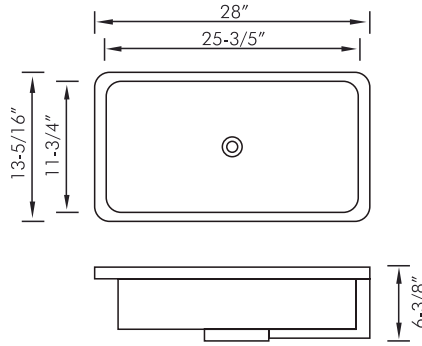


BSN - 1812

FEATURES

- Ceramic material
- White gloss finish
- Overflow
- Overflow chrome ring included
- Pop up drain not included (available)
- Undermount installation
- Size W 17-3/8" x H 12-1/4" x D 6-3/8"

CERAMIC UNDERMOUNT SINK

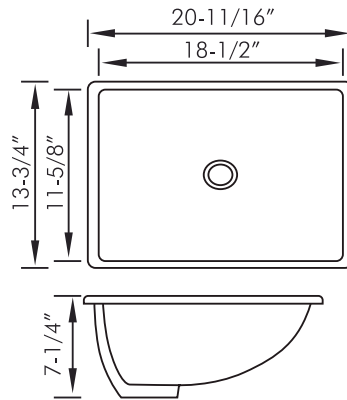


BSN - 2814

FEATURES

- Ceramic material
- White gloss finish
- Overflow
- Pop up drain not included (available)
- Undermount installation
- Size W 28" x H 13-5/16" x D 6-3/8"

CERAMIC UNDERMOUNT SINK

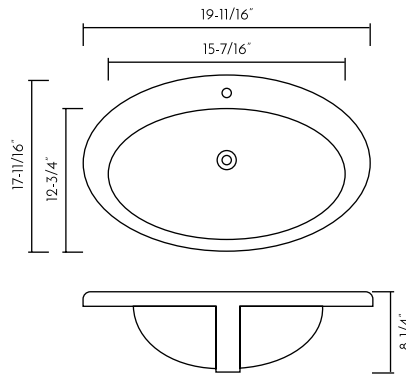


BSN - CL2023

FEATURES

- Ceramic material
- White gloss finish
- Overflow
- Overflow chrome ring included
- Pop up drain not included (available)
- Undermount installation
- Size W 20-11/16" x H 13-3/4" x D 7-1/4"

CERAMIC OVERMOUNT SINK

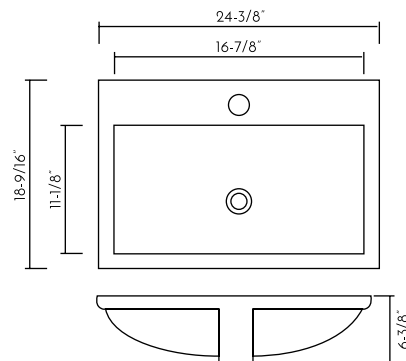


BSN - 209-W

FEATURES

- Ceramic material
- White gloss finish
- Overflow
- Overflow chrome ring included
- Pop up drain not included (available)
- Overmount installation
- Size W 19-11/16" x H 17-11/16" x D 8-1/4"

CERAMIC OVERMOUNT SINK

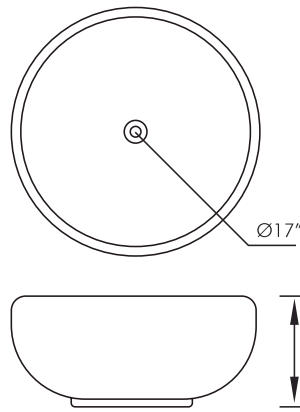


BSN - 660-E

FEATURES

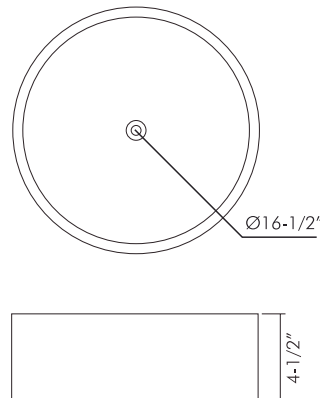
- Ceramic material
- White gloss finish
- Overflow
- Overflow chrome ring included
- Pop up drain not included (available)
- Overmount installation
- Size W 24-3/8" x H 18-9/16" x D 6-3/8"

CERAMIC VESSEL SINK

**BSN - 215-W****FEATURES**

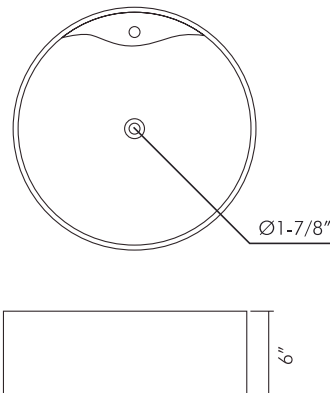
- Ceramic material
- White gloss finish
- Overflow
- Overflow chrome ring included
- Pop up drain not included (available)
- Vessel installation
- Size $\text{Ø} 17'' \times \text{D} 6\text{-}11/16''$

CERAMIC VESSEL SINK

**BSN - 218****FEATURES**

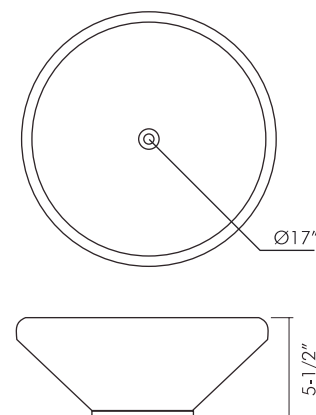
- Ceramic material
- White gloss finish
- Overflow
- Overflow chrome ring included
- Pop up drain not included (available)
- Vessel installation
- Size $\text{Ø} 16\text{-}1/2'' \times \text{D} 4\text{-}1/2''$

CERAMIC VESSEL SINK

**BSN - 222-A****FEATURES**

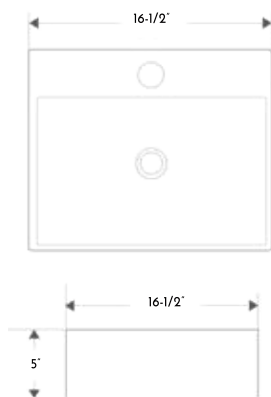
- Ceramic material
- White gloss finish
- Overflow
- Overflow chrome ring included
- Pop up drain not included (available)
- Vessel installation
- Size $\text{Ø} 18\text{-}1/8'' \times \text{D} 6''$

CERAMIC VESSEL SINK

**BSN - 234****FEATURES**

- Ceramic material
- White gloss finish
- Pop up drain not included (available)
- Vessel installation
- Size $\text{Ø} 17'' \times \text{D} 5\text{-}1/2''$

CERAMIC VESSEL SINK

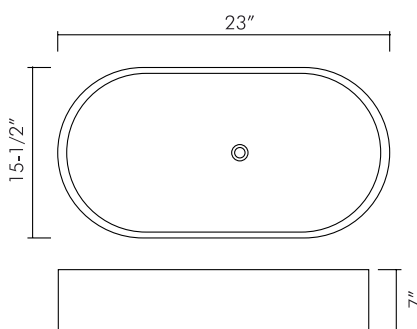


BSN - CL1274

FEATURES

- Ceramic Material
- White Gloss Finish
- Square Shape
- Vessel Installation
- Overflow
- Size W 16-1/2" x H 16-1/2" x D 5"

CERAMIC VESSEL SINK

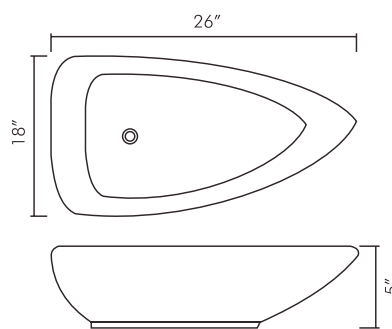


BSN - 243C

FEATURES

- Ceramic material
- White gloss finish
- Overflow
- Overflow chrome ring included
- Pop up drain not included (available)
- Vessel installation
- Size W 23" x H 15-1/2" x D 7"

CERAMIC VESSEL SINK

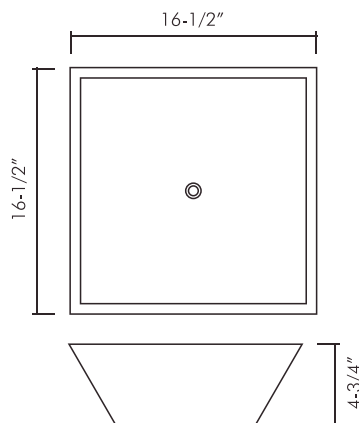


BSN - 223

FEATURES

- Ceramic material
- White gloss finish
- Pop up drain not included (available)
- Vessel installation
- Size W 26" x H 18" x D 5"

CERAMIC VESSEL SINK

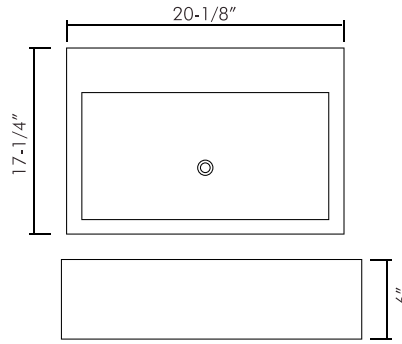


BSN - 230

FEATURES

- Ceramic material
- White gloss finish
- Overflow
- Overflow chrome ring included
- Pop up drain not included (available)
- Vessel installation
- Size W 16-1/2" x H 16-1/2" x D 4-3/4"

CERAMIC VESSEL SINK

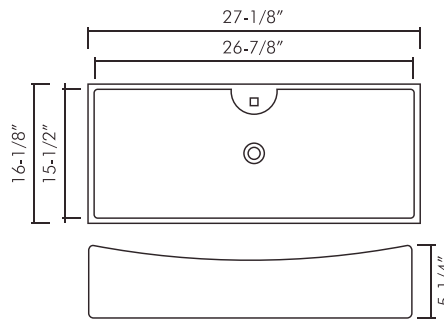


BSN - 241

FEATURES

- Ceramic material
- White gloss finish
- Overflow
- Overflow chrome ring included
- Pop up drain not included (available)
- Vessel installation
- Size W 20-1/8" x H 17-1/4" x D 6"

CERAMIC VESSEL SINK

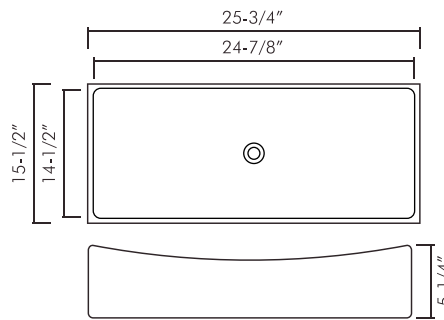


BSN - 280A

FEATURES

- Ceramic material
- White gloss finish
- Pop up drain not included (available)
- Vessel installation
- Size W 27-1/8" x H 16-1/8" x D 5-1/4"

CERAMIC VESSEL SINK

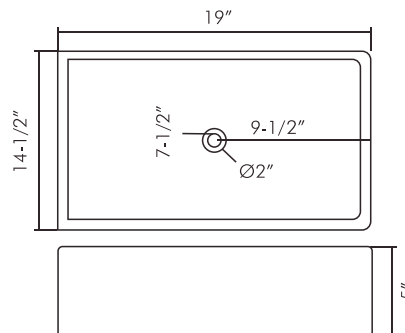


BSN - 280B

FEATURES

- Ceramic material
- White gloss finish
- Pop up drain not included (available)
- Vessel installation
- Size W 25-3/4" x H 15-1/2" x D 5-1/4"

CERAMIC VESSEL SINK

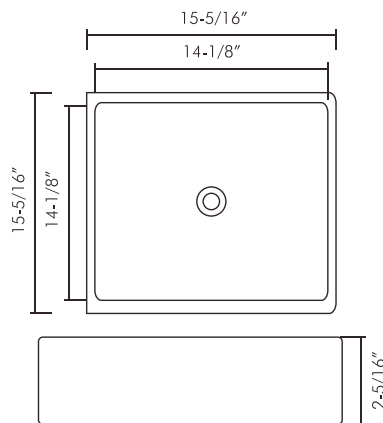


BSN - 285B

FEATURES

- Ceramic material
- White gloss finish
- Pop up drain not included (available)
- Vessel installation
- Size W 19" x H 14-1/2" x D 5"

CERAMIC VESSEL SINK

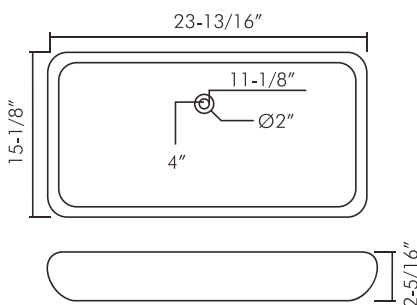


BSN - 285C

FEATURES

- Ceramic material
- White gloss finish
- Pop up drain not included (available)
- Vessel installation
- Size W 15-5/16" x H 15-5/16" x D 2-5/16"

CERAMIC VESSEL SINK

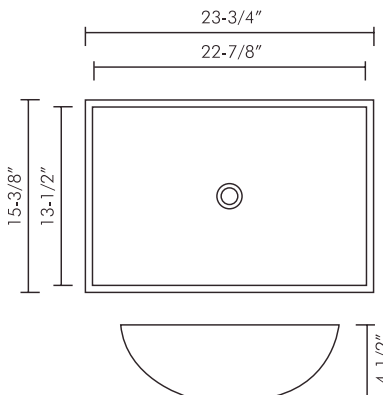


BSN - 285I

FEATURES

- Ceramic material
- White gloss finish
- Pop up drain not included (available)
- Vessel installation
- Size W 23-13/16" x H 15-1/8" x D 2-5/16"

CERAMIC VESSEL SINK

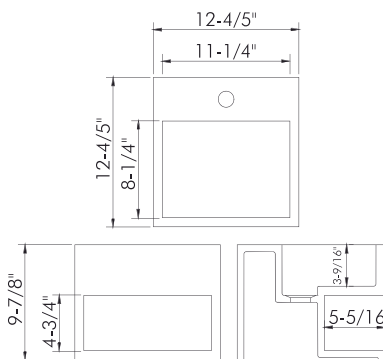


BSN - CL1056

FEATURES

- Ceramic material
- White gloss finish
- Pop up drain not included (available)
- Vessel installation
- Size W 23-3/4" x H 15-3/8" x D 4-1/2"

SOLID SURFACE SINK

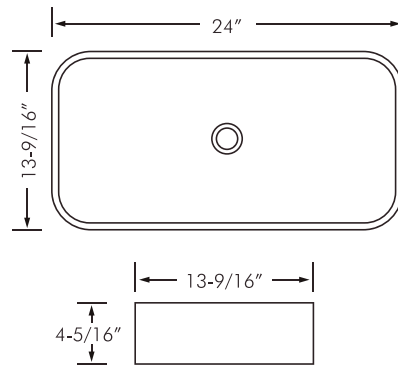


DAX - AB-1360

FEATURES

- Solid Surface Material
- White Matte Finish
- Vessel Installation
- Size W 12-4/5" x H 12-4/5" x D 9-7/8"

SOLID SURFACE SINK

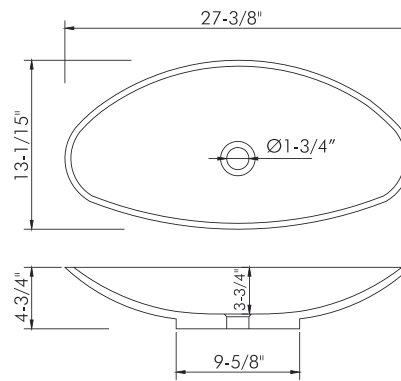


BSN - CL1320

FEATURES

- Ceramic material
- White gloss finish
- Pop up drain not included (available)
- Vessel installation
- Size W 24" x H 13-9/16" x D 4-5/16"

SOLID SURFACE SINK

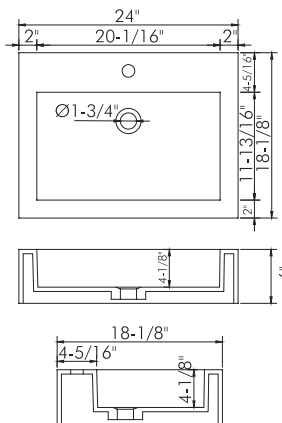


DAX - AB-1302

FEATURES

- Solid surface material
- White matte finish
- Pop up drain not included (available)
- Vessel installation
- Size W 27-3/8" x H 13-1/5" x D 4-3/4"

SOLID SURFACE SINK

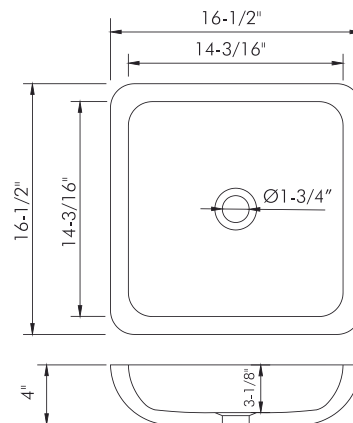


DAX - AB-032

FEATURES

- Solid surface material
- White matte finish
- Overflow
- Overflow chrome ring included
- Pop up drain not included (available)
- Vessel installation
- Size W 24" x H 18-1/8" x D 6"

SOLID SURFACE SINK



DAX - AB-1320

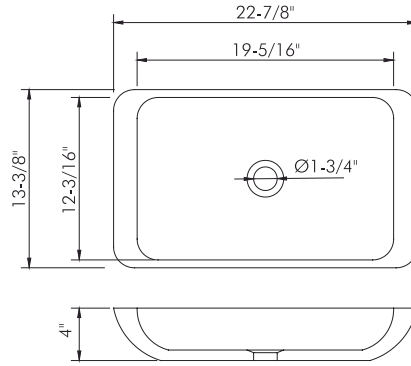
FEATURES

- Solid surface material
- White matte finish
- Pop up drain not included (available)
- Vessel installation
- Size W 16-1/2" x H 16-1/2" x D 4"

FINISH

- DAX-AB-1320 Matte White
- DAX-AB-1320-B Matte Black
- DAX-AB-1320-G Matte Grey

SOLID SURFACE SINK

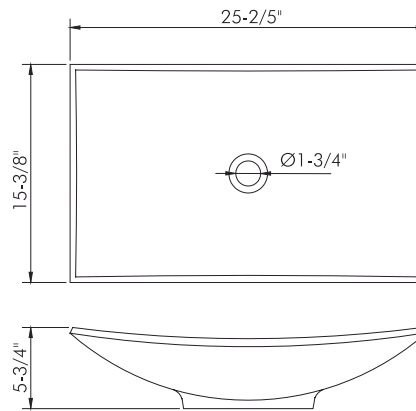


DAX - AB-1321

FEATURES

- Solid surface material
- White matte finish
- Pop up drain not included (available)
- Vessel installation
- Size W 22-7/8" x H 13-3/8" x D 4"

SOLID SURFACE SINK



DAX - AB-1325

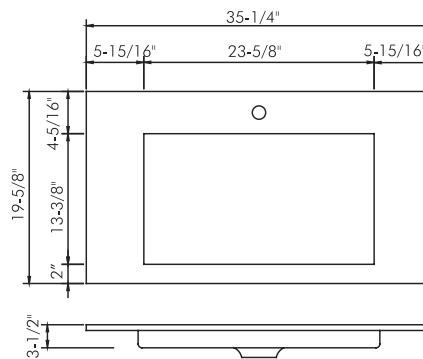
FEATURES

- Solid surface material
- White matte finish
- Pop up drain not included (available)
- Vessel installation
- Size W 25-2/5" x H 15-3/8" x D 5-3/4"

FINISH

- DAX-AB-1325 Matte White
- DAX-AB-1325-B Matte Black
- DAX-AB-1325-G Matte Grey

SOLID SURFACE SINK

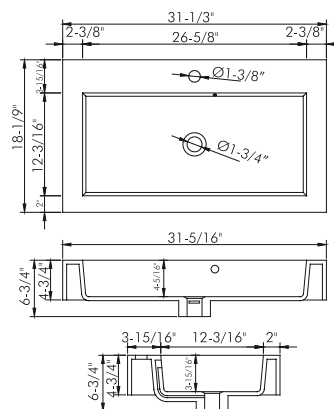


DAX - AB-1331

FEATURES

- Solid surface material
- White matte finish
- Vessel installation
- Size W 35-1/4" x H 19-5/8" x D 3-1/2"

SOLID SURFACE SINK

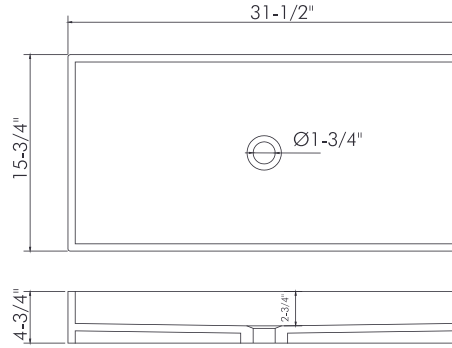


DAX - AB-1021

FEATURES

- Solid surface material
- White matte finish
- Overflow
- Overflow chrome ring included
- Pop up drain not included (available)
- Vessel installation
- Size W 31-1/3" x H 18-1/9" x D 6-3/4"

SOLID SURFACE SINK

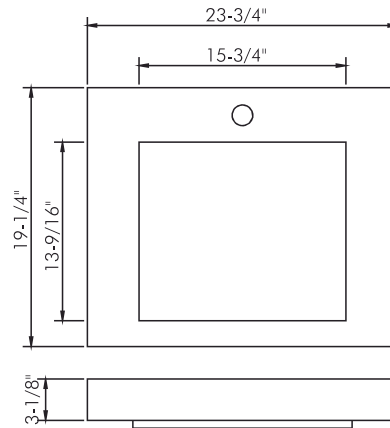


DAX - AB-1327

FEATURES

- Solid surface material
- White matte finish
- Pop up drain not included (available)
- Vessel installation
- Size W 31-1/2" x H 15-3/4" x D 4-3/4"

SOLID SURFACE SINK



DAX - AB-1330

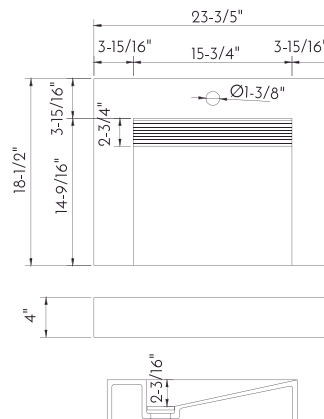
FEATURES

- Solid surface material
- White matte finish
- Vessel installation
- Size W 23-3/4" x H 19-1/4" x D 3-1/8"

FINISH

- DAX-AB-1330 Matte White
- DAX-AB-1330-B Matte Black
- DAX-AB-1330-G Matte Grey

SOLID SURFACE SINK

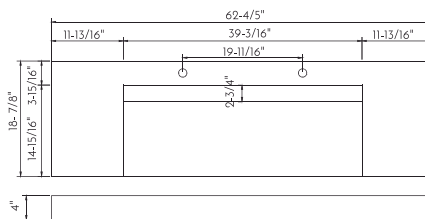


DAX - AB-1379

FEATURES

- Solid surface material
- White matte finish
- Vessel installation
- Size W 23-3/5" x H 18-1/2" x D 4"

SOLID SURFACE SINK

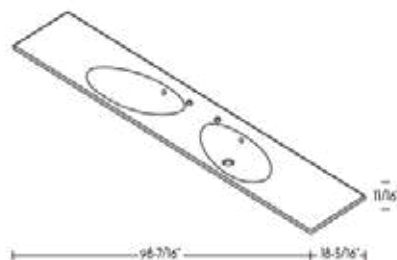


DAX - AB-1371

FEATURES

- Solid surface material
- White matte finish
- Vessel installation
- Size W 62-4/5" x H 18-7/8" x D 4"

SOLID SURFACE SINK



BSN - 70098

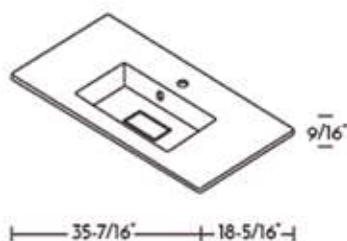
FEATURES

- Solid surface
- Leaf collection
- Size W 98-7/16" x H 18-5/16" x D 11/16"

FINISH

- BSN-70098-G Gloss
- BSN-70098-M Matte

SOLID SURFACE SINK



BSN - 80036

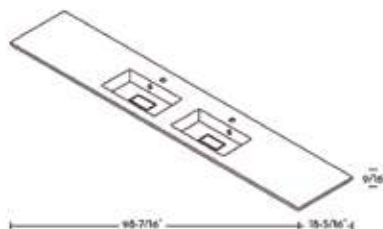
FEATURES

- Solid surface
- Mare collection
- Size W 35-7/16" x H 18-5/16" x D 9/16"

FINISH

- BSN-80036-G Gloss
- BSN-80036-M Matte

SOLID SURFACE SINK



BSN - 80098

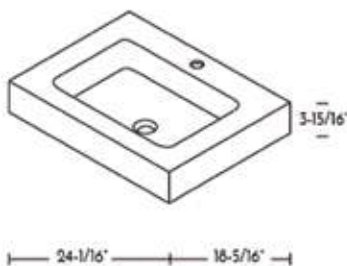
FEATURES

- Solid surface
- Mare collection
- Size W 98-7/16" x H 18-5/16" x D 9/16"

FINISH

- BSN-80098-G Gloss
- BSN-80098-M Matte

SOLID SURFACE SINK



BSN - 90024

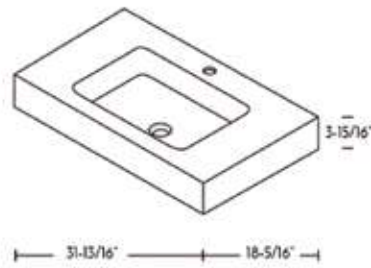
FEATURES

- Solid surface
- Alto Collection
- W 24-1/16" x H 18-5/16" x D 3-15/16"

FINISH

- BSN-90024-G Gloss
- BSN-90024-M Matte

SOLID SURFACE SINK

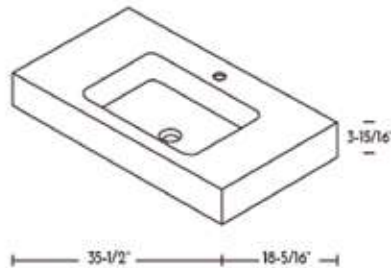
**BSN - 90032****FEATURES**

- Solid surface
- Alto collection
- Size W 31-13/16" x H 18-5/16" x D 3-15/16"

FINISH

- BSN-90032-G Gloss
- BSN-90032-M Matte

SOLID SURFACE SINK

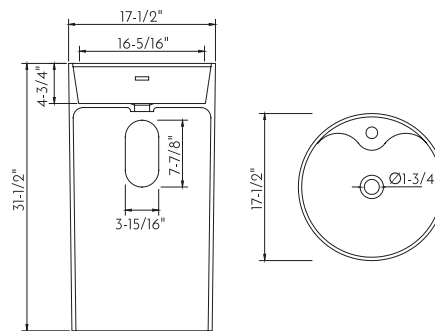
**BSN - 90036****FEATURES**

- Solid surface
- Alto collection
- Size W 35-1/2" x H 18-5/16" x D 3-15/16"

FINISH

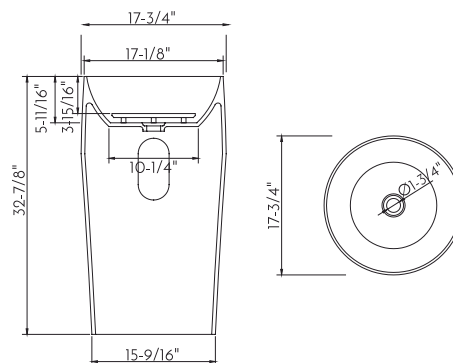
- BSN-90036-G Gloss
- BSN-90036-M Matte

SOLID SURFACE SINK

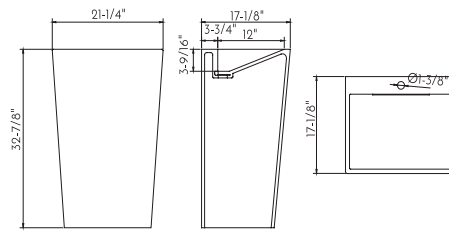
**DAX - AB-1380****FEATURES**

- Solid surface material
- White matte finish
- Pop up drain not included (available)
- Freestanding installation
- Size W 17-1/2" x H 17-1/2" x D 31-1/2"

SOLID SURFACE SINK

**DAX - AB-1381****FEATURES**

- Solid surface material
- White matte finish
- Freestanding installation
- Size W 17-3/4" x H 17-3/4" x D 32-7/8"

**DAX - AB-1384****FEATURES**

- Solid surface material
- White matte finish
- Freestanding installation
- Size W 21-1/4" x H 17-1/8" x D 32-7/8"

DAX - AB-1320







07 BATHROOM
MIRRORS SERIES

BATHROOM MIRRORS

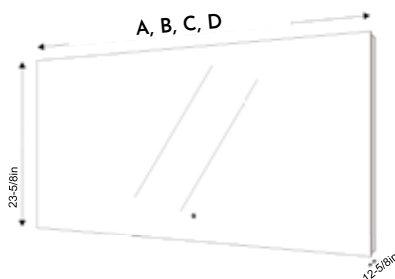


DAX - DL03A-S12160

FEATURES

- Free Standing
- Lighted Mirror
- Size: H 63" x W 16-9/16"
- Chrome Finish
- Glass / Aluminum Material
- No mirror frame
- Rectagle Shape
- Plain simple mirror front

BATHROOM MIRRORS



DAX - DL03C

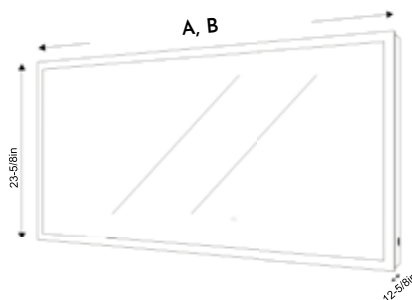
FEATURES

- Sided Back light
- Touch sensor
- Glass / Aluminum Material
- No mirror frame
- Rectangle shape
- Plain simple mirror front

SIZES

- A. DAX-DL03C-8060 32" x 23-5/8"
- B. DAX-DL03C-12060 48" x 23-5/8"
- C. DAX-DL03C-16060 64" x 23-5/8"
- D. DAX-DL03C-18060 72" x 23-5/8"

BATHROOM MIRRORS



DAX - DL03D

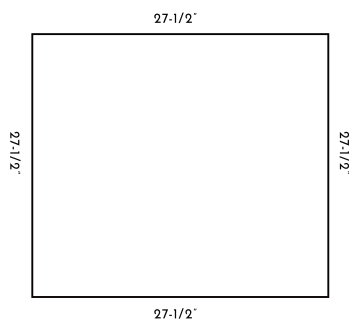
FEATURES

- Wide frost light
- Glass / Aluminum Material
- No mirror frame
- Rectangle shape
- Sandblasted mirror front

SIZES

- A. DAX-DL03D-M8060 32" x 23-5/8"
- B. DAX-DL03D-M12060 48" x 23-5/8"

BATHROOM MIRRORS



DAX - DL03B

FEATURES

- Wide frost light
- Glass / Aluminum Material
- No mirror frame
- Rectangle shape
- Sandblasted mirror front

BATHROOM MIRRORS



DAX - DL50

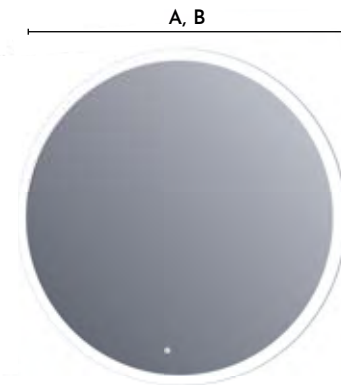
FEATURES

- Round Shape
- Curved engraving back light
- Glass / MDF material
- No mirror frame
- Plain simple mirror front

SIZES

- A. DAX-DL50-6060 23-5/8" mn Without
- B. DAX-DL50-8080 31-1/2" With Magnif

BATHROOM MIRRORS



DAX - DL73

FEATURES

- Diffusive light guideline panel
- Round shape
- Glass / Acrylic material
- No mirror frame
- Sandblasted mirror front

SIZES

- A. DAX-DL73-6060 23-5/8"
- B. DAX-DL73-9090 35-7/16"

BATHROOM MIRRORS

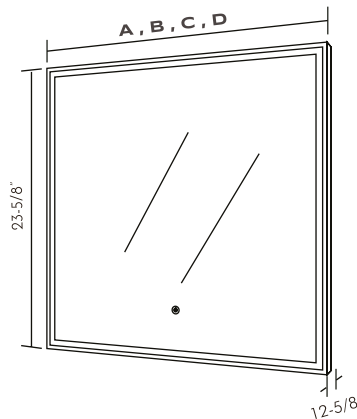


DAX - DL74-6080

FEATURES

- Diffusive light guideline panel
- Rectangle with rounded corners shape
- Size: H 31-1/2" x W 23-5/8" x D 12-5/8"
- Glass / Acrylic material
- No mirror frame
- Sandblasted mirror front

BATHROOM MIRRORS



DAX - DL75

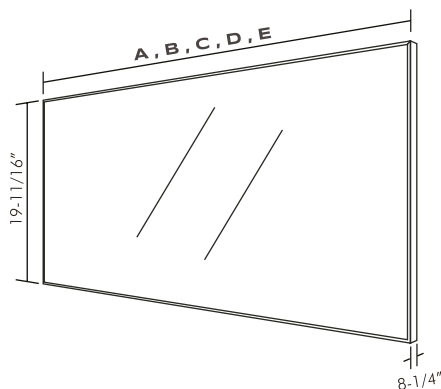
FEATURES

- Aluminum frame
- Led light with touch switch
- Hanging hardware included

SIZES

- A. DAX-DL756060 23-5/8" x 23-5/8"
- B. DAX-DL758060 31-1/2" x 23-5/8"
- C. DAX-DL759060 35-7/16" x 23-5/8"
- D. DAX-DL7510060 39-3/8" x 23-5/8"
- E. DAX-DL7512060 48" x 24"

BATHROOM MIRRORS



DAX - AF1

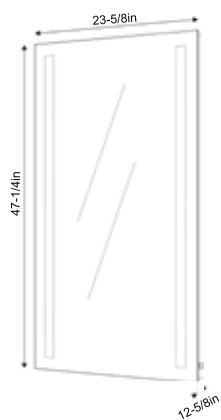
FEATURES

- Aluminum frame
- Hanging hardware included

SIZES

- A. DAX-AF10050 39-3/8" x 19-11/16"
- B. DAX-AF11050 43-5/16" x 19-11/16"
- C. DAX-AF12050 47-1/4" x 19-11/16"
- D. DAX-AF14050 55-1/8" x 19-11/16"
- E. DAX-AF15050 59-1/6" x 19-11/16"

BATHROOM MIRRORS

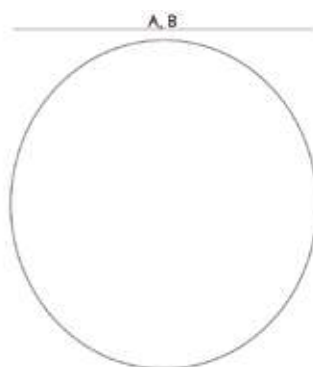


DAX - TH-1

FEATURES

- Rectangular shape
- No mirror frame
- Size: H 47-1/4" x W 23-5/8" x D 12-5/8"
- Lighted mirror

BATHROOM MIRRORS



DAX - 120-STRIP

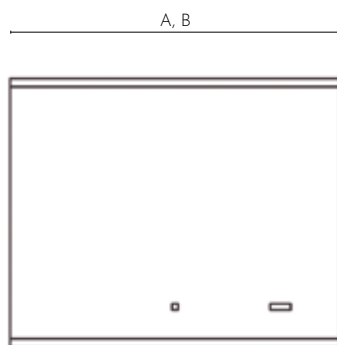
FEATURES

- Round mirror
- Glass thickness 4mm
- Made in Spain

SIZES

- A. DAX -120-STRIP 24" x 24"
- B. DAX -120-STRIP 32" x 32"

BATHROOM MIRRORS



DAX - 120-BAY

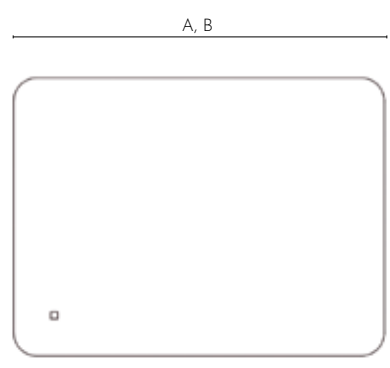
FEATURES

- Contact sensor on/off
- 2 bright LED strips lights
- Digital clock
- 2 speakers 3w each
- No Mirror Frame
- Rectangular Shape
- Metal / Mirror Material

SIZES

- A. DAX-120-BAY0232 32" x 25-9/16"
- B. DAX-120-BAY0240 40" x 25-9/16"

BATHROOM MIRRORS



DAX - 120-CALI

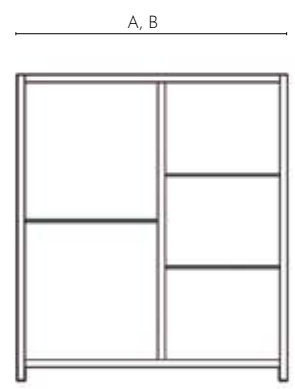
FEATURES

- Contact sensor on/off
- Ambient light
- Reversible
- No mirror frame
- Round corners shape
- Mirror material

SIZES

A. DAX-120-CALIO224 24" x 39 1/4"
 B. DAX-120-CALIO232 32" x 39 1/4"

BATHROOM MIRRORS



DAX - 120-SEA

FEATURES

- 1 door without handle
- Glass shelves
- 2 adjustable mirror hangers
- No mirror frame
- Rectangular shape
- Particle Tableboard (CARB) material
- Bathroom / Vanity type

SIZES

A. DAX-120-SEA0224 24" x 26-3/4"
 B. DAX-120-SEA0232 32" x 26-3/4"

BATHROOM MIRRORS



DAX - 120-SUN

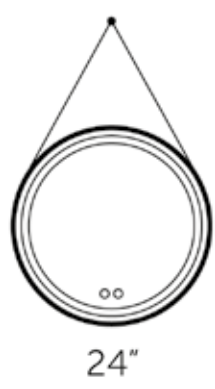
FEATURES

- Rectangular shape
- No mirror frame
- Particle Tableboard (CARB) material
- Reversible

SIZES

A. DAX-120-SUN0124 24" x 31-1/2"
 B. DAX-120-SUN0129 29" x 31-7/8"
 C. DAX-120-SUN0132 32" x 31-1/2"
 D. DAX-120-SUN0140 40" x 31-1/2"
 E. DAX-120-SUN0148 48" x 31-1/2"
 F. DAX-120-SUN0156 56" x 31-1/2"
 G. DAX-120-SUN0164 64" x 32"
 H. DAX-120-SUN0172 72" x 31-1/2"

BATHROOM MIRRORS



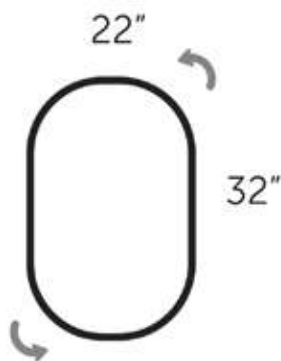
DAX - 120-AURA

FEATURES

- Round mirror
- LED light

SIZES

A. DAX-120-AURAO224 24"
 B. DAX-120-AURAO228 28"

**DAX - 120-SOUL****FEATURES**

- Reversible
- Metal frame

SIZES

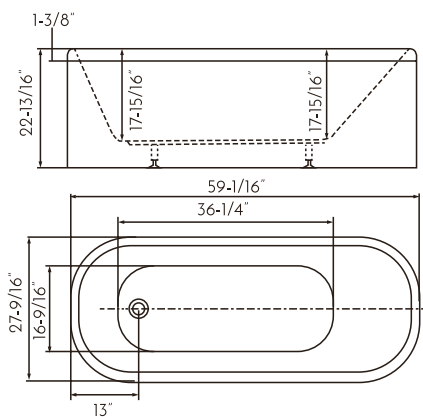
- A. Matt black (DAX-120-SOULO3222-BL)
- B. Matt gold (DAX-120-SOULO3222-GL)

DAX - AF10050



08 BATHTUBS SERIES

BATHTUBS

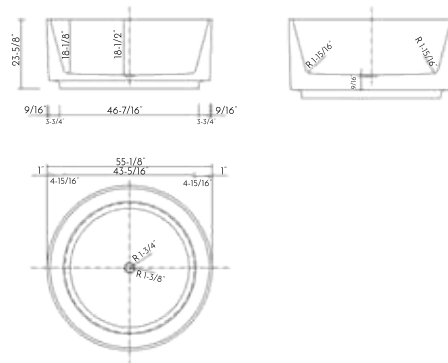


BT - 8062

FEATURES

- Freestanding installation
- Acrylic material
- White gloss finish
- Off center drain
- Overflow
- Overflow drain included
- Pop up drain Included
- Size W 59-1/16" x H 22-13/16" x D 27-9/16"

BATHTUBS

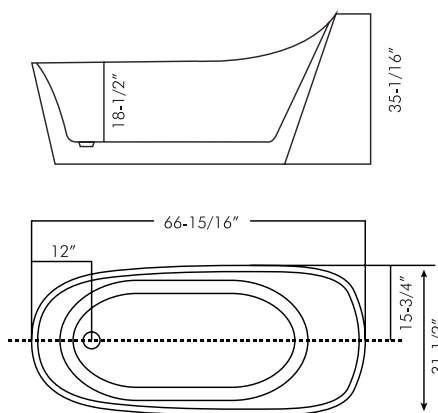


BT - 8028

FEATURES

- Acrylic material
- Freestanding installation
- Glossy white finish
- Round shape
- With overflow
- Maximum capacity: 93.78 gallons

BATHTUBS

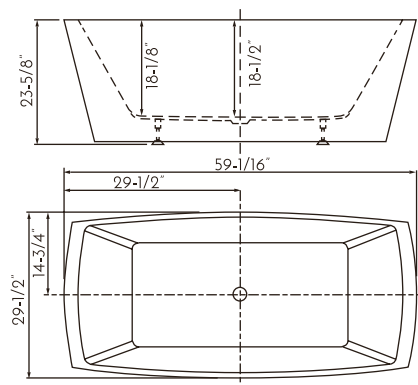


BT - 8089

FEATURES

- Freestanding installation
- Acrylic material
- White gloss finish
- Off center drain
- Overflow
- Overflow drain included
- Pop up drain Included
- Size W 66-15/16" x H 35-1/16" x D 31-1/2"

BATHTUBS

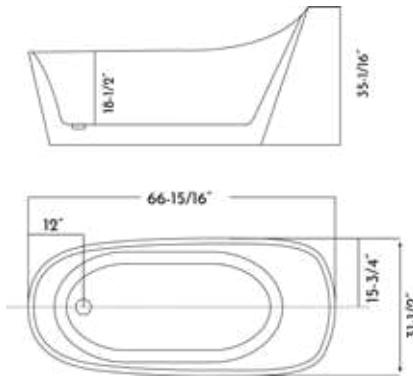


BT - 8017

FEATURES

- Freestanding installation
- Acrylic material
- White gloss finish
- Central Drain
- Overflow
- Overflow drain included
- Pop up drain Included
- Size W 59-1/16" x H 23-5/8" x D 29-1/2"

BATHTUBS

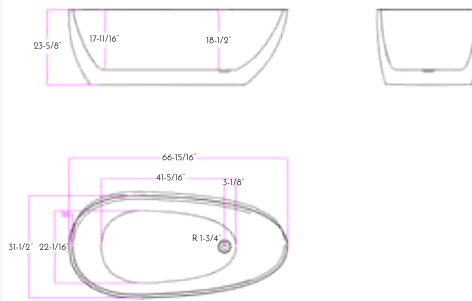


BT - 8099

FEATURES

- Acrylic Material
- Freestanding
- Glossy White Finish
- Oval Shape
- With Overflow
- Maximum Capacity 93.78 Gallons

BATHTUBS

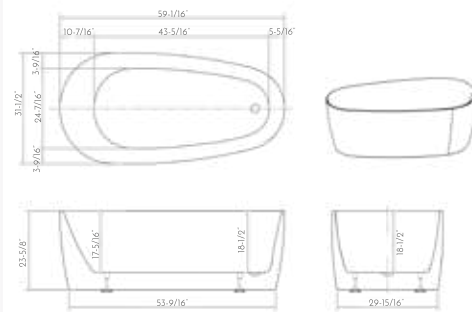


BT - 8317

FEATURES

- Acrylic material
- Freestanding installation
- Glossy white finish
- Oval shape
- With overflow
- Maximum capacity: 70 gallons

BATHTUBS



BT - 8365

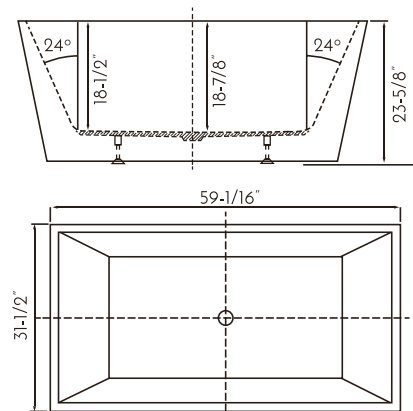
FEATURES

- Acrylic material
- Freestanding Installation
- Oval shape
- With overflow
- Maximum capacity: 68.68 gallons

FEATURES

- Glossy white (BT-8365)
- Matt white (BT-8365-M)

BATHTUBS

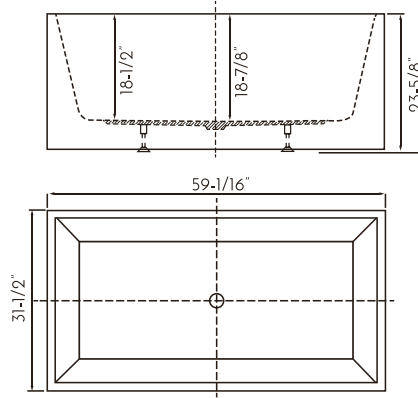


BT - 8013

FEATURES

- Freestanding installation
- Acrylic material
- White gloss finish
- Central Drain
- Overflow
- Overflow drain included
- Pop up drain Included
- Size W 59-1/16" x H 23-5/8" x D 31-1/2"

BATHTUBS

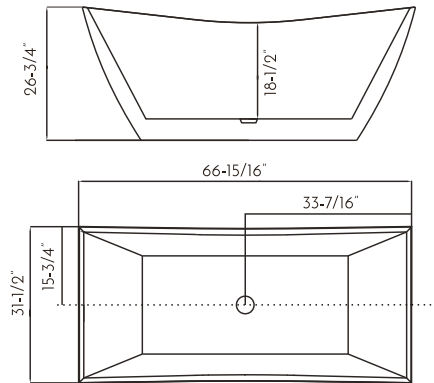


BT - 8013A

FEATURES

- Freestanding installation
- Acrylic material
- White gloss finish
- Central Drain
- Overflow
- Overflow drain included
- Pop up drain Included
- Size W 59-1/16" x H 23-5/8" x D 31-1/2"

BATHTUBS

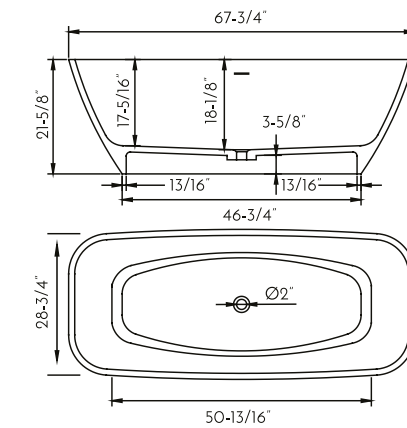


BT - 8086

FEATURES

- Freestanding installation
- Acrylic material
- White gloss finish
- Central drain
- Overflow
- Overflow drain included
- Pop up drain Included
- Size W 66-15/16" x H 26-3/4" x D 31-1/2"

BATHTUBS

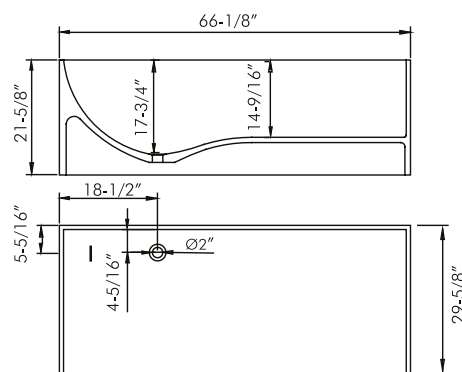


BT - AB-BO37

FEATURES

- Freestanding installation
- Solid surface
- White matte finish
- Central Drain
- Overflow
- Overflow drain included
- Drain not included
- Size W 67-3/4" x H 21-5/8" x D 28-3/4"

BATHTUBS



BT - AB - BO29

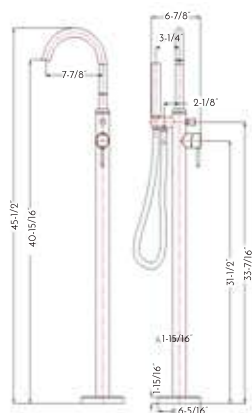
FEATURES

- Freestanding installation
- Solid surface
- White matte finish
- Off center drain
- Overflow
- Overflow drain included
- Drain not included
- Size W 66-1/8" x H 21-5/8" x D 29-5/8"



09 BATHTUB
FILLERS SERIES

BATHTUB FILLERS



DAX - 8823

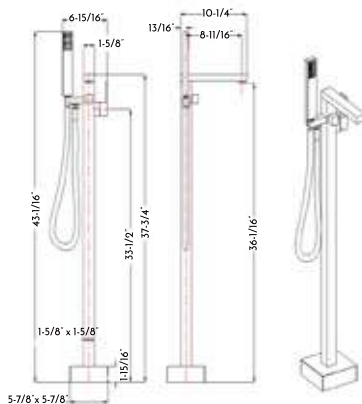
FEATURES

- Free Standing with Gooseneck spout
- Handle Flow Rate: 2.2 GPM at 60 PSI
- Spout Flow rate: 2.5 GPM at 79 PSI
- Hoses and mounting parts included
- Brushed gold Finish

FEATURES

- DAX-8823-BG Brushed gold
- DAX-8823-BL Matt black
- DAX-8823-BN Brushed nickel
- DAX-8823-CR Chrome

BATHTUB FILLERS



DAX - 8833

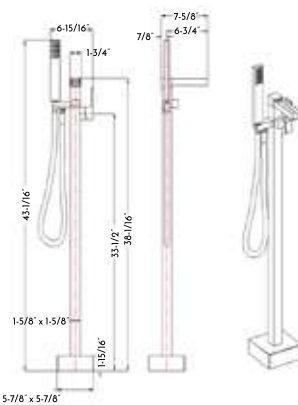
FEATURES

- Free Standing with Hand Shower and square spout
- Handle Flow Rate: 2.2 GPM at 60 PSI
- Spout Flow rate: 2.5 GPM at 79 PSI
- Hoses and mounting parts included
- Brushed Gold Finish

FEATURES

- DAX-8833-BG Brushed gold
- DAX-8833-BL Matt black
- DAX-8833-BN Brushed nickel
- DAX-8833-CR Chrome

BATHTUB FILLERS



DAX - 8853

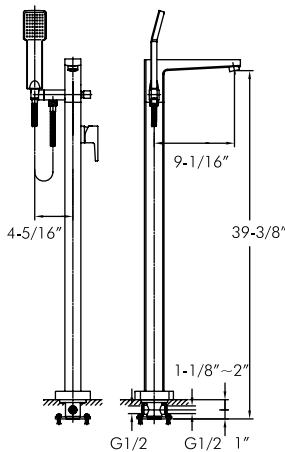
FEATURES

- Free standing with hand shower and waterfall spout
- Flow rate: Handle 2.2 GPM at 60 PSI
- Spout 2.5 GPM at 79 PSI
- Ceramic cartridge
- Water lines and mounting parts included

FEATURES

- DAX-8853-BN Brushed nickel
- DAX-8853-CR Chrome

BATHTUB FILLERS

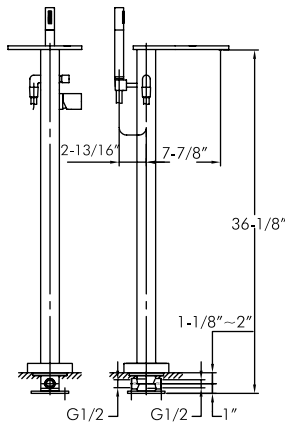


DAX - 8129

FEATURES

- Floor mount
- Brass body
- Chrome finish
- Anti-scalding protection
- Ceramic cartridge
- Flow rate 5.0 GPM
- Hand shower included
- Mounting parts and water lines included

BATHTUB FILLERS

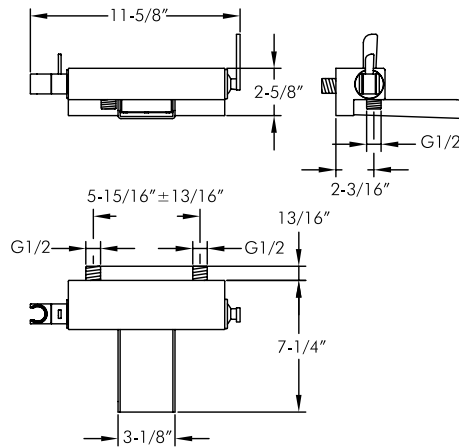


DAX - 8180

FEATURES

- Floor mount
- Brass body
- Chrome finish
- Anti-scalding protection
- Ceramic cartridge
- Hand shower included
- Mounting parts and water lines included

BATHTUB FILLERS



DAX - 8105

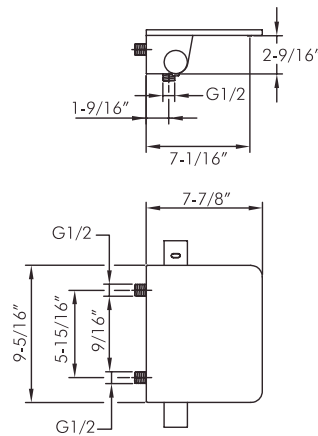
FEATURES

- Wall mount
- Brass body
- Chrome finish
- Anti-scalding protection
- Ceramic cartridge
- Flow rate 3.3 GPM
- Hand shower included
- Mounting parts and water lines included

FINISH

- DAX-8105-CR Chrome
- DAX--8105-BN Brushed nickel

BATHTUB FILLERS



DAX - 8190

FEATURES

- Wall mount
- Brass body
- Chrome finish
- Thermostatic valve
- Anti-scalding protection
- Ceramic cartridge
- Flow rate 2.0 GPM
- Mounting parts and water lines included

REQUIRES

- D-H34
- DAX-516
- DAX-044-CR

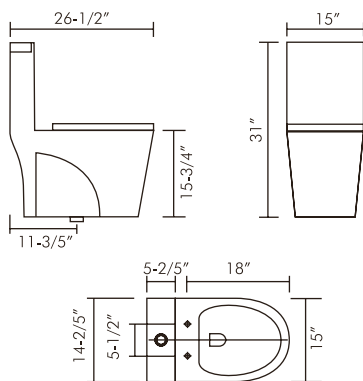
DAX - 8190





TOILETS SERIES 10

TOILETS

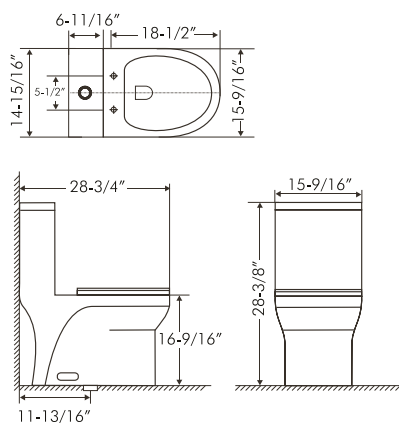


BSN - CL12011

FEATURES

- Ceramic material
- White gloss finish
- Chrome flush buttons
- Soft close seat included
- Dual flush
- 1.06 - 1.6 GPF
- One piece construction
- Floor mount

TOILETS

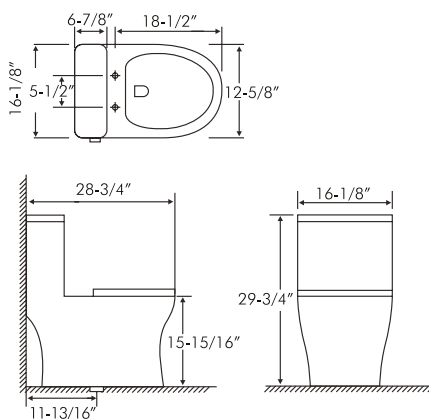


BSN - CL12050A

FEATURES

- Ceramic material
- White gloss finish
- Chrome flush buttons
- Soft close seat included
- Dual flush
- 1.06 - 1.6 GPF
- One piece construction
- Floor mount

TOILETS



BSN - CL12243

FEATURES

- Ceramic material
- White gloss finish
- Chrome flush buttons
- Soft close seat included
- Dual flush
- 1.06 - 1.6 GPF
- One piece construction
- Floor mount

TOILETS

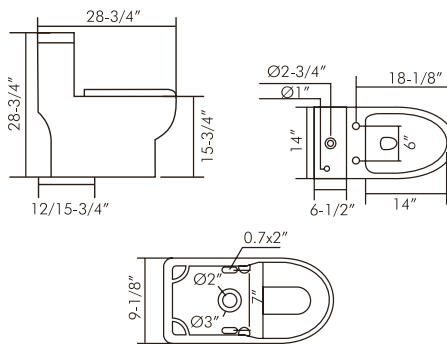


BSN - 11

FEATURES

- Ceramic material
- White gloss finish
- Chrome flush buttons
- Soft close seat included
- Dual flush
- 1.06 - 1.6 GPF
- One piece construction
- Floor mount

TOILETS

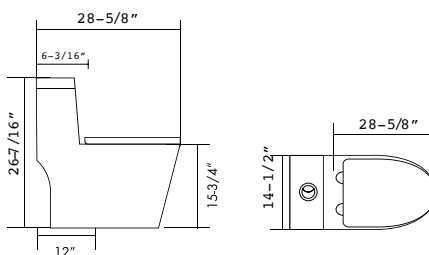


BSN - 76

FEATURES

- Ceramic material
- White gloss finish
- Chrome flush buttons
- Soft close seat included
- Dual flush
- 1.1 - 1.6 GPF
- One piece construction • Floor mount

TOILETS

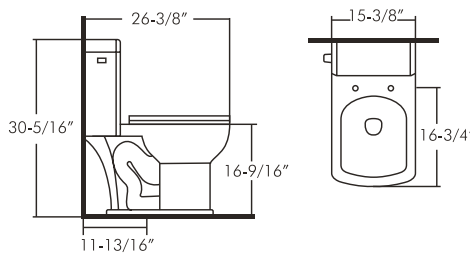


BSN - 80

FEATURES

- Porcelain material
- White finish
- Chrome flush buttons
- Soft close seat included
- Dual flush
- 1.06 - 1.6 GPF
- One piece construction
- Floor mount

TOILETS

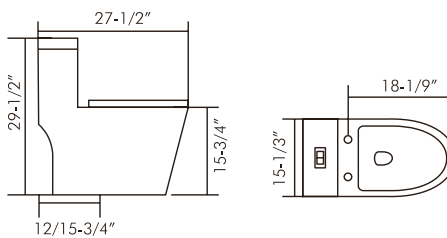


BSN - 105

FEATURES

- Ceramic material
- White gloss finish
- Chrome flush buttons
- Soft close seat included
- Single flush
- 1.06 - 1.6 GPF
- One piece construction
- Floor mount

TOILETS

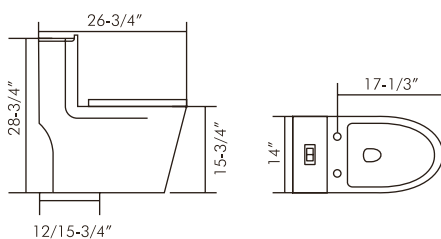


BSN - 832

FEATURES

- Ceramic material
- White gloss finish
- Chrome flush buttons
- Soft close seat included
- Dual flush
- 1.06 - 1.6 GPF
- One piece construction
- Floor mount

TOILETS

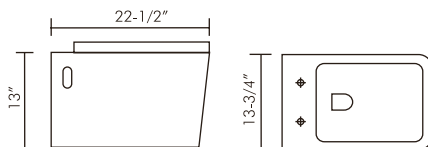


BSN - 835

FEATURES

- Ceramic material
- White gloss finish
- Chrome flush buttons
- Soft close seat included
- Dual flush
- 1.06 - 1.6 GPF
- One piece construction
- Floor mount

TOILETS

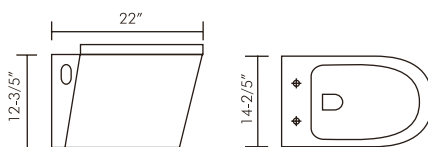


BSN - CL11002A

FEATURES

- Ceramic material
- White gloss finish
- Soft close seat included
- 1.06 - 1.6 GPF
- Wall Mount
- Concealed tank included (BSN-CL17010)

TOILETS

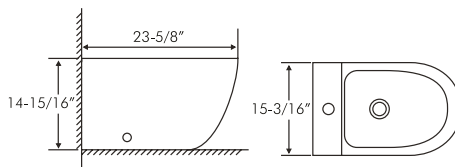


BSN - CL11025

FEATURES

- Ceramic material
- White gloss finish
- Soft close seat included
- 1.06 - 1.6 GPF
- Wall Mount
- Concealed tank included (BSN-CL17010)

BIDET

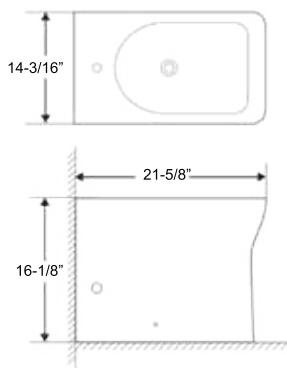


BSN - 1101

FEATURES

- Ceramic material
- White gloss finish
- Drain not included
- One piece construction
- Floor mount

BIDET

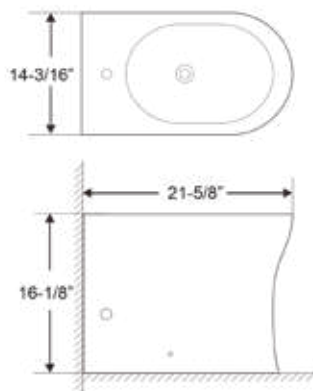


BSN - CL12248F

FEATURES

- Wall Hanging Bidet
- Ceramic material
- White finish
- Size: H 16-1/8" x W 14-3/16" x L 21-5/8"

BIDET

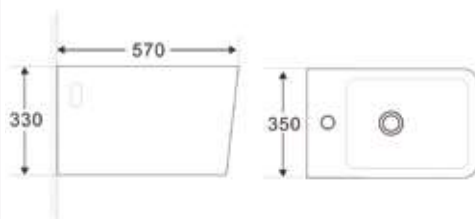


BSN - CL12249F

FEATURES

- Wall Hanging Bidet
- Ceramic material
- White finish
- Size: H 16-1/8" x W 14-3/16" x L 21-5/8"

BIDET



BSN - CL11002B

FEATURES

- Wall Hanging Bidet
- Ceramic material
- White finish
- Size: H 13" x W 13-3/4" x L 22-1/2"

BSN - 43A



BSN - 3



BSN - 11-1

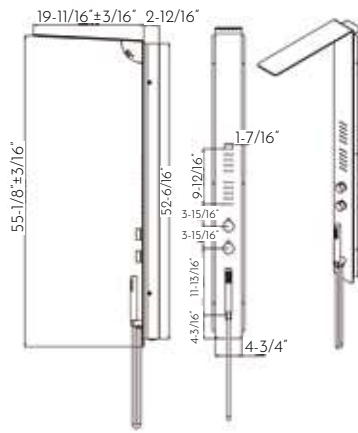




11

SHOWER PANELS
SERIES

SHOWER PANELS

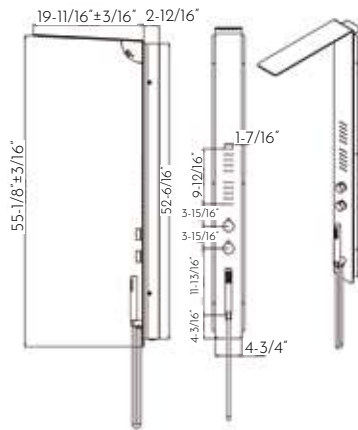


DAX - O34

FEATURES

- Stainless steel shower panel
- 3 functions
- Pressure balance valve
- UPC approved
- Hand shower
- 2 Body Jets
- Brushed stainless steel finish

SHOWER PANELS

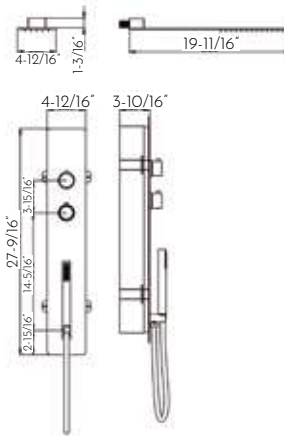


DAX - O34-2

FEATURES

- Stainless steel shower panel
- 2 body jets
- UPC approved
- Hand shower
- Pressure balance valve
- Brushed stainless steel finish

SHOWER PANELS

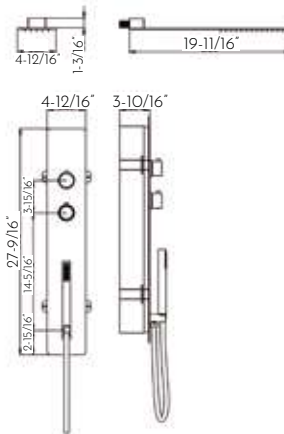


DAX - O38-1

FEATURES

- Stainless Steel shower system
- 2 functions
- UPC approved
- Hand shower
- Thermostatic Mixer
- Mirror finish

SHOWER PANELS

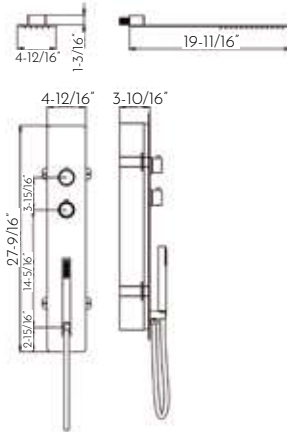


DAX - O38-1MB

FEATURES

- Stainless steel shower system
- 2 functions
- UPC approved
- Hand shower
- Thermostatic Mixer
- Matte Black finish

SHOWER PANELS

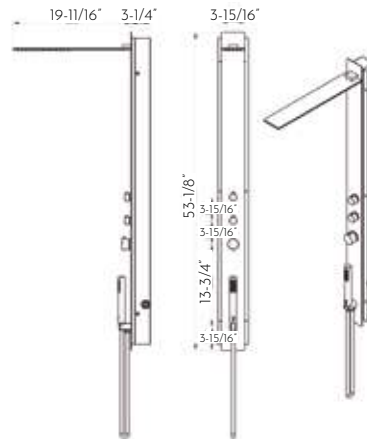


DAX - O38-1MW

FEATURES

- Stainless steel shower system
- 2 functions
- UPC approved
- Hand shower
- Thermostatic Mixer
- Matte white finish

SHOWER PANELS

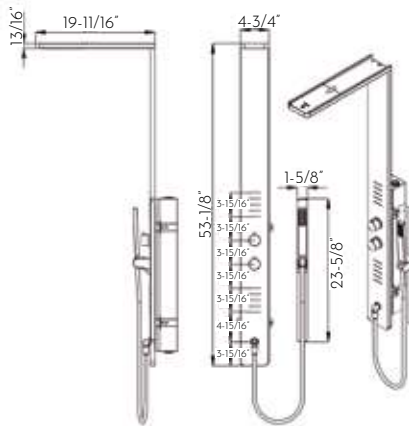


DAX - O39

FEATURES

- Stainless steel shower panel
- 2 functions
- UPC approved
- Hand shower
- Thermostatic mixer
- Mirror finish

SHOWER PANELS

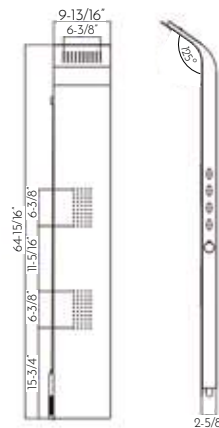


DAX - O45-2R

FEATURES

- Stainless steel shower panel
- Pressure balance valve
- 3 functions
- UPC approved
- Hand shower
- Brushed stainless steel finish

SHOWER PANELS



DAX - 111PB-BN

FEATURES

- Stainless steel shower panel
- 4 functions
- Pressure Balance valve
- Body jets
- UPC approved
- Hand shower

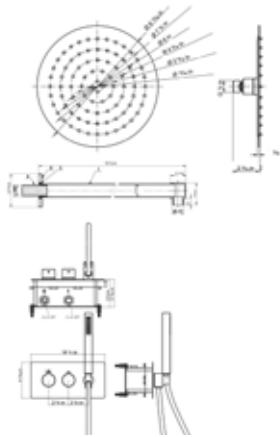




SHOWER SYSTEMS
SERIES

12

SHOWER SYSTEMS

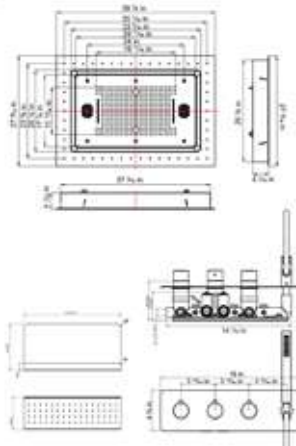


DAX - 2002

FEATURES

- Thermostatic shower with 3 functions
- Stainless steel shower head and hand shower
- Chrome finish
- Brass shower arm and hand shower holder
- UPC approved

SHOWER SYSTEMS

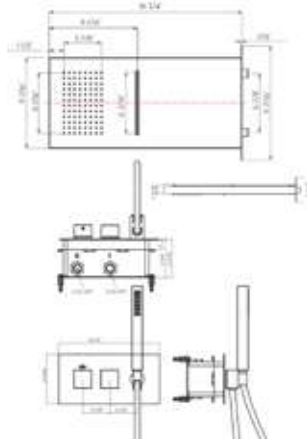


DAX - 5002

FEATURES

- Multi-function valve
- Ceiling mount shower head
- Rainshower
- Mist sprayer
- Waterfall
- Double rain
- Handshower Included
- LED lights
- Silicone water nozzles
- Ceramic cartridge
- Valve flow rate 10.6 GPM
- Shower head flow rate 5.5 GPM
- Handshower head flow rate 6.34 GPM
- Brass body
- Chrome finish

SHOWER SYSTEMS

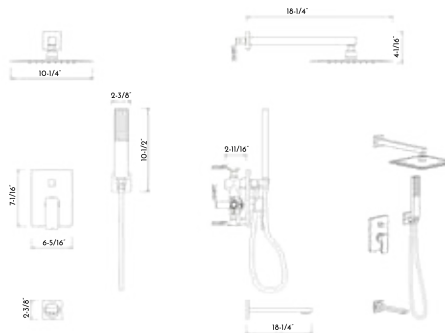


DAX - 9003

FEATURES

- Thermostatic shower system with 3 functions
- UPC approved
- Brass hand shower material
- chrome finish
- rectangular
- 304 Stainless Steel

SHOWER SYSTEMS



DAX - 6563A

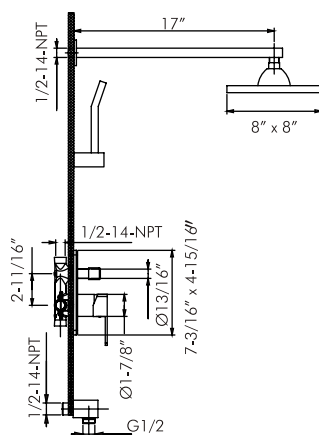
FEATURES

- 3 Way shower system
- Hand shower flow rate: 2.5 GPM
- Shower head flow rate: 2.5 GPM
- Rough-In valve flow rate: 9.5 GPM
- UPC approved
- Water lines and mounting parts included

FINISH

- DAX-6563A-BL Matt black
- DAX-6563A-BN Brushed nickel
- DAX-6563A-CR Chrome

SHOWER SYSTEMS



DAX - 6813B

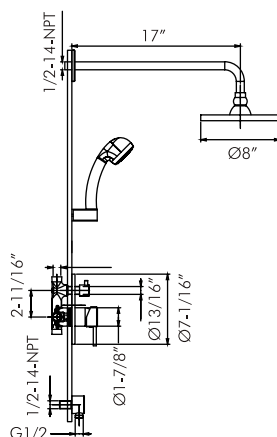
FEATURES

- Hand shower flow rate: 2.5 GPM
- Shower head flow rate: 2.5 GPM
- Rough-in valve flow rate: 9.5 GPM
- UPC Approved
- Water lines and mounting parts included
- Ceramic Cartridge
- Brass Body
- Pressure balance valve

FINISH

- DAX-6813B-BN Brushed nickel
- DAX-6813B-CR Chrome
- DAX-6813B-BG Brushed gold

SHOWER SYSTEMS



DAX- 6813

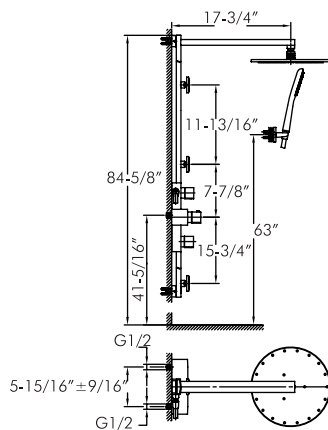
FEATURES

- Two function valve
- Wall mount shower head
- Rainshower
- Handshower included
- Silicone water nozzles
- Ceramic cartridge
- Shower head flow rate 2.5 GPM
- Handshower head flow rate 2.5 GPM
- Pressure balance valve
- Brass body

FINISH

- DAX-6813-BN Brushed nickel
- DAX-6813-CR Chrome

SHOWER SYSTEMS

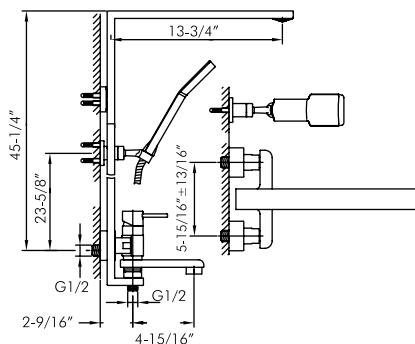


DAX- FH8452-675

FEATURES

- Three function valve
- Wall mount system
- Rainshower
- Body jets with independent control
- Handshower included
- Silicone water nozzles
- Ceramic cartridge
- Flow rate 2.0 GPM
- Thermostatic valve
- Anti-scalding protection
- Brass body
- Chrome finish

SHOWER SYSTEMS



DAX- 8166C-CR

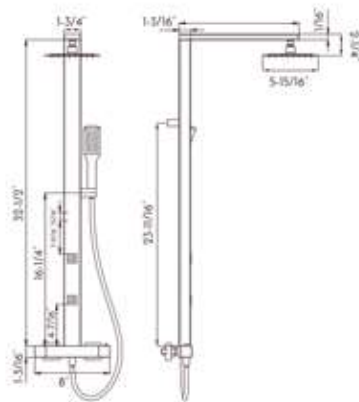
FEATURES

- Three function spout diverter
- Wall mount system
- Rainshower
- Tub filler
- Handshower included
- Ceramic cartridge
- Flow rate 2.0 GPM
- Anti-scalding protection
- Brass body

FINISH

- DAX -8166C-CR Chrome
- DAX -8166C-BL Matt black

SHOWER SYSTEMS

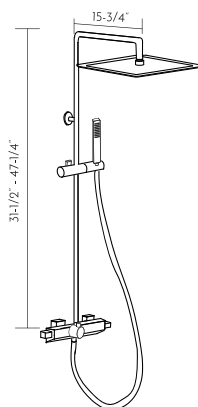


DAX - 019-CR

FEATURES

- Two functions
- Square
- Thermostatic shower column with
- 304 stainless steel
- UPC approved
- Handshower included
- 3 Bodysprays
- Brass body
- Chrome finish

SHOWER SYSTEMS



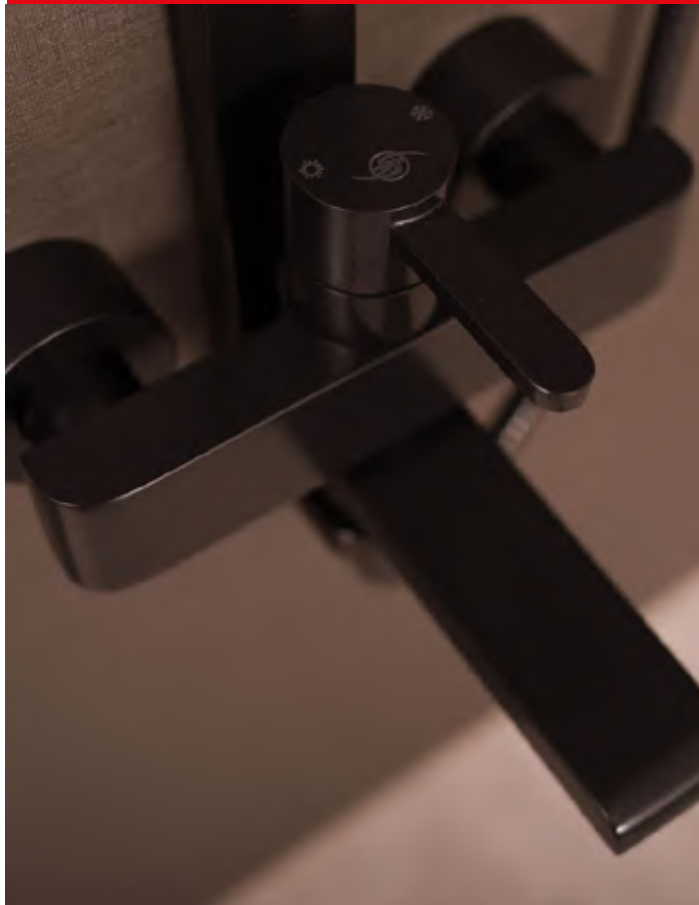
DAX - 047

FEATURES

- Shower column
- Flow rate control
- thermostatic shower column with 3 functions
- UPC approved
- Stainless steel
- Chrome finish

DAX - 8166C-BL

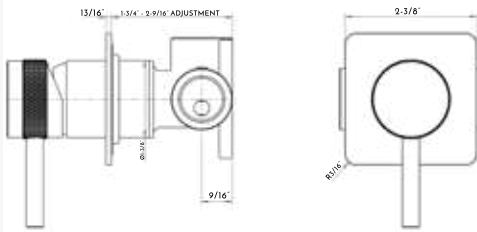
DAX - 5002





SHOWER VALVES
SERIES 13

SHOWER VALVES

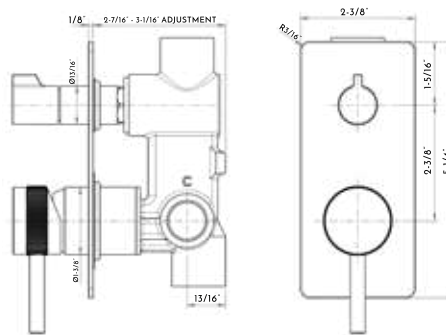
**DAX - 12541****FEATURES**

- Brass material
- Handle material: zinc alloy
- Installation type: concealed
- Rough-in valve flow rate: 4.2 Bar 6.12 GPM

FINISH

- DAX-12541-BL Matt black
- DAX-12541-CR Chrome

SHOWER VALVES

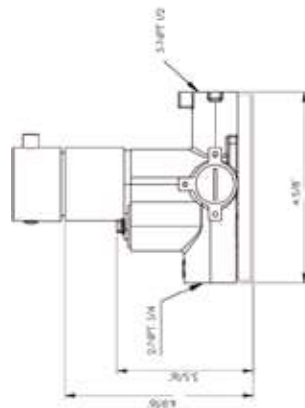
**DAX - 12542****FEATURES**

- Brass material
- Handle material: Zinc alloy
- Installation type: concealed
- Hand shower flow rate: 4.2 Bar 4.74 GPM
- Shower head flow rate: 4.2 Bar 4.91 GPM

FINISH

- DAX-12542-BL Matt black
- DAX-12542-CR Chrome

SHOWER VALVES

**DAX - 1050-RD****FEATURES**

- Concealed thermostatic mixer with 3 functions
- Brass Body
- 304 Stainless Steel Round Trim
- UPC Approved

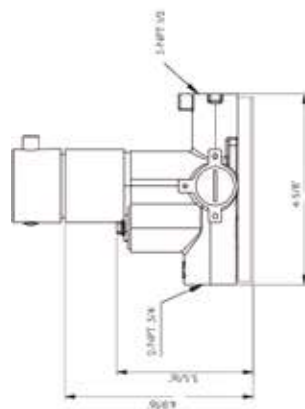
FINISH

- DAX-1050-RD-BN Brushed nickel
- DAX-1050-RD-BL Matt black
- DAX-1050-RD-CR Chrome

INCLUDED

- DAX-050-HP01-CR / BN / BL
- DAX-1050-CR / BN / BL

SHOWER VALVES

**DAX - 1050-SQ****FEATURES**

- Concealed Thermostatic Mixer with 3 functions
- Brass body
- 304 stainless steel square trim
- UPC approved
- Square handles

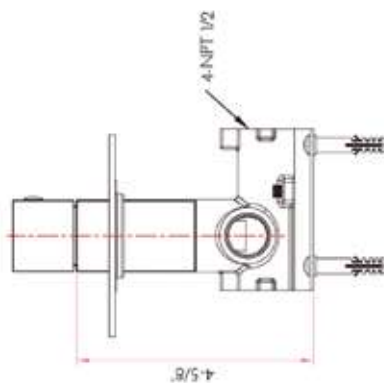
FINISH

- DAX - 1050-SQ-BL Matt black
- DAX - 1050-SQ-BN Brushed nickel
- DAX - 1050-SQ-CR Chrome

INCLUDED

- DAX-1050-HP03-CR
- DAX-1050-CR

SHOWER VALVES



DAX - 1053-RD

FEATURES

- 3 Way Shower Valve
- Brass Body
- 304 Stainless Steel Square Trim
- UPC Approved

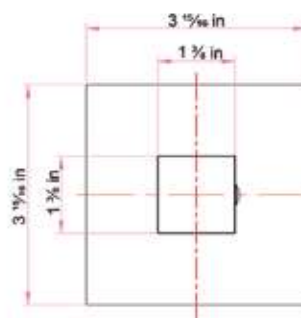
FINISH

- DAX-1053-RD-CR Chrome
- DAX-1053-RD-BN Brushed nickel
- DAX-1053-RD-BL Matt black

INCLUDED

- DAX-1053-HP03-CR / BN / BL
- DAX-1053-CR / BN / BL

SHOWER VALVES



DAX - 1053-SQ

FEATURES

- 3 Way Shower Valve
- Brass Body
- 304 Stainless Steel Square Trim
- UPC Approved

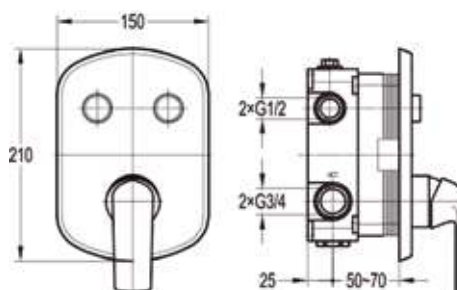
FINISH

- DAX-1053-SQ-CR Chrome
- DAX-1053-SQ-BN Brushed nickel
- DAX-1053-SQ-BL Matt black

INCLUDED

- DAX-1053-HP03-CR / BN / BL
- DAX-1053-CR / BN / BL

SHOWER VALVES

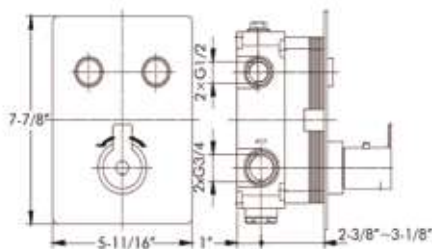


DAX - 7303 - BN

FEATURES

- Two functions
- Ceramic cartridge
- Brass body
- DAX click on system

SHOWER VALVES



DAX - 7303A

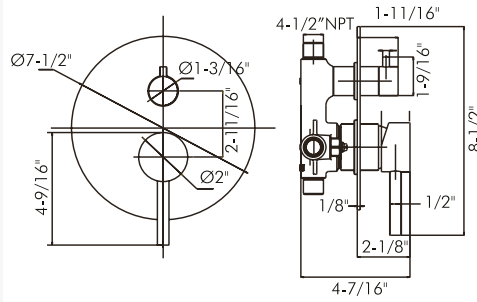
FEATURES

- Two functions
- Thermostatic
- Ceramic cartridge
- Brass body
- DAX click on System

FEATURES

- DAX-7303A-CR
- DAX-7303A-BN

SHOWER VALVES



DAX - 6973

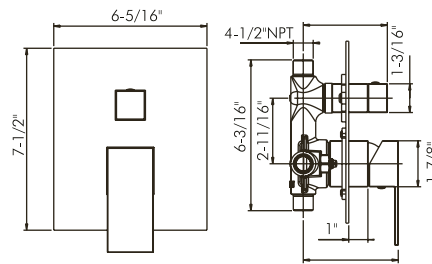
FEATURES

- Two functions
- Pressure balance
- Ceramic cartridge
- Brass body

FINISH

- DAX-6973-BN Brushed Nickel
- DAX-6973-CR Chrome

SHOWER VALVES



DAX - 6973A

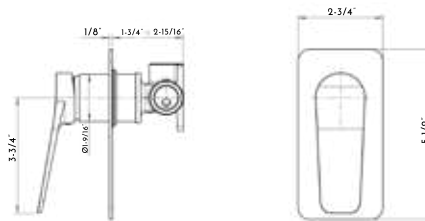
FEATURES

- Two functions
- Pressure balance
- Ceramic cartridge
- Brass body

FINISH

- DAX-6973-BN Brushed Nickel
- DAX-6973-CR Chrome

SHOWER VALVES



DAX - 13555

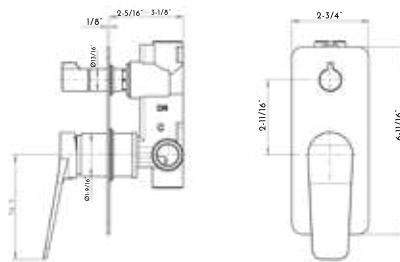
FEATURES

- Brass material
- Handle material: zinc alloy
- Installation type: concealed
- Rough-in valve flow rate: 4.2 Bar 6.7 GPM

FINISH

- DAX-13555-BL Matt black
- DAX-13555-CR Chrome

SHOWER VALVES



DAX - 13556

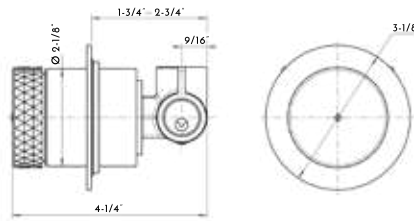
FEATURES

- Brass material
- Handle material: zinc alloy
- Installation type: concealed
- Hand shower flow rate: 4.2 Bar 5.01 GPM
- Shower head flow rate: 4.2 Bar 5.41 GPM

FINISH

- DAX-13556-BL Matte black
- DAX-13556-CR Chrome

SHOWER VALVES



DAX - 13565

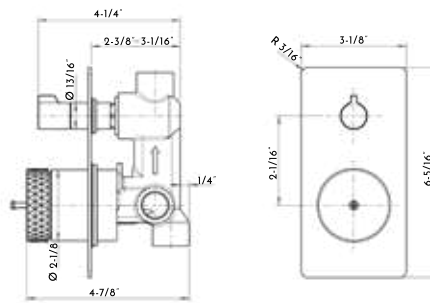
FEATURES

- Brass material
- Handle material: zinc alloy
- Installation type: concealed
- Rough-in valve flow rate: 4.2 Bar 7.6 GPM

FINISH

- DAX-13565-CR Chrome
- DAX-13565-BL Matt black

SHOWER VALVES



DAX-65150

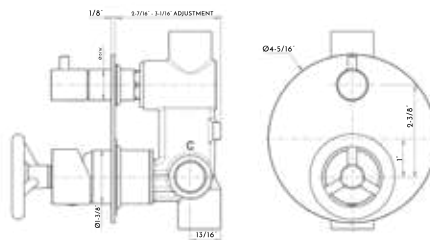
FEATURES

- Handle material: Zinc Alloy
- Hand shower flow rate: 4.2 Bar = 5.04 GPM
- Shower head flow rate: 4.2 Bar = 5.54 GPM

FINISH

- DAX-65150-CR Chrome
- DAX-65150-BL Matt black

SHOWER VALVES



DAX-8030045

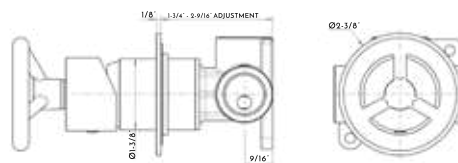
FEATURES

- Brass Material
- Shower Head flow rate: 4.2 Bar = 4.83 GPM
- Hand Shower flow rate: 4.2 Bar = 4.64 GPM
- Installation Type: Concealed

FINISH

- DAX-8030045-CR Chrome
- DAX-8030045-BL Matt black

SHOWER VALVES



DAX-8030046

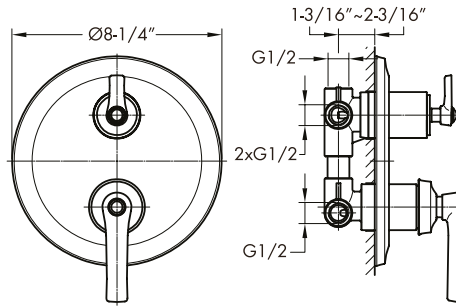
FEATURES

- Brass Material
- Rough in Valve flow rate: 4.2 Bar = 6.12 GPM
- Installation Type: Concealed

FINISH

- DAX-8030046-CR Chrome
- DAX-8030046-BL Matt black

SHOWER VALVES

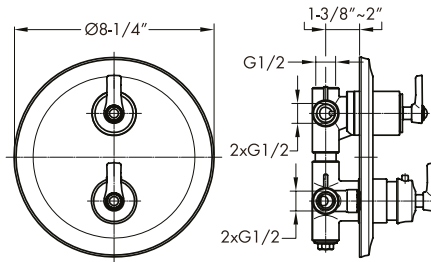


DAX - 79903-CR

FEATURES

- Three functions
- Ceramic cartridge
- Brass body
- Chrome finish

SHOWER VALVES

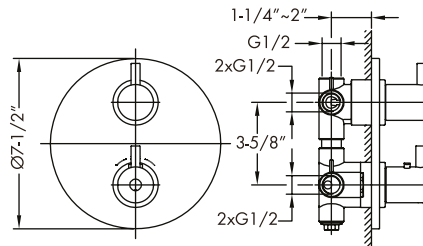


DAX - 79909-CR

FEATURES

- Three functions
- Thermostatic
- Ceramic cartridge
- Brass body
- Chrome finish

SHOWER VALVES



DAX - 8302619

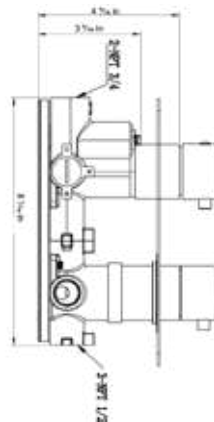
FEATURES

- Three functions
- Thermostatic
- Ceramic cartridge
- Brass body

FINISH

- DAX-8302619-BN Brushed nickel
- DAX-8302619-CR Chrome

SHOWER VALVES



DAX - 1054-RD

FEATURES

- Concealed thermostatic mixer with 2 / 3 functions
- Brass body
- 304 Stainless Steel Round Trim
- Round handles
- UPC Approved

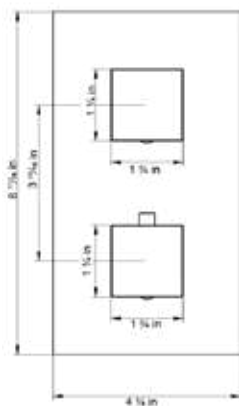
FINISH

- DAX-1054-RD-BL Matt black
- DAX-1054-RD-BN Brushed nickel
- DAX-1054-RD-CR Chrome

INCLUDED

- DAX-1054-01-RD-CR / BN / BL
- DAX-1054-CR / BN / BL

SHOWER VALVES



DAX - 1054-SQ

FEATURES

- Concealed thermostatic mixer with 2 / 3 functions
- Brass body
- 304 Stainless Steel Square Trim
- Square handles
- UPC Approved

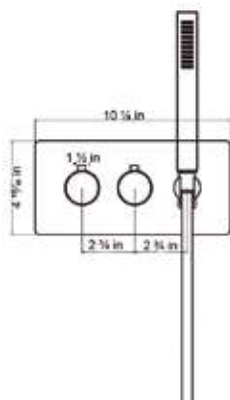
FINISH

- DAX-1054-SQ-CR Chrome
- DAX-1054-SQ-BN Brushed nickel
- DAX-1054-SQ-BL Matt black

INCLUDED

- DAX-1054-OI-RD-CR / BN / BL
- DAX-1054-CR / BN / BL

SHOWER VALVES



DAX - 1004-RD

FEATURES

- Concealed thermostatic mixer with 3 functions
- Brass body
- 304 Stainless Steel Trim Kit
- Round hand shower
- Round Handles
- UPC Approved

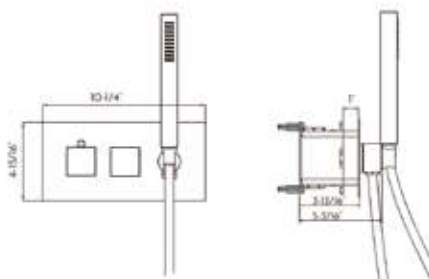
FINISH

- DAX-1004-RD-CR Chrome
- DAX-1004-RD-BN Brushed nickel

INCLUDED

- DAX-1004-OI-CR / BN / BL
- DAX-1004-CR / BN / BL

SHOWER VALVES



DAX - 1004-SQ

FEATURES

- Concealed thermostatic mixer with 3 functions
- Brass body
- 304 Stainless Steel Trim Kit
- Square hand shower
- Square Handles
- UPC Approved

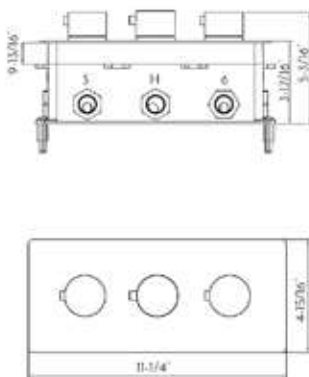
FINISH

- DAX-1004-SQ-CR Chrome

INCLUDED

- DAX-1004-O3-CR
- DAX-1004-CR

SHOWER VALVES



DAX - 1058-RD

FEATURES

- Concealed thermostatic mixer with 4 functions
- Brass body
- 304 Stainless Steel Round Trim
- Round handles
- UPC Approved
- Allow 2 functions work together

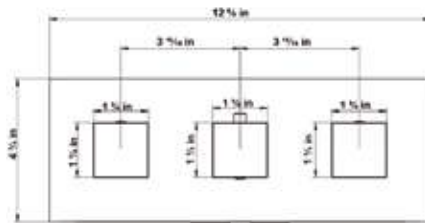
FINISH

- DAX-1058-RD-BN Brushed nickel
- DAX-1058-RD-CR Chrome

INCLUDED

- DAX-1058-OI-CR / BN
- DAX-1058-CR / BN

SHOWER VALVES



DAX - 1058-SQ

FEATURES

- Concealed thermostatic mixer with 4 functions
- Brass body
- 304 Stainless Steel Square Trim
- Square handles
- UPC Approved
- Allow 2 functions work together

FINISH

- DAX-1058-SQ-BN Brushed nickel
- DAX-1058-SQ-CR Chrome

INCLUDED

- DAX-1058-03-CR / BN
- DAX-1058-CR / BN

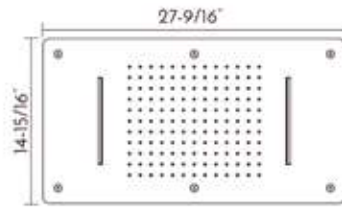
DAX - XXXXXXXXXXXXXXX





SHOWER HEADS
SERIES 14

SHOWER HEADS

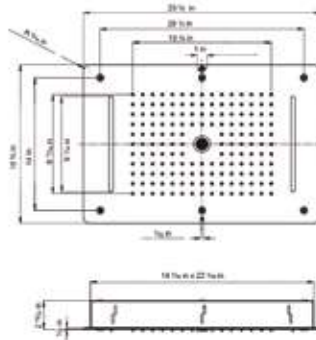
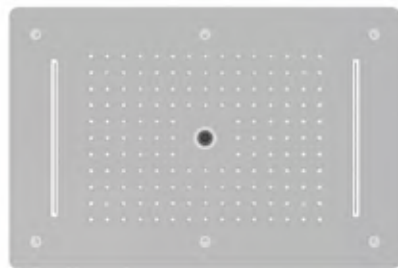


DAX - 5017-CR

FEATURES

- 2 Functions
- Stainless Steel 304
- Silicone Nozzles
- Ceiling mount
- Size W 27-9/16" x H 14-15/16" x D 1 5/8"
- Chrome finish

SHOWER HEADS

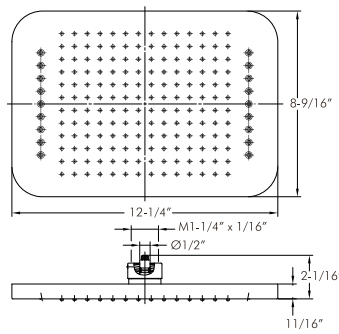


DAX - 5049-CR

FEATURES

- 3 functions
- Stainless Steel 304
- Silicone Nozzles
- Ceiling mount
- LED Light
- Size W 23-5/8" x H 15-3/4" x D 2 13/16"
- Chrome finish

SHOWER HEADS

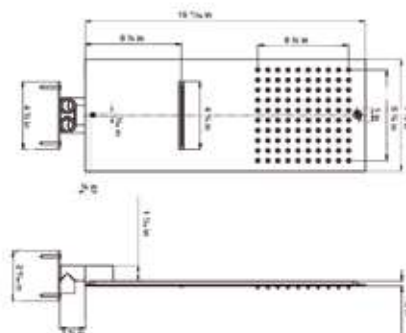


DAX - B16-BN

FEATURES

- 2 functions
- Brass body
- Silicone Nozzles
- Ceiling mount
- Size W 12-1/4" x H 8-9/16" x D 1 1/16"
- Shower arm included
- Brushed Nickel

SHOWER HEADS

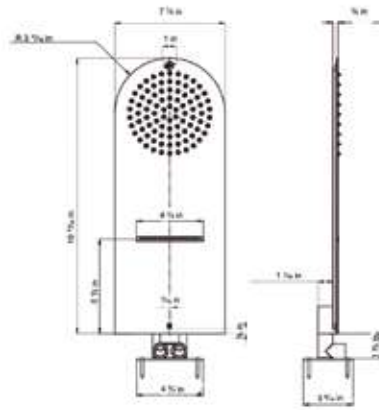


DAX - 9007-CR

FEATURES

- 2 functions
- 304 Stainless steel
- Silicone Nozzles
- UPC approved
- Size W 19 11/16" x H 7/8" x D 3/8"
- Chrome finish

SHOWER HEADS

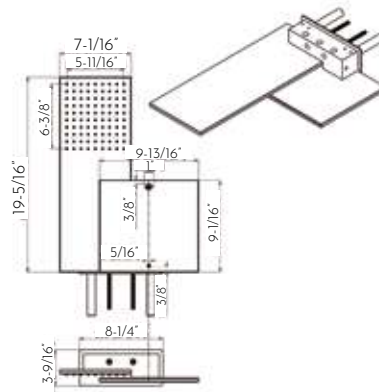


DAX - 9008-CR

FEATURES

- 2 functions
- 304 Stainless steel
- Silicone Nozzles
- Chrome finish
- UPC approved
- Size W 19 11/16" x H 7/8" x D 3/8"

SHOWER HEADS

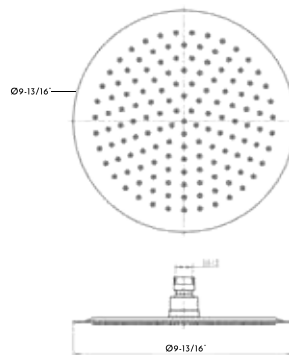
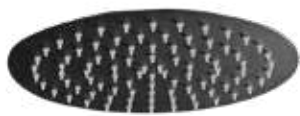


DAX - 9026-CR

FEATURES

- 2 functions
- 304 Stainless steel
- Silicone Nozzles
- Chrome finish
- UPC approved
- Rainshower W 19 5/16" x H 7" x D 3"
- Size W 19 11/16" x H 7/8" x D 3/8"

SHOWER HEADS

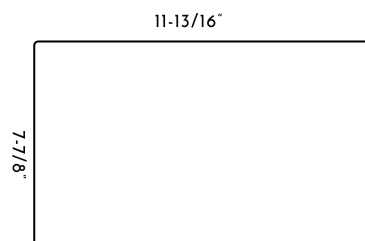
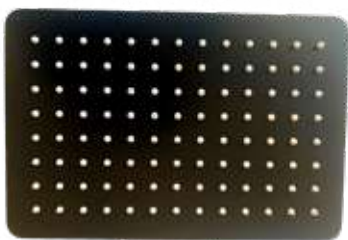


DAX - 51020-BL

FEATURES

- Brass material
- Matt black finish
- Size: 9-3/16"

SHOWER HEADS

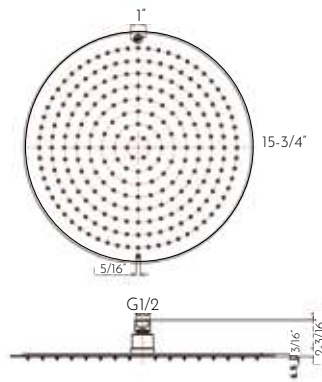
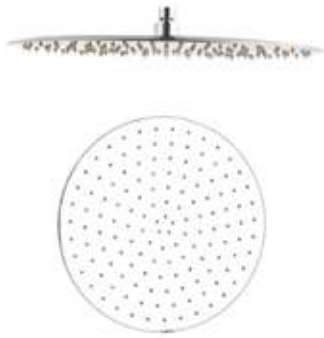


DAX - C2011-BL

FEATURES

- Silicone Nozzles
- Stainless steel body
- Size: 11-13/16" x 7-7/8"
- Shower arm not included (Available)
- Matte Black finish

SHOWER HEADS



DAX-C2015

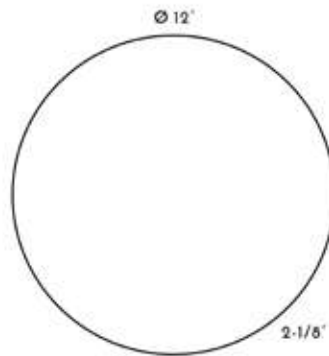
FEATURES

- Silicone Nozzles
- Stainless steel body
- Size $\text{Ø } 15\text{-}3/4\text{''} \times \text{D } 2\text{-}1/8\text{''}$
- Shower arm not included

FINISH

- DAX-C2015-CR Chrome
- DAX-C2015-BN Brushed Nickel

SHOWER HEADS



DAX - C2019

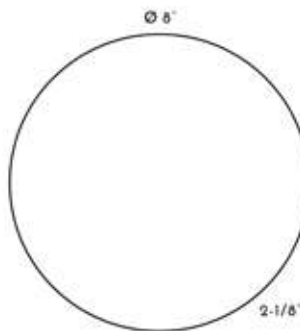
FEATURES

- Silicone Nozzles
- Stainless steel body
- Size $\text{Ø } 12\text{''} \times \text{D } 2\text{-}1/8\text{''}$
- Shower arm not included (Available)

FINISH

- DAX -C2019-CR Chrome
- DAX -C2019-BN Brushed nickel

SHOWER HEADS



DAX - C2025

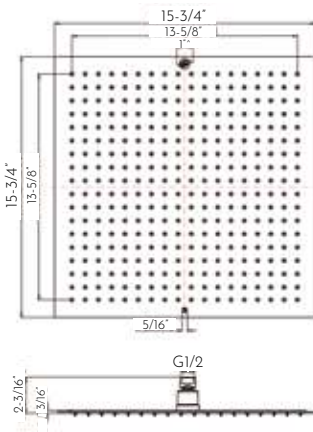
FEATURES

- Silicone Nozzles
- Stainless steel body
- Size $\text{Ø } 7\text{-}15/16\text{''} \times \text{D } 2\text{-}1/8\text{''}$
- Shower arm not included

FINISH

- D-1220-CR Chrome
- D-1220-BN Brushed Nickel

SHOWER HEADS



DAX-C2035

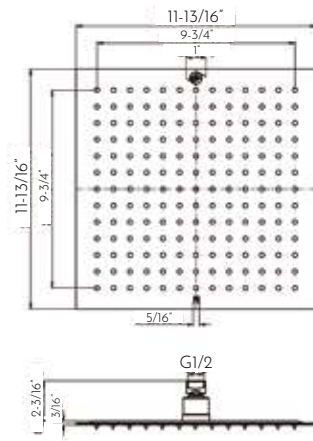
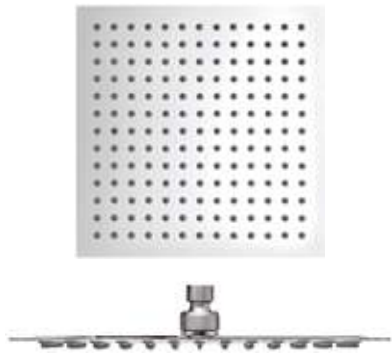
FEATURES

- Silicone Nozzles
- Stainless steel body
- Size $15\text{-}3/4\text{''} \times \text{H } 13\text{-}5/8\text{''} \times \text{D } 2\text{-}1/8\text{''}$
- Shower arm not included

FINISH

- DAX-C2035-CR Chrome
- DAX-C2035-BN Brushed Nickel

SHOWER HEADS



DAX - C2039

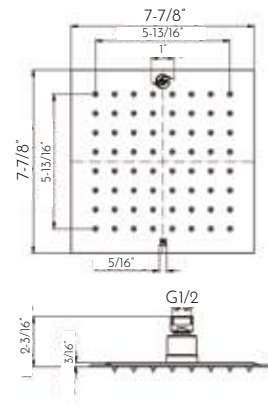
FEATURES

- Silicone Nozzles
- Stainless steel body
- Size 11-13/16" x H 11-13/16" x D 2-1/8"
- Shower arm not included

FINISH

- DAX-C2039-CR Chrome
- DAX-C2039-BN Brushed Nickel
- DAX-C2039-BL Matte Black

SHOWER HEADS



DAX - C2041

FEATURES

- Silicone Nozzles
- Stainless steel body
- Size 8" x H 8" x D 2-1/8"
- Shower arm not included

FINISH

- DAX-C2041-CR Chrome
- DAX-C2041-BN Brushed Nickel

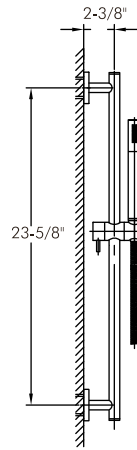
DAX - C2019





15 HAND SHOWERS
SERIES

HAND SHOWERS



DAX - 9516

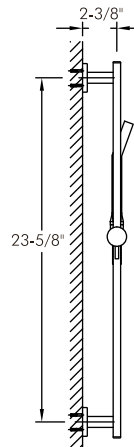
FEATURES

- Brass body
- Adjustable height
- Rail included
- Hose included
- Holder included
- Water connector not included

FINISH

- DAX-9516-CR Chrome

HAND SHOWERS



DAX - 9523

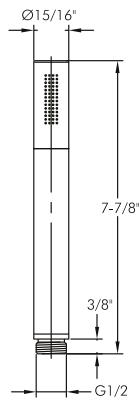
FEATURES

- Brass body
- Adjustable height
- Rail included
- Hose included
- Holder included
- Water connector not included

FINISH

- DAX-9523-CR Chrome

HAND SHOWERS



DAX - 516

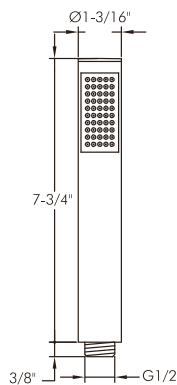
FEATURES

- Brass body
- Hose not included

FINISH

- DAX-516-CR Chrome

HAND SHOWERS



DAX - 520

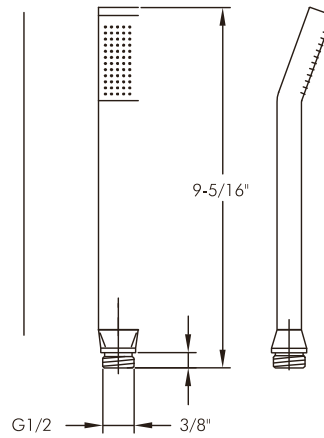
FEATURES

- ABS body
- Hose not included
- Silicone nozzles

FINISH

- DAX-520-CR Chrome

HAND SHOWERS



DAX - 528

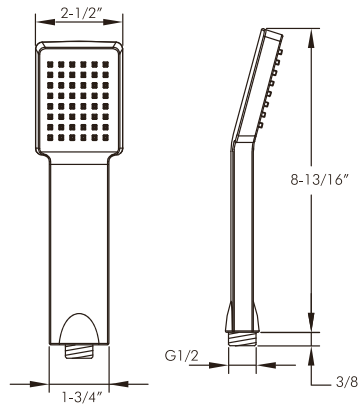
FEATURES

- Brass body
- Chrome finish
- Hose not included

FINISH

- DAX-528-CR Chrome

HAND SHOWERS



DAX - 550

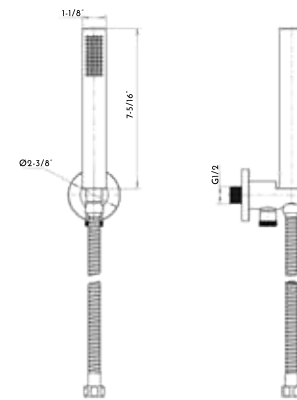
FEATURES

- ABS body
- Hose not included
- Silicone nozzles

FINISH

- DAX - 550-CR Chrome

HAND SHOWERS

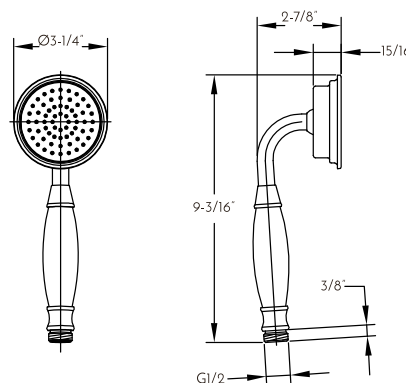


DAX - 70009-BL

FEATURES

- Matte Black finish
- Material: Assy
- Items included: Hand shower + Bracket + Shower hose
- Installation type: wall mounted
- Size: W 2-3/8" x H 7-5/16" x D 7-5/16"
- Silicone nozzles

HAND SHOWERS



DAX - 2083A-CR

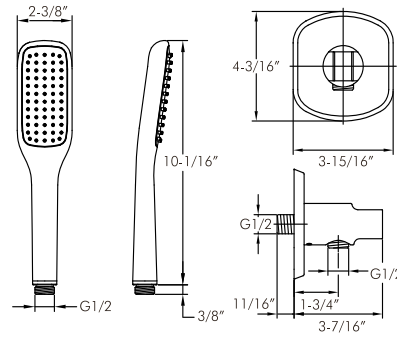
FEATURES

- Brass body
- Hose included
- Holder included
- Water connector not included
- Silicone nozzles

FINISH

- DAX-2083A-CR Chrome

HAND SHOWERS



DAX - 8812

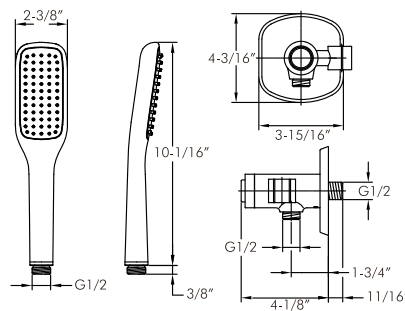
FEATURES

- ABS body
- Hose included
- Holder included
- Water connector not included
- Silicone nozzles

FINISH

- D-8812-CR Chrome
- D-8812-BN Brushed nickel

HAND SHOWERS



DAX - 8817

FEATURES

- ABS body
- Hose included
- Holder included
- Water connector not included
- Silicone nozzles
- DAX ClickOn® system

FINISH

- D-8817-CR Chrome
- D-8817-BN Brushed nickel

HAND SHOWERS



DAX - C2009-BL

FEATURES

- Brass body
- Matte Black finish
- Hose not included

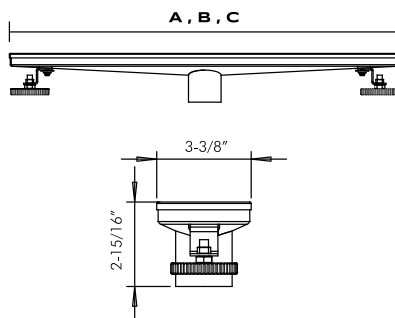
DAX - 516





16 DRAIN SYSTEMS
SERIES

DRAIN SYSTEMS



DR - G06

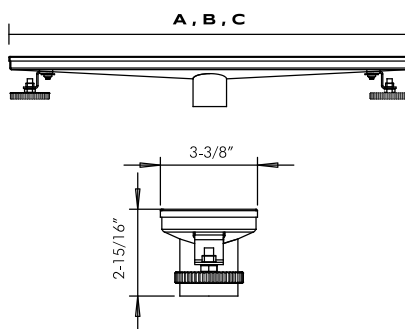
FEATURES

- Stainless steel body
- Brushed stainless steel finish

SIZES

- A. DR12-G06 W 12" x H 3-3/8" x D 2-15/16"
- B. DR24-G06 W 24" x H 3-3/8" x D 2-15/16"
- C. DR36-G06 W 36" x H 3-3/8" x D 2-15/16"
- D. DR48-G06 W 48" x H 3-3/8" x D 2-15/16"

DRAIN SYSTEMS



DR - H01

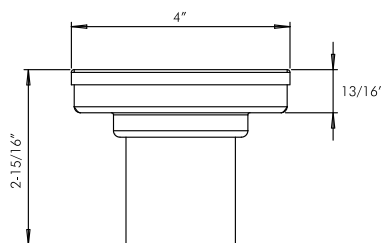
FEATURES

- Stainless steel body
- Brushed stainless steel finish

SIZES

- A. DR12-G06 W 12" x H 3-3/8" x D 2-15/16"
- B. DR24-H01 W 24" x H 3-3/8" x D 2-15/16"
- C. DR36-H01 W 36" x H 3-3/8" x D 2-15/16"
- D. DR48-H01 W 48" x H 3-3/8" x D 2-15/16"

DRAIN SYSTEMS



ZS3S01

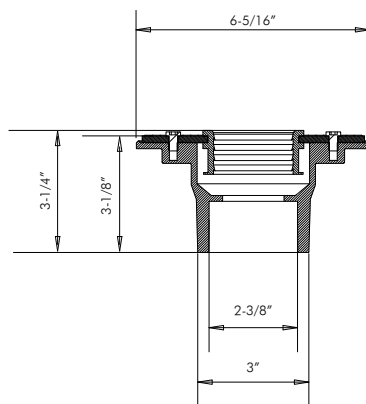
FEATURES

- Stainless steel body
- Size W4" x H 4" x D 2-15/16"

FINISH

- ZS3S01 BN Brushed nickel
- ZS3S01 CR Chrome

DRAIN SYSTEMS

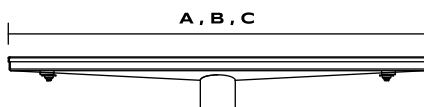


RT2343

FEATURES

- Stainless steel body
- Brushed stainless steel finish
- Size Ø 6-5/16" x D 3-1/4"

DRAIN SYSTEMS



RT01

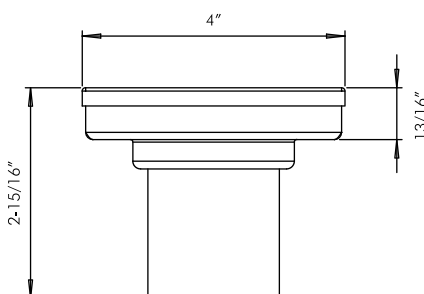
FEATURES

- Stainless steel body
- Brushed stainless steel finish

SIZES

- A. RT0124 W 24" X H 3-3/8" X D 2-15/16"
- B. RT0136 W 36" X H 3-3/8" X D 2-15/16"
- C. RT0148 W 48" X H 3-3/8" X D 2-15/16"

DRAIN SYSTEMS

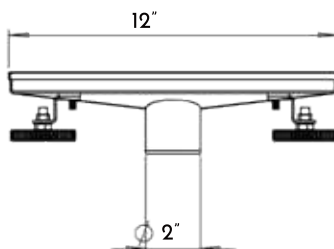


RTZS3T01

FEATURES

- Stainless steel body
- Brushed stainless steel finish
- Size W 4" x H 4" x D 2-15/16"

DRAIN SYSTEMS

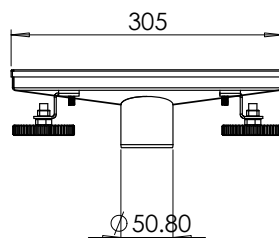


DR12-G06

FEATURES

- Stainless steel body
- Polished Finish
- Size W 12" x H 2-15/16" x D 13/16"
- Flow Capability: 45L/M
- Outside Diameter 2"
- cUPC Approved

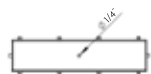
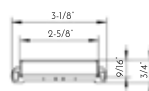
DRAIN SYSTEMS



DR12-H01

FEATURES

- Stainless steel body
- Flow Capability: 45L/M
- Outside Diameter 2"
- cUPC Approved
- Stainless Steel Finish
- Size W 12" x H 2-15/16" x D 13/16"

**RT0112****FEATURES**

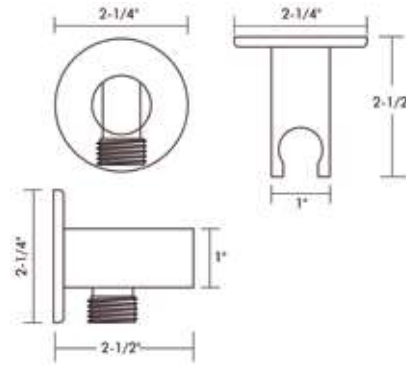
- Stainless steel body
- Brushed stainless steel finish
- Size 12" x 3-3/8"

DAX - 3011-CR



17 SHOWER ACCESORIES
SERIES

SHOWER HOLDER



D - B52

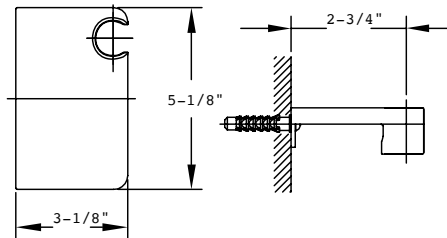
FEATURES

- Handshower holder
- Brass body
- Water connection
- UPC approved

FINISH

- D-B52-CR Chrome
- D-B52-BN Brushed nickel

SHOWER HOLDER



DAX - 8816

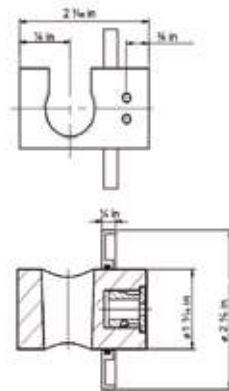
FEATURES

- Handshower holder
- Brass body

FINISH

- DAX-8816-CR Chrome

SHOWER HOLDER



DAX - 044

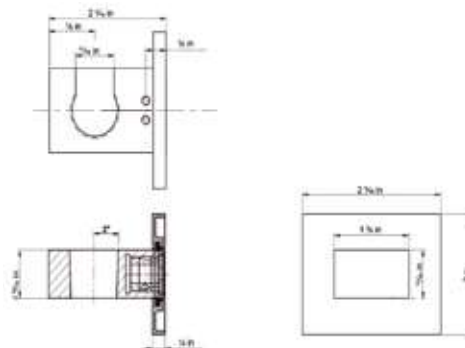
FEATURES

- Shower holder
- Brass body
- UPC approved

FINISH

- DAX-044-CR Chrome
- DAX-044-BN Brushed nickel

SHOWER HOLDER



DAX - 080

FEATURES

- Shower holder
- Brass body
- UPC approved

FINISH

- DAX-080-CR Chrome
- DAX-080-BN Brushed nickel

SHOWER ARMS



DAX - 1011-325

FEATURES

- Square shaped
- Brass body
- Length 12"
- UPC approved

FINISH

- DAX-1011-325-CR Chrome
- DAX-1011-325-BN Brushed nickel

SHOWER ARMS



DAX - 1011-375

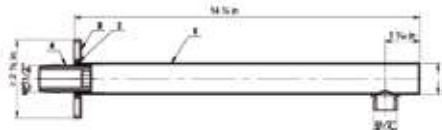
FEATURES

- Square shaped
- Brass body
- Length 15"
- UPC approved

FINISH

- DAX-1011-375-CR Chrome
- DAX-1011-375-BN Brushed nickel

SHOWER ARMS



DAX - 1053-365

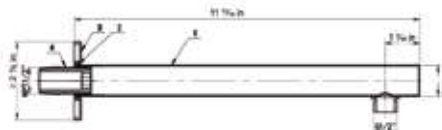
FEATURES

- Round shape
- Brass body
- Length 15"
- UPC approved

FINISH

- DAX-1053-365-CR Chrome
- DAX-1053-365-BN Brushed nickel

SHOWER ARMS



DAX - 1053-300

FEATURES

- Round shape
- Brass body
- Length 12"
- UPC approved

FINISH

- DAX-1053-300-CR Chrome
- DAX-1053-300-BN Brushed nickel

SHOWER ARMS



DAX - 1011-450

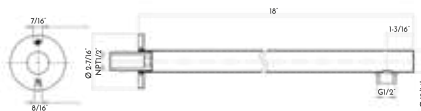
FEATURES

- Square Shaped
- Brass body
- Length 18"
- UPC approved

FINISH

- DAX-1011-450-BL Matt black
- DAX-1011-450-BN Brushed nickel
- DAX-1011-450-CR Chrome

SHOWER ARMS



DAX - 1053-450

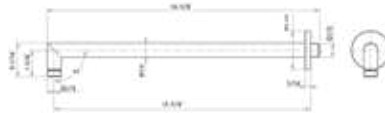
FEATURES

- Round shape
- Brass body
- Length 18"
- UPC approved

FINISH

- DAX-1053-450-BL Matt black
- DAX-1053-450-BN Brushed nickel
- DAX-1053-450-CR Chrome

SHOWER ARMS

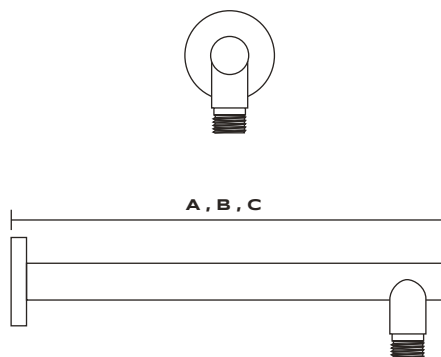


DAX - 53002-BL

FEATURES

- Brass Material
- Matte Black Finish
- Size 16.61" x 2.79" x 2.36"
- Installation: Wall Mount

SHOWER ARMS



D - FO4

FEATURES

- Shower arm
- Brass body

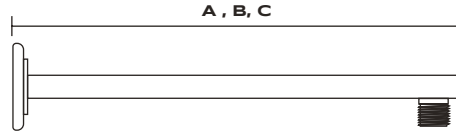
SIZES

- A. D-FO4-12 Length 12"
- B. D-FO4-15 Length 15"
- C. D-FO4-18 Length 18"

FINISH

- D-FO4-12-CR
- D-FO4-12-BN
- D-FO4-15-CR
- D-FO4-15-BN
- D-FO4-18-CR
- D-FO4-18-BN

SHOWER ARMS



D - F20

FEATURES

- Shower arm
- Brass body

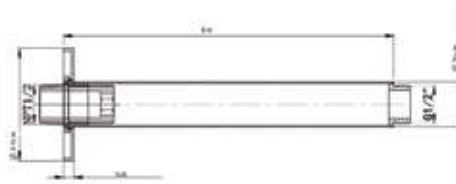
SIZES

- A. D-F20-12 LENGTH 12"
- B. D-F20-15 LENGTH 15"
- C. D-F20-18 LENGTH 18"

FINISH

- D-F20-12-CR
- D-F20-12-BN
- D-F20-15-CR
- D-F20-18-CR
- D-F20-18-BN

SHOWER ARMS



DAX - 1016-200

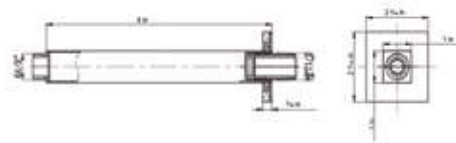
FEATURES

- Ceiling mount
- Round shape
- Brass body
- Length 12"
- UPC approved

FINISH

- DAX-1016-200-CR Chrome
- DAX-1016-200-BN Brushed nickel

SHOWER ARMS



DAX - 1012-200

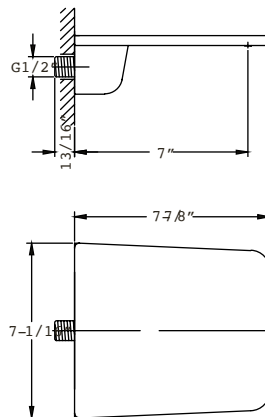
FEATURES

- Ceiling mount
- Square shaped
- Brass body
- Length 8"
- UPC approved

FINISH

- DAX-1012-200-CR Chrome
- DAX-1012-200-BN Brushed nickel

BATH TUB SPOUTS



DAX - Z25-CR

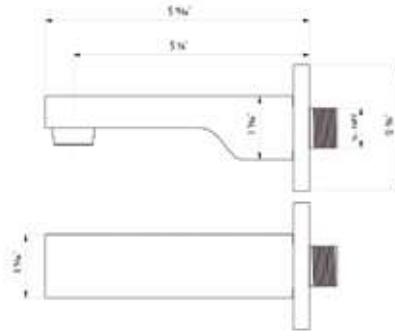
FEATURES

- Tub Filler Spout
- Brass body

FINISH

- DAX-Z25-CR Chrome

BATHTUB SPOUTS



DAX - Z2552

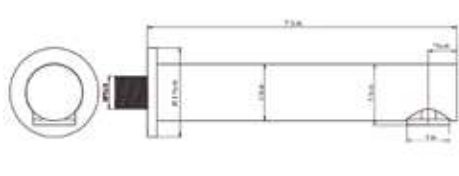
FEATURES

- Tub Filler Spout
- Brass body
- Cooper Alloy
- Square shape

FINISH

- DAX-Z2552-CR Chrome
- DAX-Z2552-BN Brushed nickel

BATHTUB SPOUTS



DAX - 1027

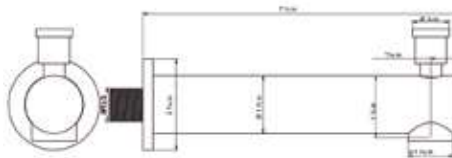
FEATURES

- Brass body
- UPC approved
- Round

FINISH

- DAX-1027- CR Chrome
- DAX-1027- BN Brushed nickel

BATHTUB SPOUTS



DAX - 0127-1

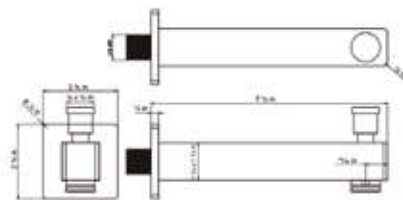
FEATURES

- With Diverter
- Brass body
- Round

FINISH

- DAX-0127-1-CR Chrome
- DAX-0127-1-BN Brushed nickel

BATHTUB SPOUTS



DAX - 0130-1

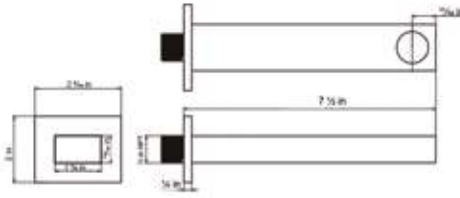
FEATURES

- With Diverter
- Brass body
- Square

FINISH

- DAX-0130-1-CR Chrome
- DAX-0130-1-BN Brushed nickel

BATHTUB SPOUTS



DAX - 1032

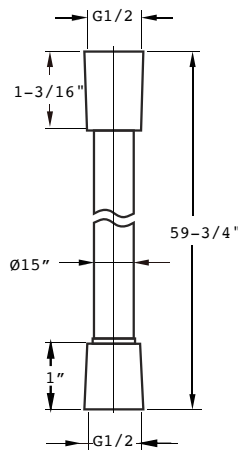
FEATURES

- Brass body
- UPC approved
- Square shape

FINISH

- DAX -1032-CR Chrome
- DAX -1032-BN Brushed nickel

HAND SHOWER HOSES



D - 8861B

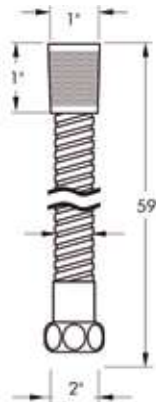
FEATURES

- Handshower hose
- Rubber body
- Standard connection

FINISH

- D-8861B-CR Chrome

HAND SHOWER HOSES



D - H34

FEATURES

- Handshower hose
- Metal body
- Standard connection

FINISH

- D-H34-CR Chrome
- D-H34-BN Brushed nickel

DAX - 1008

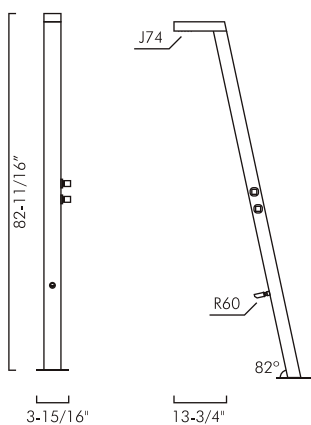




OUTDOOR SHOWERS
SERIES

18

OUTDOOR SHOWERS



DAX - S307

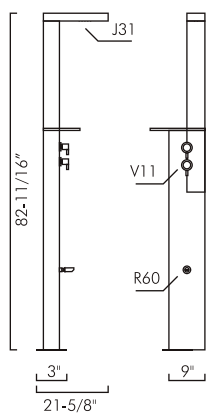
FEATURES

- Stainless steel body
- Rainshower
- Dual function
- Wooden base not included

FINISH

- DAX-S307-CR Chrome
- DAX-S307-BN Brushed nickel

OUTDOOR SHOWERS



DAX - S308

FEATURES

- Stainless steel body
- Rainshower
- Dual function
- Wooden base not included

FINISH

- DAX-S308-CR Chrome
- DAX-S308-BN Brushed nickel

DAX - S308



DAX - S308



The information contained in this catalog is to be used only as a guide to assist with product selection. All reasonable efforts have been made to ensure the accuracy of the information. However, DAX cannot be held responsible for any errors and/or omissions. DAX does not warrant the accuracy and reserves the right to make changes to the catalog and products at any time without notice.

www.daxib.com