

# STAINLESS STEEL 2 PIECE BALL VALVE

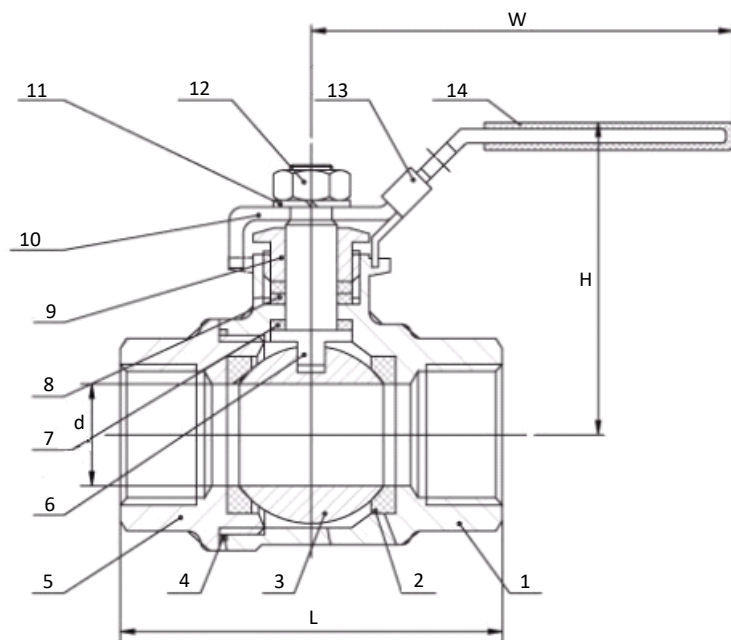
## WATERMARK APPROVED

### MODEL - SSRV2



### FEATURES AND BENEFITS

- For Potable Water Applications
- WaterMark Approved
- 2 Piece Stainless Steel Construction
- Threaded BSPT Ends
- Full Bore
- Lockable Lever Handle
- Blowout Proof Stem
- Investment Cast Body
- Pressure Rating: 1000PSI (PN63)
- Working Temperature: -20°C~200°C



| NO. | PART NAME      | MATERIAL       |
|-----|----------------|----------------|
| 1   | Body           | ASTM A351-CF8M |
| 2   | Cap            | ASTM A351-CF8M |
| 3   | Ball           | ASTM A351-CF8M |
| 4   | Stem           | ASTM A276-316  |
| 5   | Gland          | AISI 304       |
| 6   | Ball Seat      | RTFE           |
| 7   | Body Seal      | PTFE           |
| 8   | Packing        | PTFE           |
| 9   | Thrust Washer  | PTFE           |
| 10  | Spring washer  | AISI 304       |
| 11  | Nut            | AISI 304       |
| 12  | Handle         | AISI 304       |
| 13  | Handle Sleeve  | PVC            |
| 14  | Locking Device | AISI 304       |

| DIMENSIONS |      |      |     |     |     |     |      |
|------------|------|------|-----|-----|-----|-----|------|
| DN         | Inch | d    | L   | H   | W   | N.m | (Kg) |
| 8          | ¼"   | 12.5 | 50  | 49  | 106 | 4   | 0.2  |
| 10         | ⅜"   | 12.5 | 50  | 49  | 106 | 4   | 0.2  |
| 15         | ½"   | 15   | 56  | 51  | 104 | 5   | 0.3  |
| 20         | ¾"   | 20   | 66  | 58  | 116 | 8   | 0.4  |
| 25         | 1"   | 25   | 79  | 73  | 148 | 10  | 0.7  |
| 32         | 1-¼" | 32   | 91  | 79  | 148 | 14  | 1.0  |
| 40         | 1-½" | 38   | 99  | 85  | 182 | 25  | 1.3  |
| 50         | 2"   | 50   | 121 | 95  | 182 | 40  | 2.1  |
| 65         | 2-½" | 65   | 147 | 126 | 252 | 48  | 3.8  |
| 80         | 3"   | 76   | 173 | 138 | 252 | 80  | 5.7  |
| 100        | 4"   | 94   | 222 | 158 | 283 | 103 | 10.7 |

