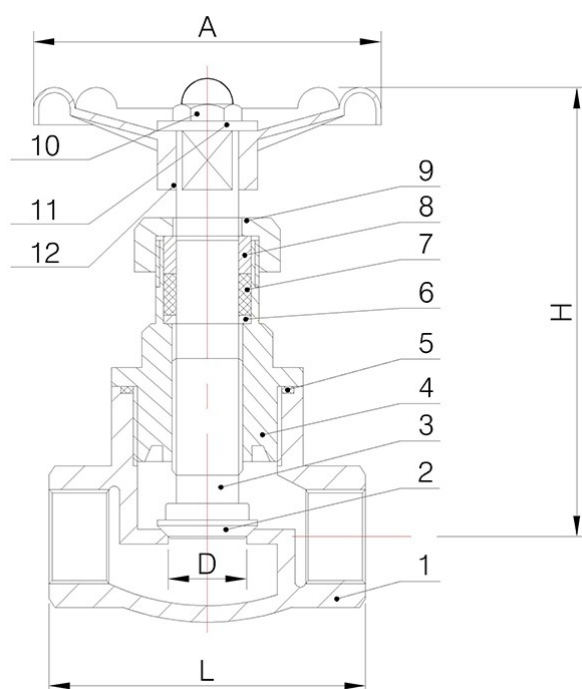


STAINLESS STEEL GLOBE VALVE HANDWHEEL OPERATOR 15 - 50MM MODEL - SS2028



FEATURES AND BENEFITS

- For Industrial, Chemical & General Applications
- 316 S/S Construction
- Threaded BSPT Ends
- Blowout Proof Stem
- Investment Cast Body
- Pressure Rating: 200PSI WOG
- Working Temperature: -20°C~200°C
- Testing to API598



NO.	PART NAME	MATERIAL
1	Body	CF8M
2	Disc	SS316
3	Stem	SS316
4	Cap	CF8M
5	Gasket	PTFE
6	Washer	SS304
7	Stem Packing	PTFE
8	Ring	SS304
9	Gland Ring	SS304
10	Wheel Nut	SS304
11	Plate	SS304
12	Hand Wheel	Aluminium Alloy

DIMENSIONS					
DN	D	L	H	A	Kg
15	15	67	79	65	0.37
20	20	75	91	77	0.49
25	25	85	106	77	0.66
32	32	101	125	97	1.16
40	40	115	136	97	1.44
50	50	136	146	97	2.16

APPLICATIONS

Challenger Valves and Actuators are the **“Right Choice for Valves and Actuation”** when quality matters.

Servicing industries such as :

Water & Waste Water, Mining, Desalination, Pumping, Industrial Processing, Irrigation, Materials Handling and Chemical Services.