

EXTENSIONS TO SUIT CHALLENGER STAINLESS STEEL KNIFE GATE VALVE KGV SERIES



FEATURES AND BENEFITS

- This extension allows operation of knife gate valves in pits or with elevated operating areas.
- Extensions are standard in stainless steel 316, other materials available upon request.
- Options and accessories for this arrangement include position dial indicators torque limiters, key-caps, chain wheels and input stop boxes.
- Available in lengths 100mm up to 4000mm. Longer lengths may be available upon request.
- Extensions are available with wall brackets to improve the extension stability.
- When ordering this extension, specify the required length from the centreline of the valve to the top of the actuator (X) or from the top of the valve to the actuator (Z).

OPTIONS AND ACCESSORIES



Torque Limiter

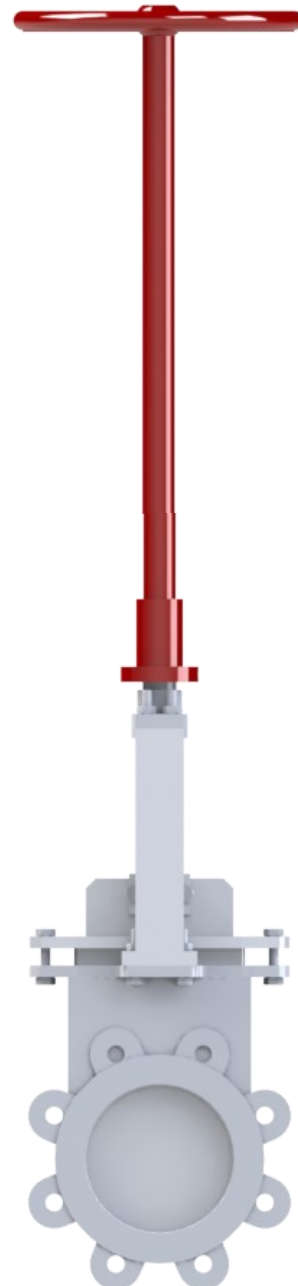
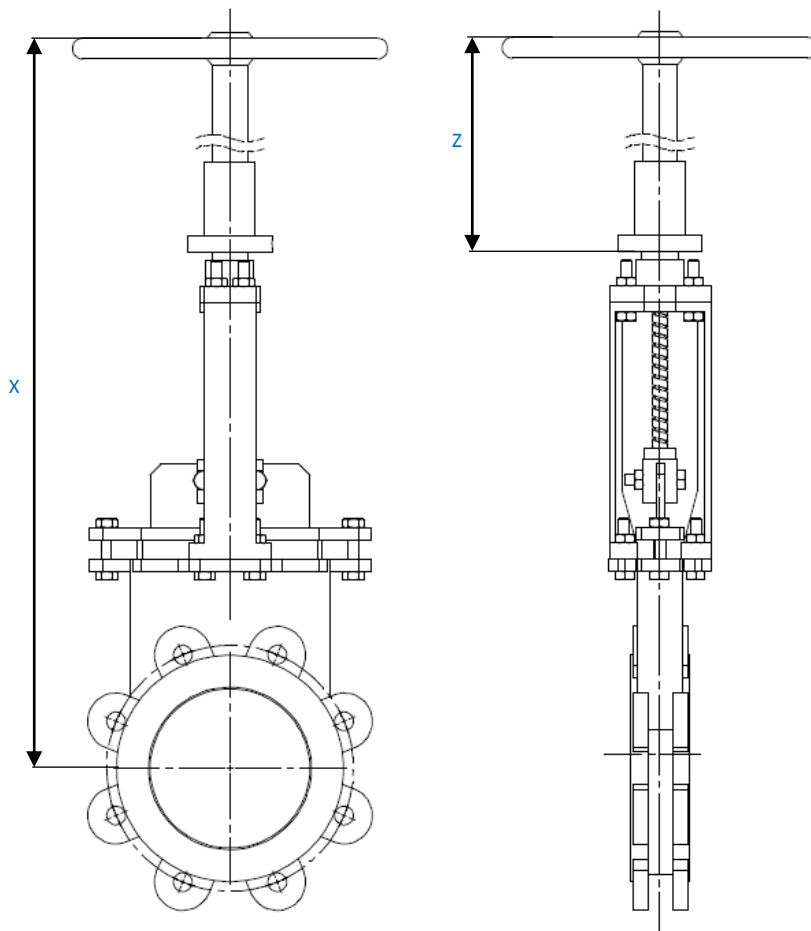


Key-Cap



Hand-Wheel

EXTENSION TYPE F

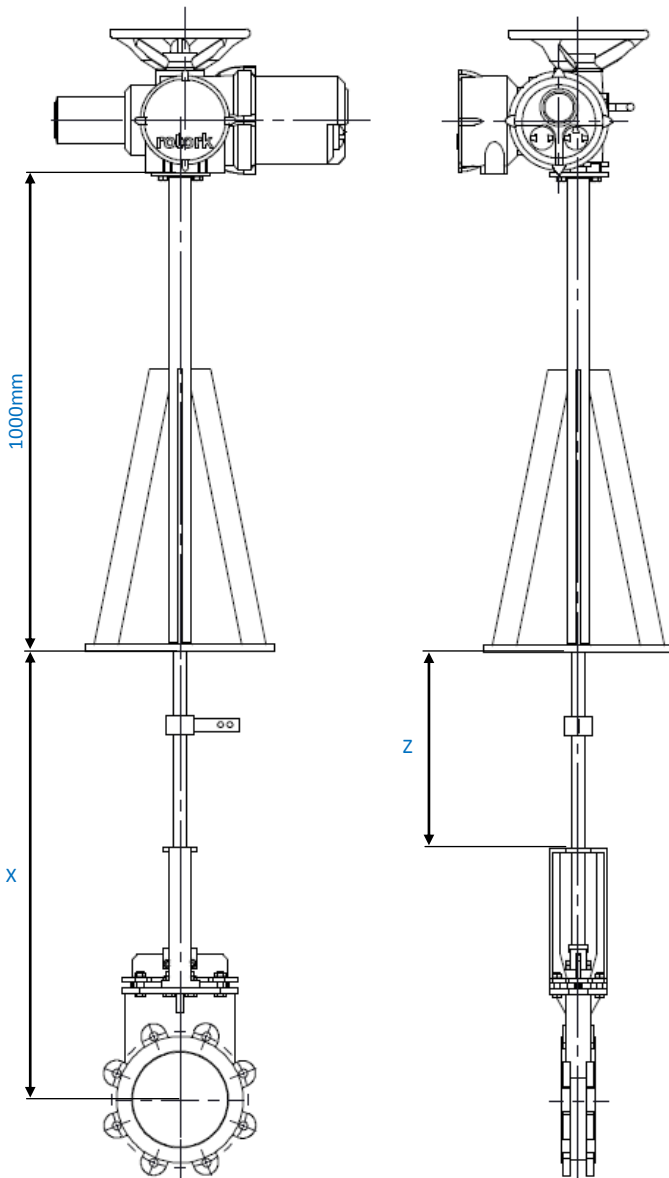


EXTENSIONS TO SUIT CHALLENGER STAINLESS STEEL KNIFE GATE VALVE KGV SERIES



FEATURES AND BENEFITS

- This extension allows operation of knife gate valves in pits or with elevated operating areas.
- Extensions spindles and pedestals are standard in stainless steel 316, other materials available upon request.
- Options and accessories for this arrangement include bevel, spur gearboxes and multi turn actuators.
- Lengths manufactured to clients specifications.
- Extensions are available with wall brackets to improve the extension stability .
- Pedestals are standard as 1000mm in length.
- When ordering this extension, specify the required length from the centreline of the valve to the ground level (X) or from the top of the valve to the ground level (Z)



EXTENSION TYPE G

