

# EXTENSIONS TO SUIT CHALLENGER RESILIENT SEAT BUTTERFLY VALVE USSE/WSSE/LSSE SERIES



## FEATURES AND BENEFITS

- This extension arrangement is used when the gearbox is required for above ground service.
- The extension allows operation of butterfly valves in pits, buried or with elevated operating areas.
- Having the gearbox above ground helps prevent operators from damaging the gearbox from a torque input overload.
- It also provides an accurate and cost effective position indication of the valve.
- Extensions are standard in galvanized steel for a cost effective solution or stainless steel 316. Other materials available upon request.
- Options and accessories for this arrangement include limit switch, torque limiters, key-caps, chain wheels and input stop boxes.
- Available in lengths 100mm up to 4000mm. Longer lengths may be available upon request.
- When ordering this extension, specify the required length from the centreline of the valve to the bottom of the actuator (X) or from the top of the mounting pad to the bottom of the actuator (Z).

## OPTIONS AND ACCESSORIES



Torque Limiter



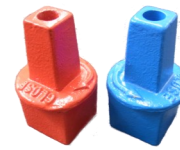
Input Stop Box



Limit Switch



Hand-Wheel

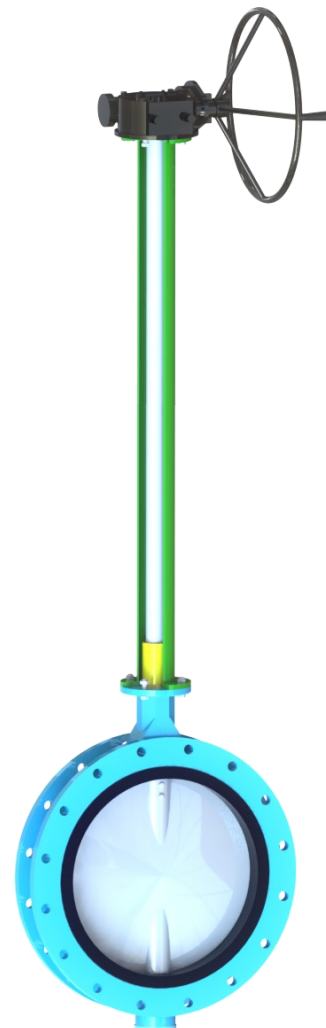
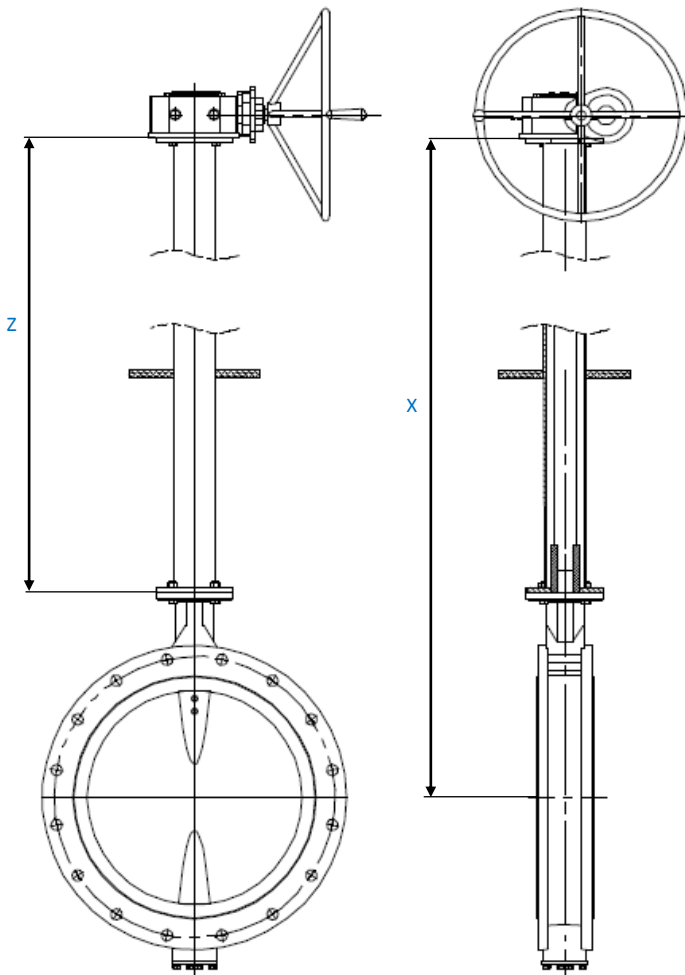


Key-Cap



Chain-Wheel

## EXTENSION TYPE A



# EXTENSIONS TO SUIT CHALLENGER RESILIENT SEAT BUTTERFLY VALVE USSE/WSSE/LSSE SERIES



## FEATURES AND BENEFITS

- This extension arrangement is used when the butterfly valve is required to be in a horizontal position.
- Having the gearbox below ground level allows the operating drive shaft area to be minimal and enclosed.
- The extension allows operation of butterfly valves in pits, buried or with elevated operating areas.
- Extensions are standard in galvanized mild steel for a cost effective solution or in stainless steel 316. Other materials available upon request.
- Options and accessories for this arrangement include position dial indicators, torque limiters, key-caps, chain wheels and input stop boxes.
- Available in lengths 100mm up to 4000mm. Longer lengths may be available upon request.
- Optional uPVC guides are available upon request for additional stability and protection.
- When ordering this extension, specify the required length from the centreline of the valve to the top of the actuator (X) or from the top of the gearbox to the tip of the key cap (Z).

## OPTIONS AND ACCESSORIES



Torque Limiter



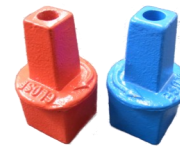
Input Stop Box



Limit Switch



Hand-Wheel

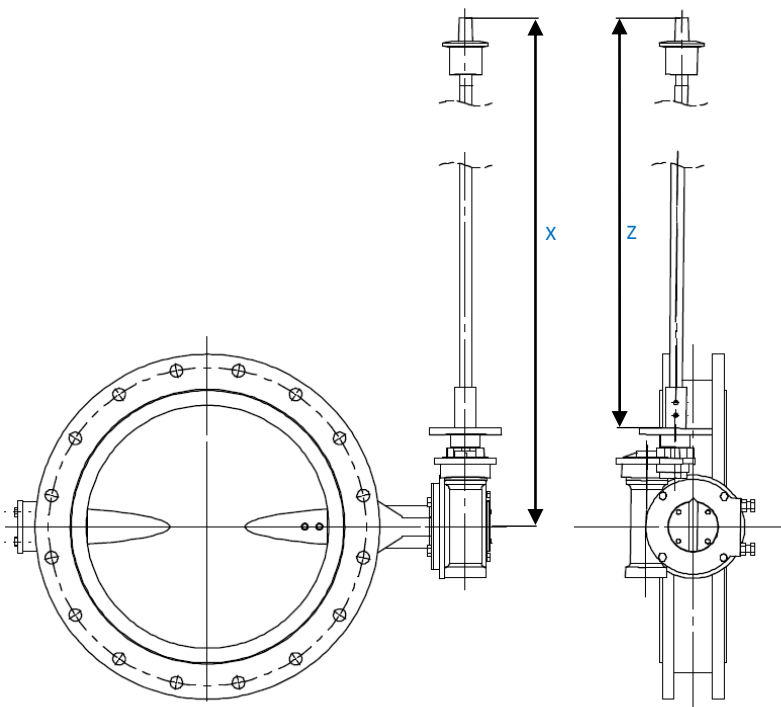


Key-Cap



Chain-Wheel

## EXTENSION TYPE B



# EXTENSIONS TO SUIT CHALLENGER RESILIENT SEAT BUTTERFLY VALVE USSE/WSSE/LSSE SERIES



## FEATURES AND BENEFITS

- The extension allows operation of butterfly valves in pits or with elevated operating areas.
- Extensions are standard in galvanized mild steel for a cost effective solution or stainless steel 316. Other materials available upon request.
- Options and accessories for this arrangement include worm gear operators, pneumatic and electric actuators, torque limiters, key-caps, and input stop boxes.
- Lengths manufactured to clients specifications.
- Acts as a cover for all moving parts.
- When ordering this extension, specify the required length from the centreline of the valve to ground level (X) or from the top of the mounting pad to ground level (Z).

## OPTIONS AND ACCESSORIES



Gearbox Operator    Pneumatic Actuator    Electric Actuator

## EXTENSION TYPE C

